

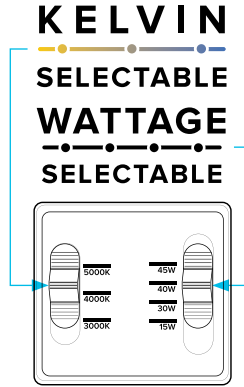
Key Features & Benefits:

- Kelvin & Wattage Selectable
- 1–10V Dimmable with 12V AUX
- UV Stabilized & Powder Coated Finish
- High Impact UV Protected Polycarbonate Lens

Product Specifications:

Selectable Wattage: 15W–30W–40W–45W
 Selectable Kelvin: 3000K–4000K–5000K
 Lumen Output: Up to 6,525 Lumens
 Efficacy (lm/W): Up to 145 Lumens per Watt
 CRI: >70
 Power Frequency: 50/60Hz
 Power Factor: >0.95
 Operating Temperature:
 -40°F to 104°F (-40°C to 40°C)
 Input Voltage: 120–277 VAC
 Life Span: Estimate L70 Lifetime 140,000 hrs
 Calculated Per TM21
 Warranty: 5 Year
 Product Weight: 8.25 lbs

Project: _____ Date: _____
 Catalog #: _____
 Notes: _____



Ordering Guide:

ESL	TYPE	SELECTABLE WATTAGE	GENERATION	SELECTABLE KELVIN	OPTIONS
ESL	WP	1545W	5	3050	
	(WP) Wall Pack	(1545) 15W–30W–40W–45W	(5) Generation 5	(3050) 3000K–4000K–5000K	

FACTORY INSTALLED OPTIONS

ESL-EMG-SL1-OTB-9W	Emergency Back Up Unit
ESL-ACCS-PC-001	Photocell

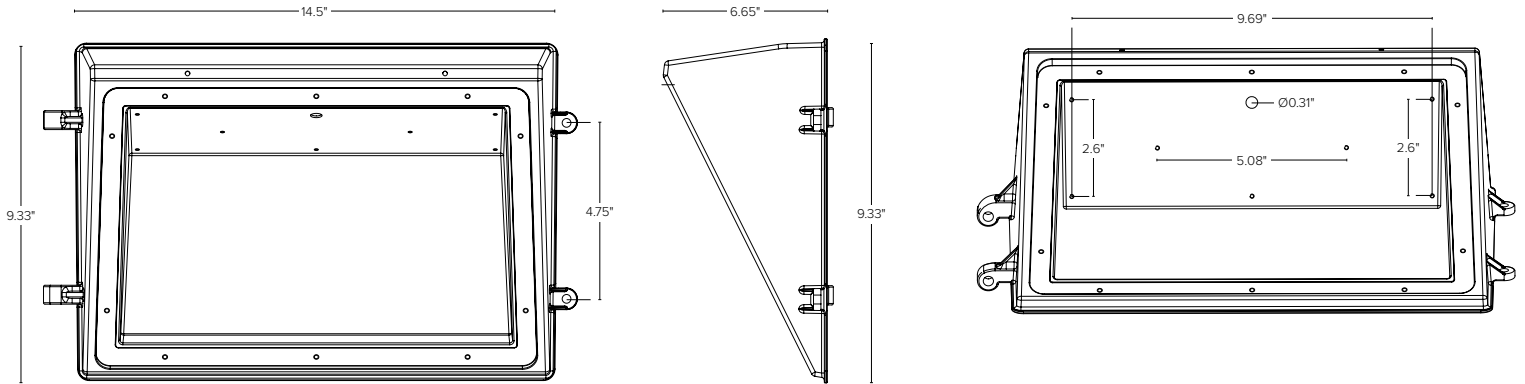
Catalog Data:

ITEM#	SELECTABLE WATTAGE	SELECTABLE KELVIN	LUMENS	EFFICACY lm/W	INPUT VOLTAGE	DIMENSIONS (LxWxH)	DLC OPL CODE
ESL-WP-1545W-53050	15W–30W–40W–45W	3000K–4000K–5000K	6,016	133	120–277 VAC	14.5"x9.33"x6.65"	S-HCX8JW
ESL-WP-30100W-53050	30W–60W–90W–100W	3000K–4000K–5000K	13,422	135	120–277 VAC	14.5"x9.33"x6.65"	S-6R03ON

Lumen Ambient Temperature (LAT) Multipliers:

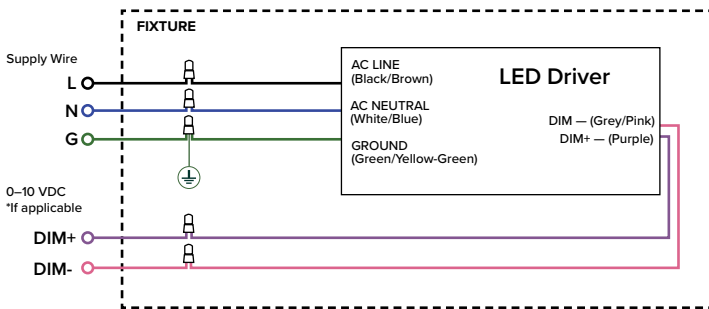
AMBIENT	LUMEN MULTIPLIER
0 °C 32 °F	1.02
10 °C 50 °F	1.01
20 °C 68 °F	1.00
25 °C 77 °F	1.00
30 °C 86 °F	1.00
40 °C 104 °F	0.99
50 °C 122 °F	0.96

Fixture Dimensions:

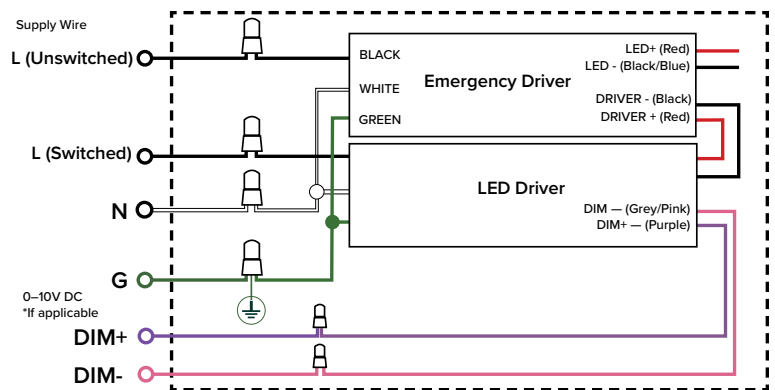


Electrical Wiring Diagrams:

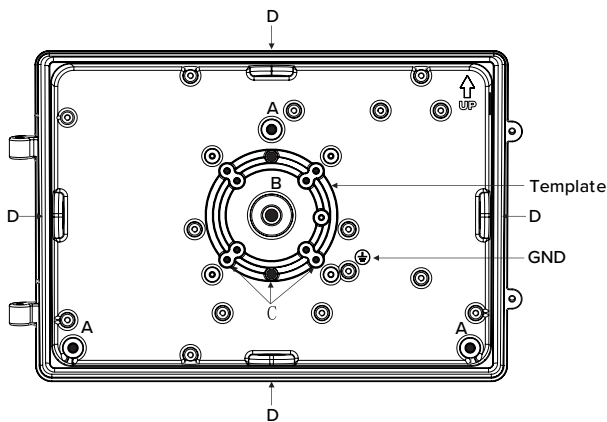
Wiring Diagram:



Wiring Diagram (With EM Backup)



Backplate Diagram:



- A — \varnothing 5/16" Knockouts
- B — \varnothing 9/16" Knockouts
- C — Knockouts for #10 screw
- D — 1/2" NPS tapped holes.