

Key Features & Benefits:

- Kelvin & Wattage Selectable
- 1–10V Dimmable with 12V AUX
- UV Stabilized & Powder Coated Finish
- High Impact UV Protected Polycarbonate Lens

Project: _____ Date: _____

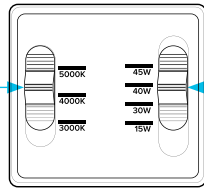
Catalog #: _____

Notes: _____

Product Specifications:

Power: Selectable Wattage
 15W, 30W, 40W, 45W
 Lumen Output: Up to 6,525 Lumens
 Efficacy (lm/W): Up to 145 Lumens per Watt
 Kelvin: Selectable 3000K, 4000K, 5000K
 CRI: >70
 Power Frequency: 50/60Hz
 Power Factor: >0.95
 Operating Temperature: -40°F–104°F (-40°C–40°C)
 Input Voltage: 120–277VAC
 Life Span: Estimate L70 Lifetime 140,000 hrs
 Calculated Per TM21
 Warranty: 5 Year Warranty
 Product Weight: 8.25 lbs

KELVIN
SELECTABLE
WATTAGE
SELECTABLE



Ordering Guide:

ESL	TYPE	WATTAGE	GENERATION	KELVIN	OPTIONS
ESL	WP (WP) Wall Pack	(yy)W (1545) Selectable 15W, 30W, 40W, 45W (30100) Selectable 30W, 60W, 90W, 100W	5 (5) Generation 5	(xx) (3050) Selectable 3000K, 4000K, 5000K	

FACTORY INSTALLED OPTIONS

ESL-EMG-SL1-OTB-9W	Emergency Back Up Unit
ESL-ACCS-PC-001	Photocell

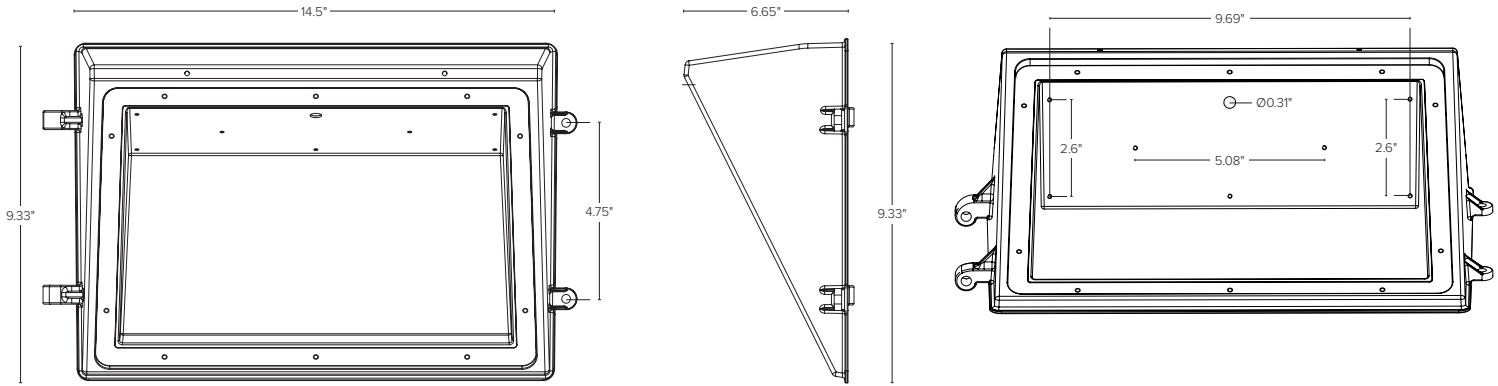
Catalog Data:

ITEM#	WATTAGE	KELVIN (xx)	LUMENS	EFFICACY lm/W	INPUT VOLTAGE	DIMENSIONS (LxWxH)
ESL-WP-1545W-53050	Selectable 15W, 30W, 40W, 45W	Selectable 3000K, 4000K, 5000K	6,525	145	120–277VAC	14.5"x9.33"x6.65"
ESL-WP-30100W-53050	Selectable 30W, 60W, 90W, 100W		14,120	141		

Lumen Ambient Temperature (LAT) Multipliers:

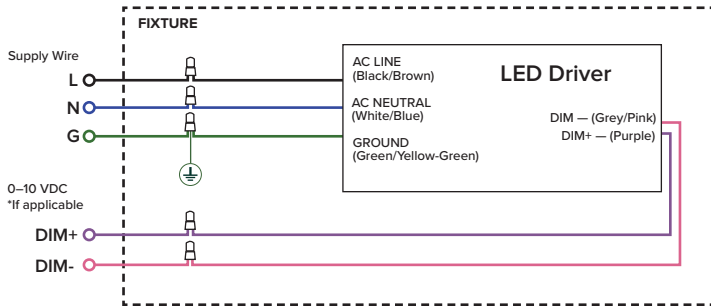
AMBIENT	LUMEN MULTIPLIER
0 °C 32 °F	1.02
10 °C 50 °F	1.01
20 °C 68 °F	1.00
25 °C 77 °F	1.00
30 °C 86 °F	1.00
40 °C 104 °F	0.99
50 °C 122 °F	0.96

Fixture Dimensions:

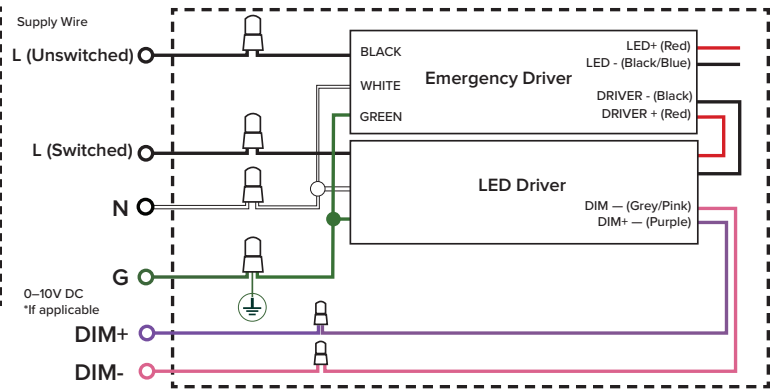


Electrical Wiring Diagrams:

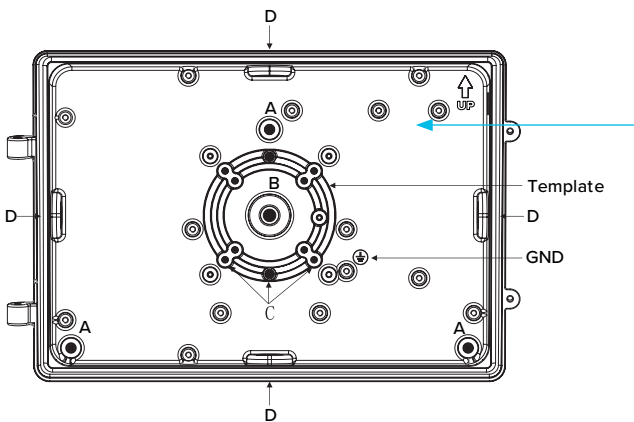
Wiring Diagram:



Wiring Diagram (With EM Backup)



Backplate Diagram:



- A — ø5/16" Knockouts
- B — ø9/16" Knockouts
- C — Knockouts for #10 screw
- D — 1/2" NPS tapped holes.