

Key Features & Benefits:

- Resistant to Shock and Vibration
- Emergency Back Up Standard
- IK10 Impact Rated
- Marine Rated Powder Coating
- Standard 10kV Surge Protection

Project: _____ Date: _____

Catalog #: _____

Notes: _____

Product Specifications:

Power: 3 or 5 Watts
 Power Frequency: 50/60Hz
 Power Factor: >0.9
 Operating Temperature: -4°F–140°F (-20°C–60°C)
 Input Voltage: 120–277 VAC, 12–36V DC
 Life Span: >50,000 Hours
 Warranty: 7 Year with 10 Year option
 Product Weight: 13.23lbs
 Built-In Battery Backup Time: 3 Hours



Certifications & Ratings:

Class I, Division 1, Groups C,D
 Class I, Division 2, Groups A,B,C,D
 Class II, Division 1, Groups E,F,G
 Class II, Division 2, Groups F,G
 Class III
 UL 1598, UL 1598A — Standard for Luminaries for Installation on Marine Vessels
 UL844 — Standard for Luminaries for Use in Hazardous Locations
 IK10
 Marine Rating Powder Coated
 IP66



Ordering Guide:

ESL	HZEX	WATTAGE	HAZARD LEVEL	COLOR	INPUT VOLTAGE	OPTIONS
ESL	HZEX <small>(HZEX) Hazardous Exit Sign</small>	(yy)W <small>3W 5W</small>	1 <small>(1) Class 1 Division 1</small>	(cc) <small>(RD) Red (GR) Green (YW) Yellow</small>	(zz) <small>(Blank) MV 120–277 VAC (DC) 12–36V</small>	

FACTORY INSTALLED OPTIONS

ESL-HZEX-WMK Wall Mount for Hazardous Exit Light

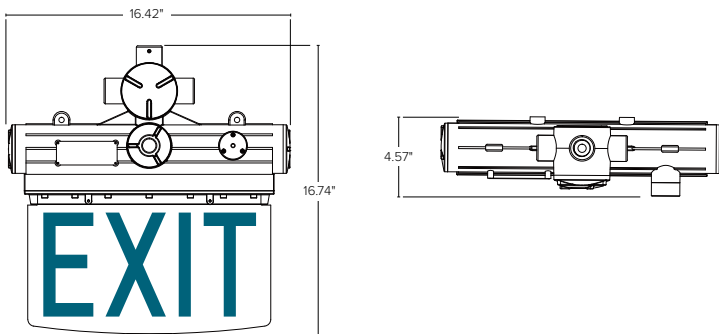
Catalog Data:

ITEM#	WATTAGE	COLOR (cc)	INPUT VOLTAGE (zz)	DIMENSIONS (LxWxH)
ESL-HZEX-3W-1cc-zz	3W	(RD) Red (GR) Green (YW) Yellow	(Blank) MV 120–277VAC (DC) 12–36V	16.42"x4.57"x16.74"
ESL-HZEX-5W-1cc-zz	5W	(RD) Red (GR) Green (YW) Yellow	(Blank) MV 120–277VAC (DC) 12–36V	16.42"x4.57"x16.74"

Lumen Ambient Temperature (LAT) Multipliers:

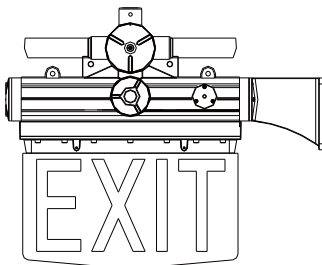
AMBIENT		LUMEN MULTIPLIER
0 °C	32 °F	1.02
10 °C	50 °F	1.01
20 °C	68 °F	1.00
25 °C	77 °F	1.00
30 °C	86 °F	1.00
40 °C	104 °F	0.99
50 °C	122 °F	0.96

Fixture Dimensions:

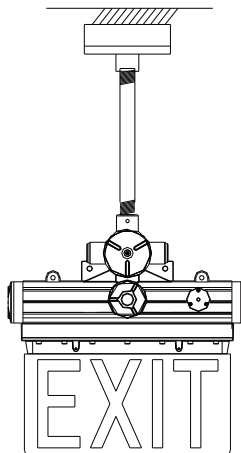


Mounting Diagrams:

Wall Mount



Pendant Mount



Pendant Mount with Safety Cables

