

### Key Features & Benefits:

- Resistant to Shock and Vibration
- Emergency Back Up Capable
- IK10 Impact Rated
- ABS Certified
- Marine Rated Powder Coating
- Standard 10kV Surge Protection

Project: \_\_\_\_\_

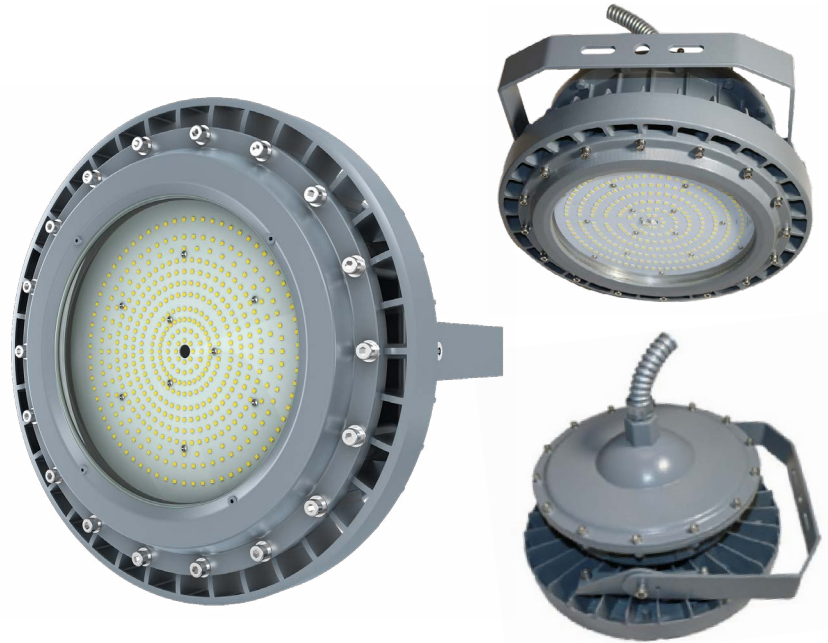
Date: \_\_\_\_\_

Catalog #: \_\_\_\_\_

Notes: \_\_\_\_\_

### Product Specifications:

Power: 20–280 Watts  
 Lumen Output: Up to 39,200 Lumens  
 Efficacy (lm/W): Up to 140 Lumens per Watt  
 Kelvin: 3000K, 4000K, 5000K  
 CRI: >70  
 Power Frequency: 50/60Hz  
 Power Factor: >0.9  
 Operating Temperature: -40°F–140°F (-40°C–60°C)  
 Input Voltage: MV 120–277 VAC, HV 200–480 VAC, DC12–48V  
 Life Span: >150,000 Hours  
 Warranty: 7 Year Warranty with 10 Year Option  
 Product Weight:  
 30.86 lbs — Small  
 38.36 lbs — Medium  
 46.30 lbs — Large



### Certifications & Ratings:

Class I, Division 1, Groups C,D  
 Class I, Division 2, Groups A,B,C,D  
 Class II, Division 1, Groups E,F,G  
 Class II, Division 2, Groups F,G  
 Class III  
 UL 1598, UL 1598A — Standard for Luminaires for Installation on Marine Vessels  
 UL844 — Standard for Luminaires for Use in Hazardous Locations  
 IK10  
 ABS Certified  
 Marine Rating Powder Coated  
 IP66



### Ordering Guide:

ESL	TYPE	SIZE	WATTAGE	HAZARD LEVEL	KELVIN	INPUT VOLTAGE	BEAM ANGLE	GLASS LENS	OPTIONS
ESL	HZRHB	(sz)	(yy)W	1	(xx)	(zz)	(bb)	(gg)	
	(HZRHB) Hazardous Round High Bay	(S) Small (M) Medium (L) Large	20W, 60W, 80W, 100W, 150W, 200W, 240W, 280W	(1) Class 1 Division 1	(30) 3000K (40) 4000K (50) 5000K	(Blank) MV 120–277 VAC (HV) 200–480 VAC (DC12) DC12–48	(40D) (60D) (90D) (120D) Default	(Blank) Flat (SG) Spherical Glass	

### FIELD INSTALLED ACCESSORIES

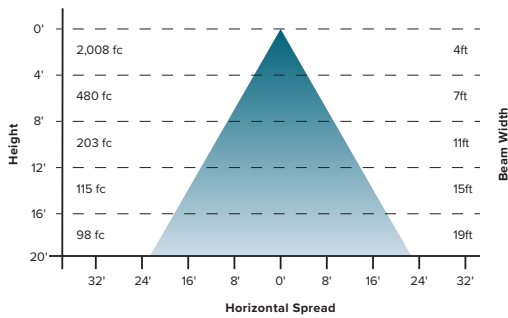
ESL-HZRHB-HOOK-GR	Pendent Mounting Hook, Grey Finish
ESL-HZ-WMJB-90D-GR	Wall Mounting to Junction Box 90 Degree, Grey Finish
ESL-HZ-WMJB-25D-GR	Wall Mounting to Junction Box 25 Degree, Grey Finish
ESL-HZRHB-EMG	Emergency Back Up Unit for Hazardous Round High Bay Series

**Catalog Data:**

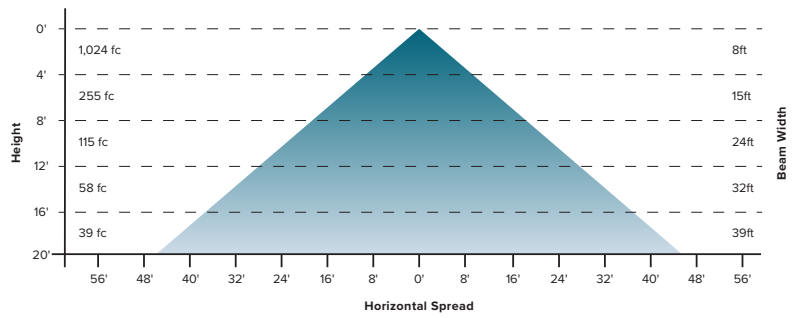
ITEM#	WATTAGE	KELVIN (xx)	LUMENS	EFFICACY lm/W	INPUT VOLTAGE	DIMENSIONS (LxWxH)
ESL-HZRHB-S20W-1xx-zz-bb-gg	20W	(30) 3000K (40) 4000K (50) 5000K	2,800	140	(Blank) MV 100–277VAC (DC12) DC12–48	14.09"x14.09"x9.88"
ESL-HZRHB-S60W-1xx-zz-bb-gg	60W		8,400	140		
ESL-HZRHB-S80W-1xx-zz-bb-gg	80W		11,200	140		
ESL-HZRHB-M100W-1xx-zz-bb-gg	100W		14,000	140	(Blank) MV 100–277VAC (HV) 200–480VAC (DC12) DC12–48	15.98"x15.98"x10"
ESL-HZRHB-M150W-1xx-zz-bb-gg	150W		21,000	140		
ESL-HZRHB-L200W-1xx-zz-bb-gg	200W		28,000	140		
ESL-HZRHB-L240W-1xx-zz-bb-gg	240W	33,600	140		17.44" x 17.44" x 10"	
ESL-HZRHB-L280W-1xx-zz-bb-gg	280W	39,200	140			

**Lighting Distribution:**

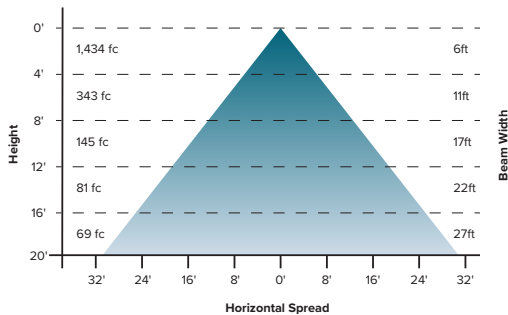
**40 Degree**



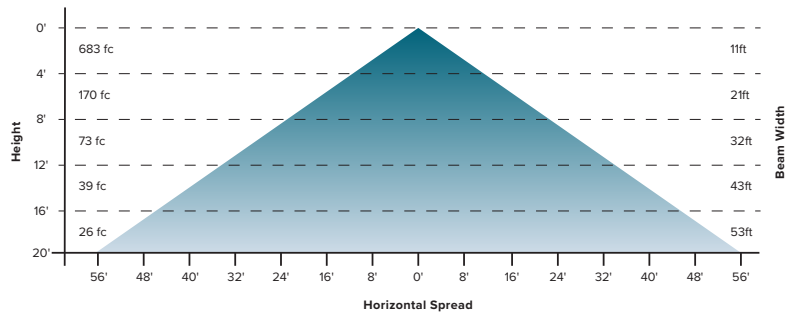
**90 Degree**



**60 Degree**



**120 Degree**

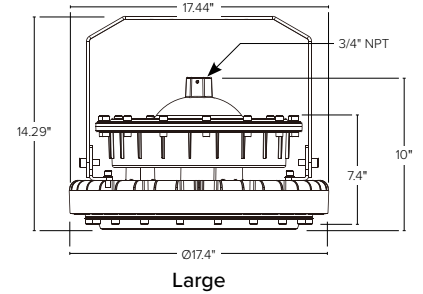
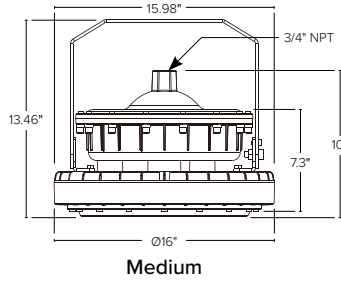
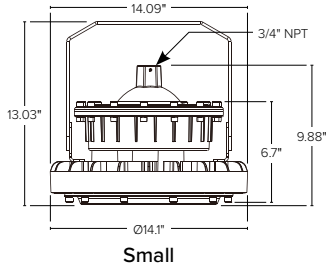


**Lumen Ambient Temperature (LAT) Multipliers:**

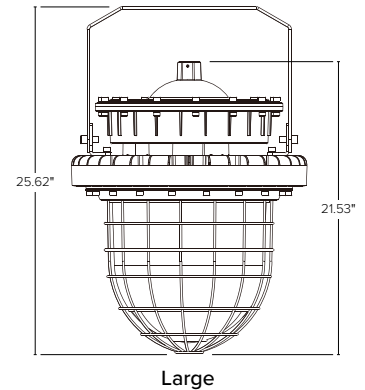
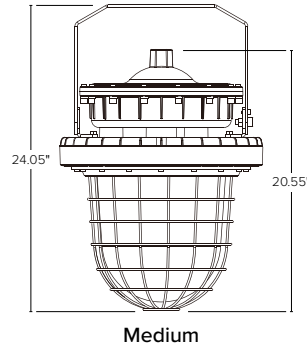
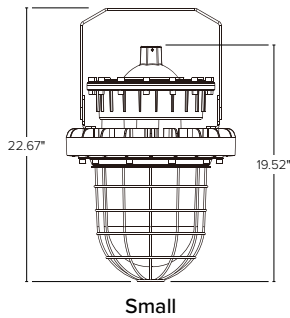
AMBIENT		LUMEN MULTIPLIER
0 °C	32 °F	1.02
10 °C	50 °F	1.01
20 °C	68 °F	1.00
25 °C	77 °F	1.00
30 °C	86 °F	1.00
40 °C	104 °F	0.99
50 °C	122 °F	0.96

**Fixture Dimensions:**

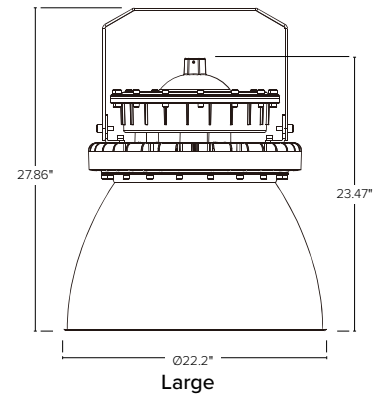
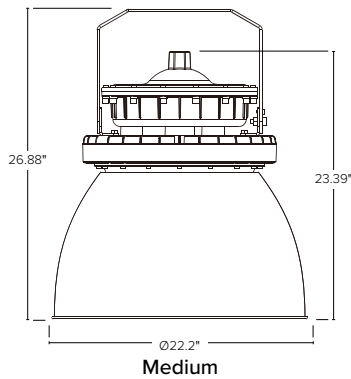
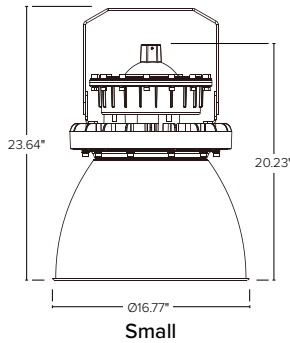
**Flat LED Module**



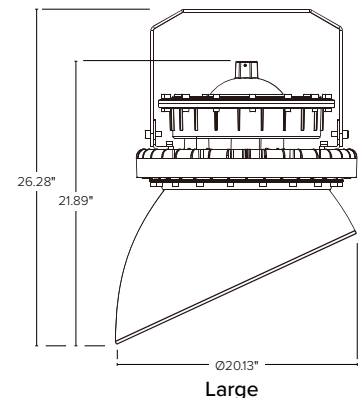
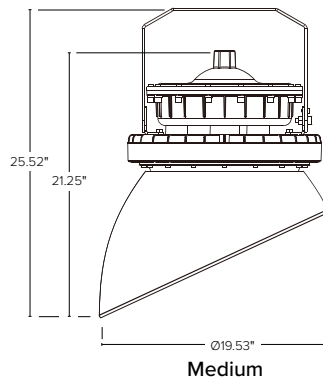
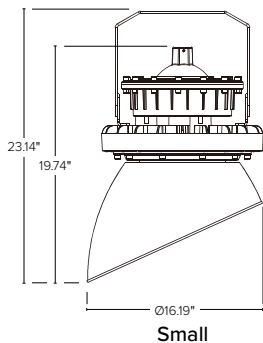
**Flat LED Module, Spherical Lens, and Wire-Guard**



**Flat LED Module & Lampshade**

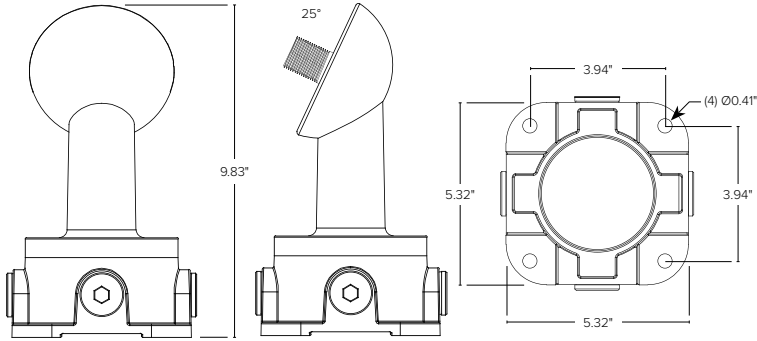


**Flat LED Module & 30° Cutoff Lampshade**

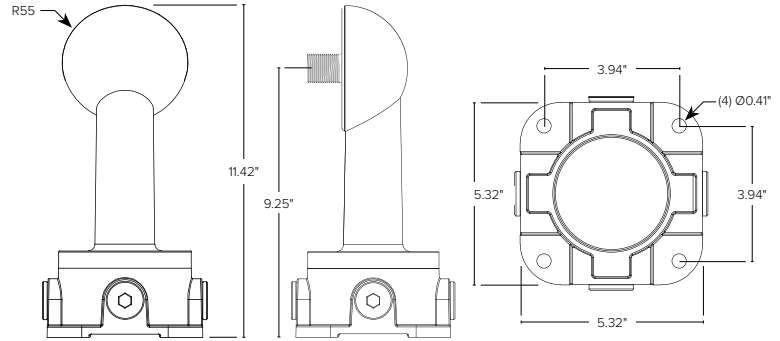


**Fixture Dimensions:**

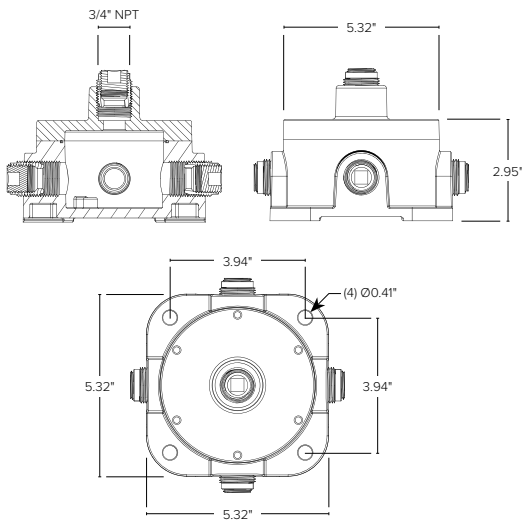
**25° Wall Mount to Junction Box**



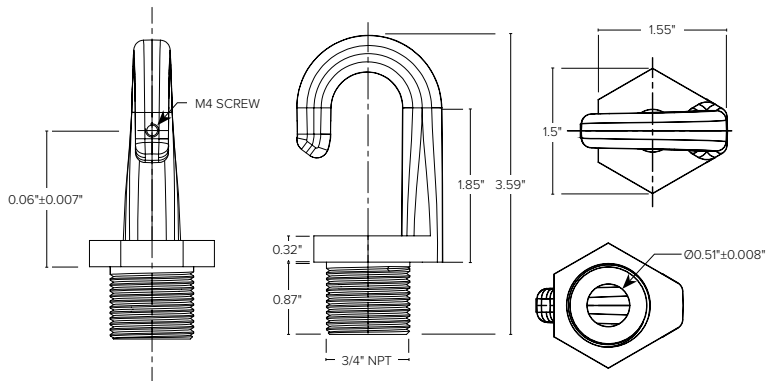
**90° Wall Mount to Junction Box**



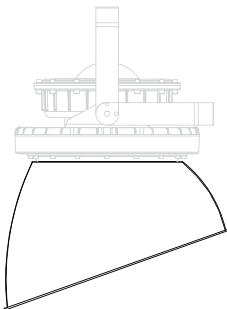
**Junction Box**



**Pendant Hook**

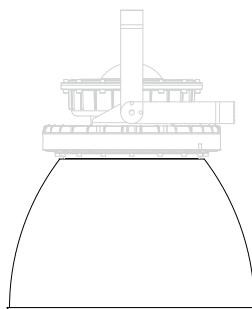


**Accessories:**



**30° Cut Off Aluminum Reflector**

- ESL-HZRHB-S-ARF-30D (Small)
- ESL-HZRHB-M-ARF-30D (Medium)
- ESL-HZRHB-L-ARF-30D (Large)

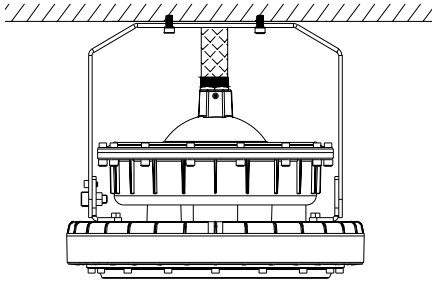


**Aluminum Reflector**

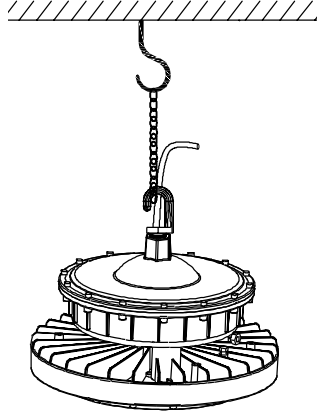
- ESL-HZRHB-S-ARF (Small)
- ESL-HZRHB-M-ARF (Medium)
- ESL-HZRHB-L-ARF (Large)

### Mounting Diagrams:

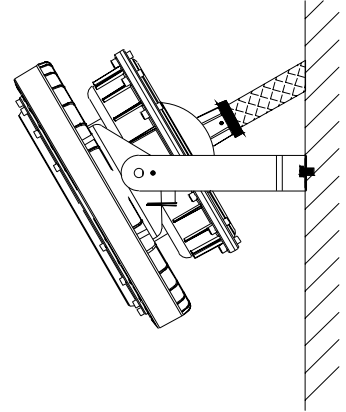
Ceiling Mounting



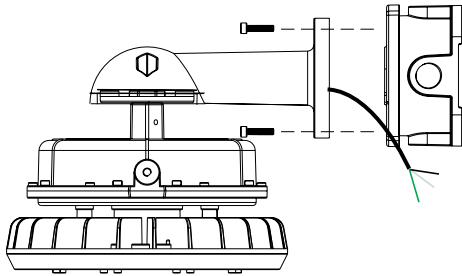
Hook Pendant Mounting



Hook Pendant Mounting



Wall Mounting to Junction Box



Pole Mounting

