

Key Features & Benefits:

- Resistant to Shock and Vibration
- Emergency Back Up Capable
- IK10 Impact Rated
- ABS Certified
- Marine Rated Powder Coating
- Standard 10kV Surge Protection

Project: _____

Date: _____

Catalog #: _____

Notes: _____

Product Specifications:

Power: 20–200 Watts
 Lumen Output: Up to 28,000 Lumens
 Efficacy (lm/W): Up to 140 Lumens per Watt
 Kelvin: 3000K, 4000K, 5000K
 CRI: >70
 Power Frequency: 50/60Hz
 Power Factor: >0.9
 Operating Temperature: -40°F–140°F (-40°C–60°C)
 Input Voltage: MV 120–277 VAC, HV 200–480 VAC,
 DC12–48V
 Life Span: >150,000 Hours
 Warranty: 7 Year Warranty with 10 Year Option
 Product Weight:
 15.43 lbs — Small
 39.46 lbs — Large



Certifications & Ratings:

Class I, Division 1, Groups C,D
 Class I, Division 2, Groups A,B,C,D
 Class II, Division 1, Groups E,F,G
 Class II, Division 2, Groups F,G
 Class III
 UL 1598, UL 1598A — Standard for Luminaires for
 Installation on Marine Vessels
 UL844 — Standard for Luminaires for Use in
 Hazardous Locations
 IK10
 ABS Certified
 Marine Rating Powder Coated



Ordering Guide:

ESL	TYPE	SIZE	WATTAGE	HAZARD LEVEL	KELVIN	INPUT VOLTAGE	BEAM ANGLE	OPTIONS
ESL	HZFL	(s)	(yy)W	1	(xx)	(zz)	(bb)	
	(HZFL) Hazardous Flood Light	(S) Small (L) Large	20W 40W 60W 80W 100W 150W 200W	(1) Class 1 Division 1	(30) 3000K (40) 4000K (50) 5000K	(Blank) MV 120–277 VAC (HV) 200–480 VAC (DC12) DC12–48V	(40D) (60D) (90D) (120D) Default	

FIELD INSTALLED ACCESSORIES

ESL-HZFL-S-TM-GR	Trunnion Mount for Small Flood Light, Grey Finish
ESL-HZFL-L-TM-GR	Trunnion Mount for Large Flood Light, Grey Finish
ESL-HZFL-ST-GR	Slip-fitter Mount /Stanchion, Grey Finish
ESL-HZFL-EMG	Emergency Back Up Unit for Hazardous Flood Light

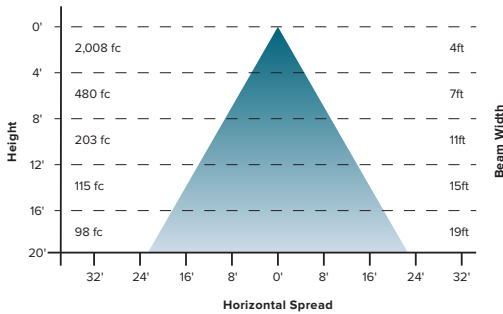


Catalog Data:

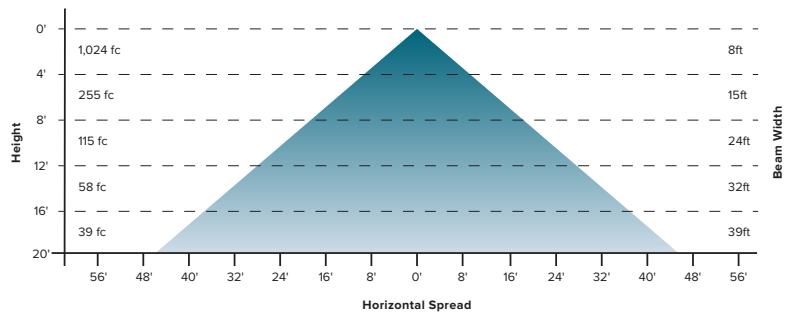
ITEM#	WATTAGE	KELVIN (xx)	LUMENS	EFFICACY lm/W	INPUT VOLTAGE (zz)	DIMENSIONS (LxWxH)
ESL-HZFL-S20W-1xx-zz-bb	20W		2,800	140	(Blank) MV 120–277 VAC (DC12) DC12–48V	11.6"x11.6"x9.57"
ESL-HZFL-S40W-1xx-zz-bb	40W		5,600	140		
ESL-HZFL-S60W-1xx-zz-bb	60W	(30) 3000K (40) 4000K (50) 5000K	8,400	140		
ESL-HZFL-S80W-1xx-zz-bb	80W		11,200	140	(Blank) MV 120–277 VAC (HV) 200–480 VAC (DC12) DC12–48V	15.4"x11.2"x9.96"
ESL-HZFL-L100W-1xx-zz-bb	100W		14,000	140		
ESL-HZFL-L150W-1xx-zz-bb	150W		21,000	140		
ESL-HZFL-L200W-1xx-zz-bb	200W		28,000	140		

Lighting Distribution:

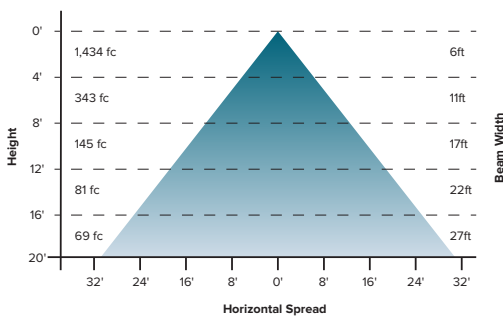
40 Degree



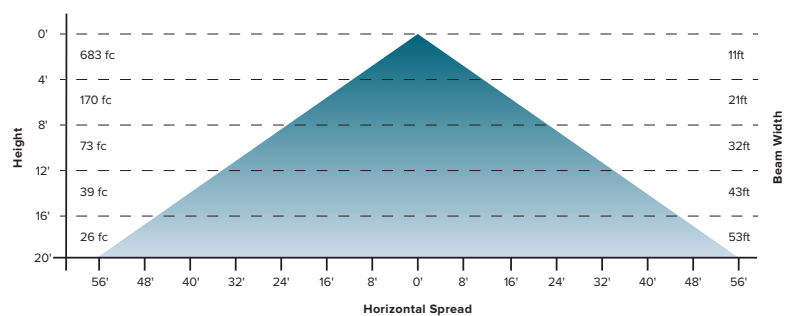
90 Degree



60 Degree



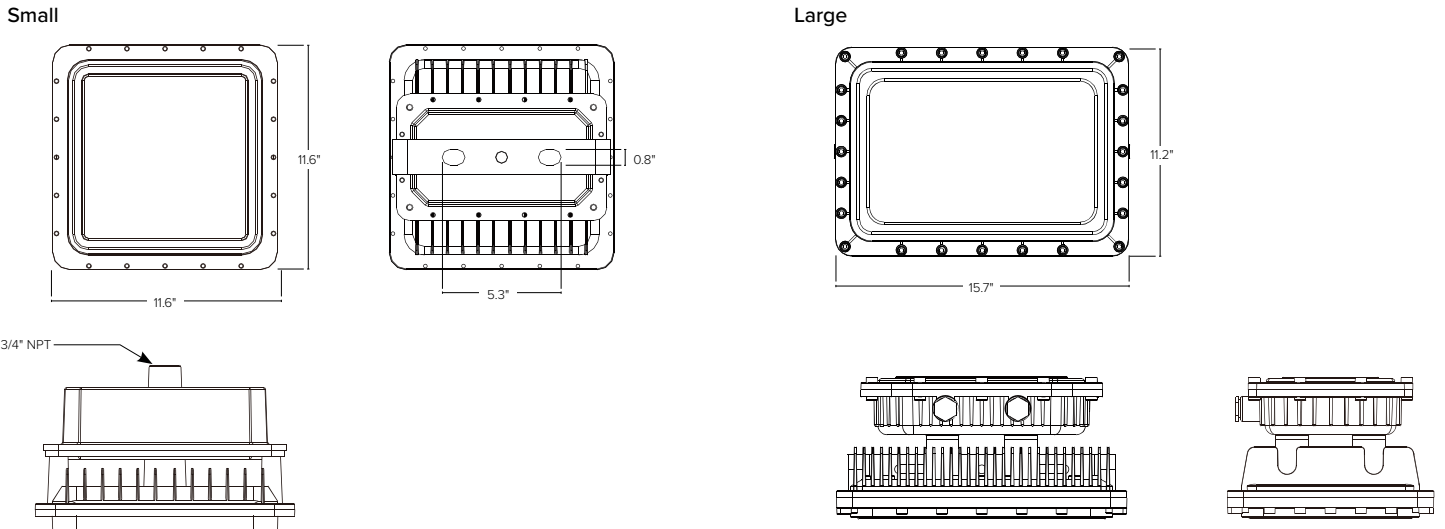
120 Degree



Lumen Ambient Temperature (LAT) Multipliers:

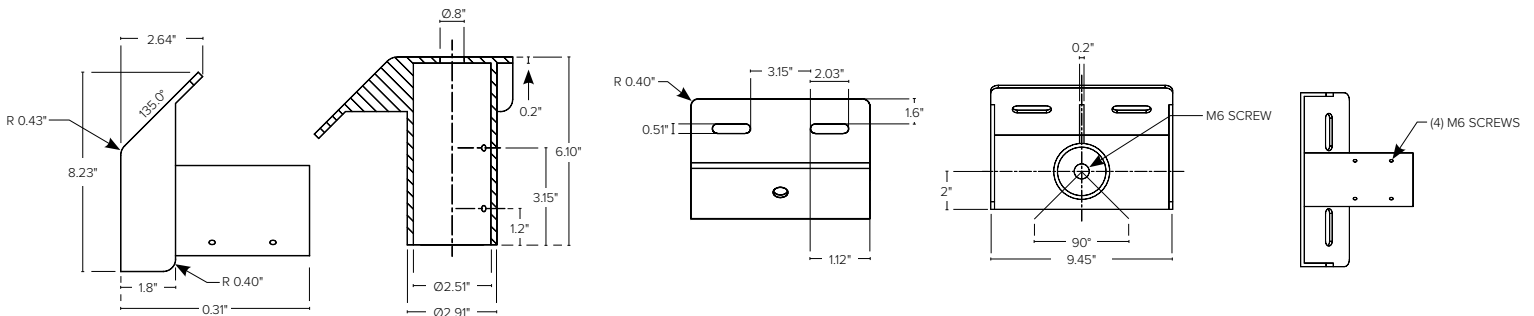
AMBIENT	LUMEN MULTIPLIER
0 °C 32 °F	1.02
10 °C 50 °F	1.01
20 °C 68 °F	1.00
25 °C 77 °F	1.00
30 °C 86 °F	1.00
40 °C 104 °F	0.99
50 °C 122 °F	0.96

Fixture Dimensions:

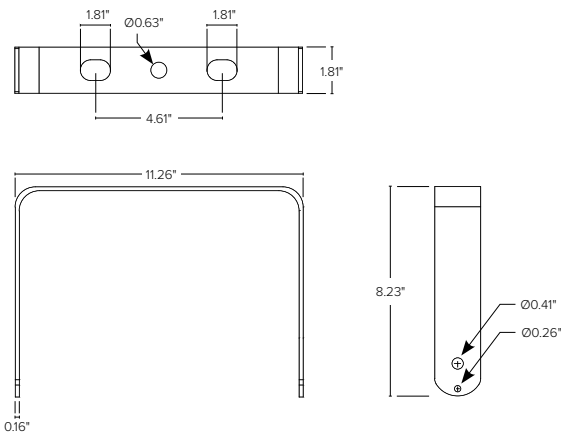


Mounts:

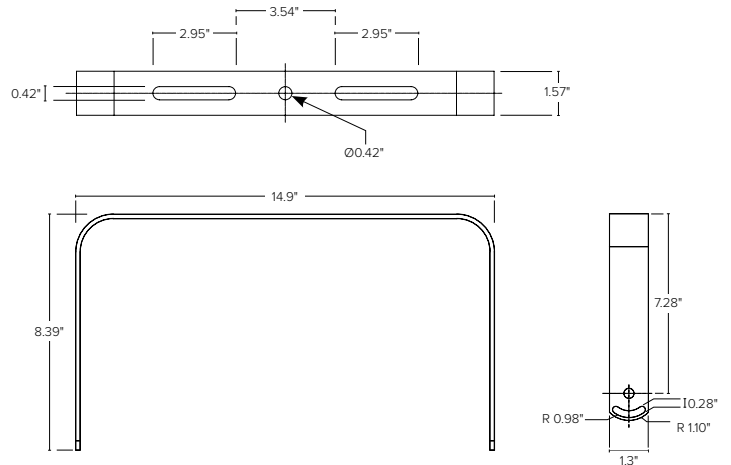
Slip-Fitter/Stanchion Mount



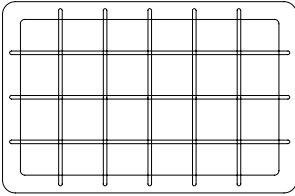
Small Trunnion Mount



Large Trunnion Mount



Accessories:

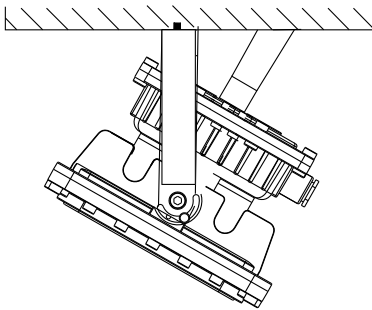


Large Wire-Guard
ESL-HZFL-L-WG

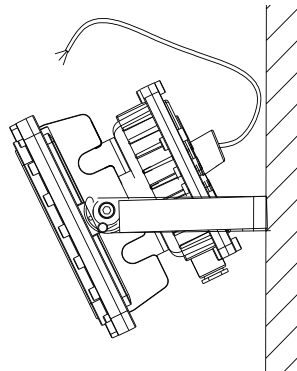
Small Wire-Guard
ESL-HZFL-S-WG

Mounting Diagrams:

Ceiling Mount



Wall Mount



Pole Mount

