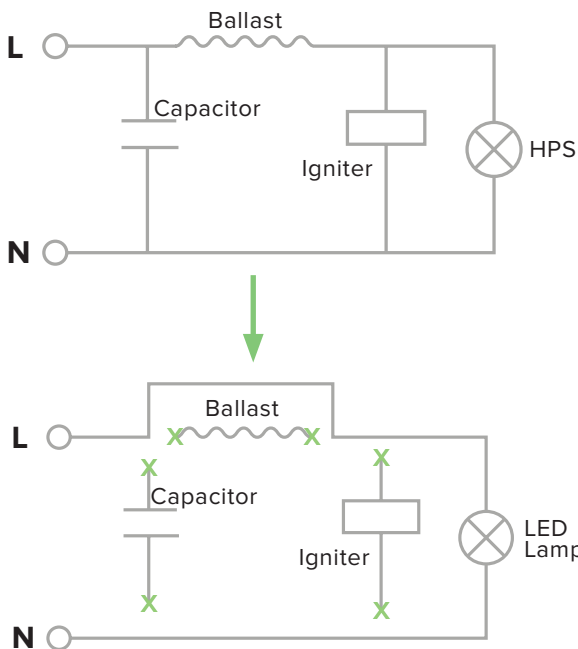


### **WARNING**

1. Turn off electrical power before starting installation of lamps.
2. Before conducting any installation, maintenance, or removal, disable all power.
3. Do not touch the lamp while it is in service.
4. Do not connect this lamp to a dimmer.

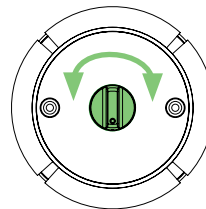
### Retrofit Lamp Installation

#### Replace HPS



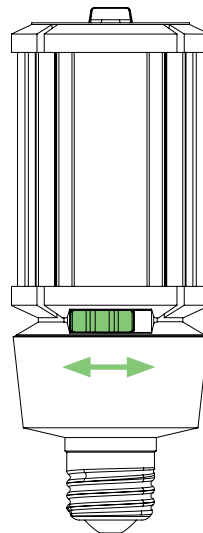
- 1** Be sure to remove the existing ballast if there is one and discard in accordance with local laws and regulations  
Please see proper wiring diagram above.
- 2** Screw in the CL lamp in to the receptacle and make sure it is not loose.
- 3** Apply warning label stating that the fixture has been modified to only operate LED lamps.

### Wattage Selection



Use the dial on the top of the lamp to select the desired wattage.

### Kelvin Selection



Use the switch on the front to select the desired kelvin.