

### Key Features & Benefits:

- Kelvin and Wattage Selectable
- 4' Shipping Profile
- Self-Contained LED and Lens for Easy Install
- 0–10V Continuous Dimming
- 3/4" Knockouts on Both Sides for Continuous-Run Mounting
- Integrated Occupancy Sensor Capable

### Product Specifications:

Selectable Wattage: 33W, 50W, 69W  
 Selectable Kelvin: 3000K, 4000K, 5000K  
 Lumens: 8,625 lm  
 Efficacy: 125 lm/W  
 Input Voltage Options: 120–277 VAC  
 Input Frequency: 50/60 Hz  
 Operating Temperature: -4°F to 104°F (-20°C to 40°C)  
 Dimming: 0–10V  
 CRI: >80  
 Beam Angle: 110°  
 Warranty: 5 Years  
 L70 Lifetime 150,000 Hours calculated per TM21  
 Dimensions: 96.0" x 2.65" x 3.03"

Project: \_\_\_\_\_ Date: \_\_\_\_\_  
 Catalog #: \_\_\_\_\_  
 Notes: \_\_\_\_\_



### Shipping Costs a Problem?

Not anymore! This fixture ships in a 4' Box to eliminate damage concerns and can ship on a normal pallet to save shipping costs.



### Ordering Guide:

ESL	FAMILY	TYPE	LENGTH	SELECTABLE WATTAGE	SELECTABLE KELVIN	OPTIONS
ESL	CSS <small>(CSS) Contractor Series Selectable</small>	800 <small>(800) Strip</small>	8 <small>(2) 2 Foot (4) 4 Foot (8) 8 Foot</small>	(yy) <small>(20W) 20W (2245W) 22W, 33W, 45W (3369W) 33W, 50W, 69W</small>	(xx) <small>(3050K) 3000K, 4000K, 5000K</small>	

### FACTORY INSTALLED OPTIONS

EM9	Emergency backup battery unit, auto test function, 9 watts output, 90 minutes minimum, 120–277 VAC input, 10–300 VDC output, open terminal block wiring, UL listed for factory or field install, title 20
EM5	Emergency backup battery unit, auto test function, 5 watts output, 90 minutes minimum, 120–277 VAC input, 20–250 VDC output, closed lead wiring, UL listed for factory or field install
2DHOC	Stand alone daylight harvesting and occupancy sensor. Program with dip switch or REM-100

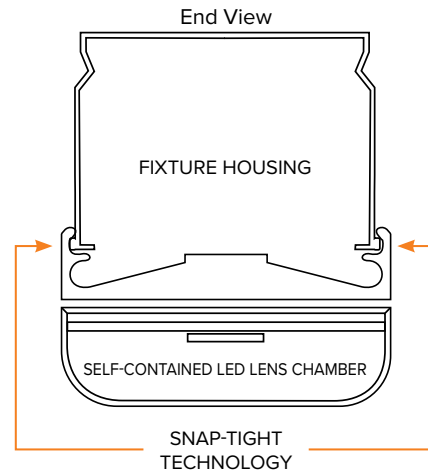
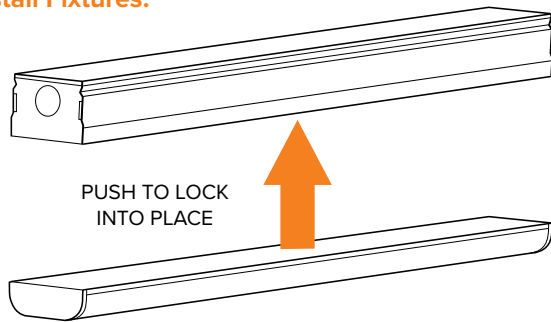
### FIELD INSTALLED ACCESSORIES

ESL-JC20-4S	(2)10ft jack chain with (4) s-hooks (8ft fixture will need 2 sets)
ESL-REM-100	Hand held remote
ESL-CSS-800-2-WG	CSS 800 strip wire guard for 2ft
ESL-CSS-800-4-WG	CSS 800 strip wire guard for 4ft and 8ft (8ft fixture needs 2 sets)
ESL-CSS-800-CONT	CSS 800 strip connector for extension

### Catalog Data:

ITEM#	SELECTABLE WATTAGE	SELECTABLE KELVIN	MAX LUMEN OUTPUT	MAX EFFICACY (lm/w)	INPUT VOLTAGE	DLC QPL CODE
<b>2' SELECTABLE STRIP FIXTURE</b>						
ESL-CSS-800-2-20W-3050K	20W	3000K, 4000K, 5000K	2,456	124	120–277 VAC	S-9MXGHK
<b>4' SELECTABLE STRIP FIXTURE</b>						
ESL-CSS-800-4-2245W-3050K	22W, 33W, 45W	3000K, 4000K, 5000K	5,201	118	120–277 VAC	S-A52V67
<b>8' SELECTABLE STRIP FIXTURE</b>						
ESL-CSS-800-8-3369W-3050K	33W, 50W, 69W	3000K, 4000K, 5000K	8,251	121	120–277 VAC	S-U0F5C8

### Easy Install Fixtures:



**Snap-Tight Technology**—LED Lens Chamber snaps over fixture body and locks in to place. No Springs!

**Self-Contained LED Lens Chamber**—No Screws and No Bugs!

### Electrical Load — Standard Voltage:

SYSTEM WATTS	INPUT CURRENT				INPUT WATTAGE	INPUT FREQUENCY	POWER FACTOR	THD	OPERATING TEMPERATURE	DIMMING
	120 VAC	208 VAC	240 VAC	277 VAC						
20	0.17	0.10	0.08	0.07	120–277 VAC	50/60 Hz	>0.9	<20%	-4°F to 104°F (-20°C to 40°C)	0–10V Dimming
22	0.18	0.11	0.09	0.08	120–277VAC	50/60 Hz	>0.9	<20%	-4°F to 104°F (-20°C to 40°C)	0–10V Dimming
33	0.28	0.16	0.14	0.12	120–277VAC	50/60 Hz	>0.9	<20%	-4°F to 104°F (-20°C to 40°C)	0–10V Dimming
45	0.38	0.22	0.19	0.16	120–27 7VAC	50/60 Hz	>0.9	<20%	-4°F to 104°F (-20°C to 40°C)	0–10V Dimming
50	0.42	0.24	0.21	0.18	120–277 VAC	50/60 Hz	>0.9	<20%	-4°F to 104°F (-20°C to 40°C)	0–10V Dimming
69	0.58	0.33	0.29	0.25	120–277VAC	50/60 Hz	>0.9	<20%	-4°F to 104°F (-20°C to 40°C)	0–10V Dimming

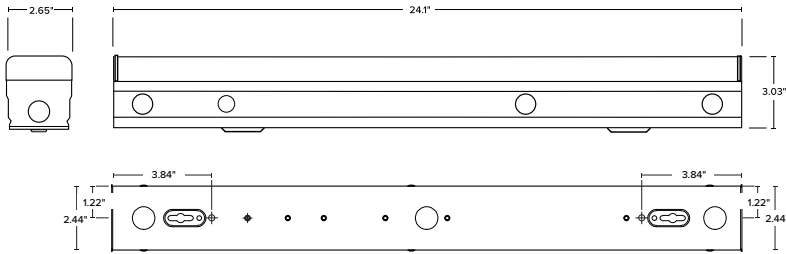
### Lumen Ambient Temperature (LAT) Multipliers:

AMBIENT	LUMEN MULTIPLIER
0 °C 32 °F	1.02
10 °C 50 °F	1.01
20 °C 68 °F	1.00
25 °C 77 °F	1.00
30 °C 86 °F	1.00
40 °C 104 °F	0.99
50 °C 122 °F	0.96

**Dimensions:**

**2 Foot**

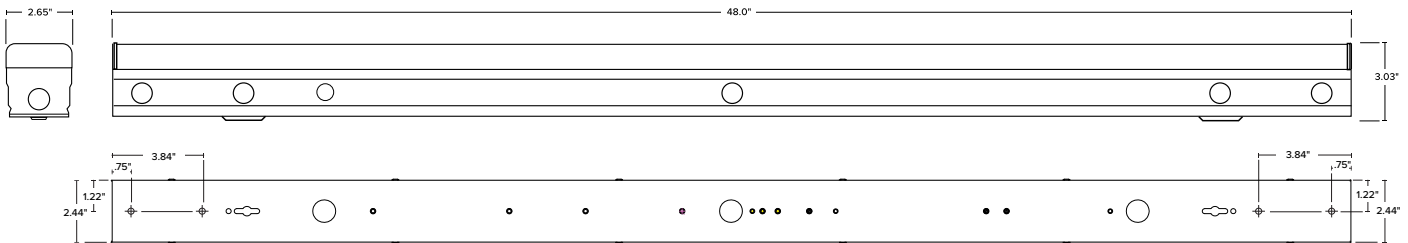
ESL-CSS-800-2-20W-3050K



Indicates location of holes that may be used for installation.

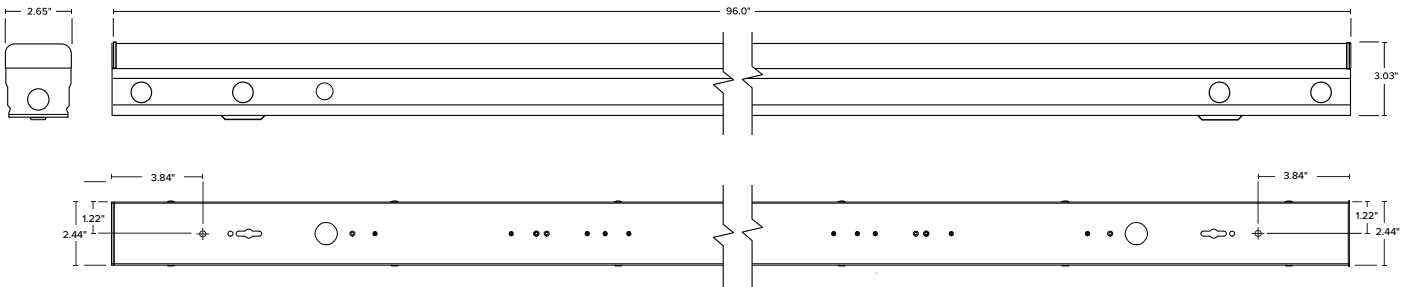
**4 Foot**

ESL-CSS-800-4-2245W-3050K

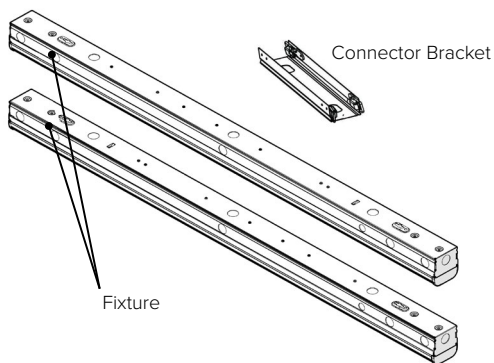


**8 Foot**

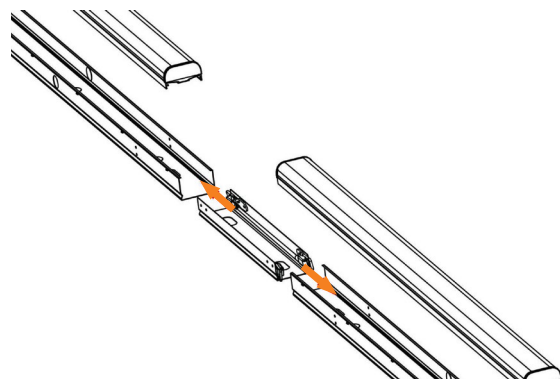
ESL-CSS-800-8-3369W-3050K



**8 Foot Strip Installation**



8 Foot Strips come with three pieces that will need to be assembled



Insert the connection bracket on the open sides of the fixture.