

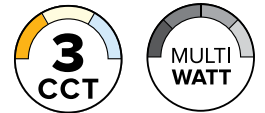
Key Features & Benefits:

- Wattage Selectable
- Kelvin Selectable
- Comes Standard with Multiple Mounting Options in the Box
- Integrated Photocell That Can be Turned On or Off as Needed
- Optional Factory Fixed Wattage
- Bronze or White Finishes
- Durable Die-Cast Housing

Product Specifications:

Selectable Wattage: 15W, 25W, 35W
 Lumen Output at 5000K:
 15W—2,186 Lumens
 25W—3,379 Lumens
 35W—4,772 Lumens
 Efficacy: Up to 146 lm/W
 Selectable Kelvin: 3000K, 4000K, 5000K
 CRI: >80
 Power Frequency: 50/60Hz
 Input Voltage: 120–277 VAC
 Warranty: 5 Year Warranty
 Product Weight:
 1535W — 4.54 lbs
 5090W — 6.88 lbs
 105150W — 14.26 lbs

Project: _____ Date: _____
 Catalog #: _____
 Notes: _____



Easy Access to Photocell with On/Off Switch and Patent Pending Easy Replacement

Available in Bronze or White Finishes



BOTH Knuckle and Yoke Mount Included!
 Comes Standard with Knuckle Installed



Ordering Guide:

ESL	TYPE	SELECTABLE WATTAGE	GENERATION	SELECTABLE KELVIN	FINISH
ESL	FLD	(yy)	1	3050	(ff)
	(FLD) Flood Light	(1535W) 15W, 25W, 35W (5090W) 50W, 70W, 90W (105150W) 105W, 120W, 150W	(1) 1st Generation	(3050) 3000K, 4000K, 5000K	(BZ) Bronze (WH) White

FIELD INSTALLED ACCESSORIES	
ESL-FL1-S-WG	Wire Guard for 1535W Flood Light
ESL-FL1-M-WG	Wire Guard for 5090W Flood Light
ESL-FL1-L-WG	Wire Guard for 90150W Flood Light
ESL-FL1-S-VSH	Vandal Shield for 1535W Flood Light
ESL-FL1-M-VSH	Vandal Shield for 5090W Flood Light
ESL-FL1-L-VSH	Vandal Shield for 105150W Flood Light
ESL-FL1-PC	Photocell for FLD Flood Light

Catalog Data:

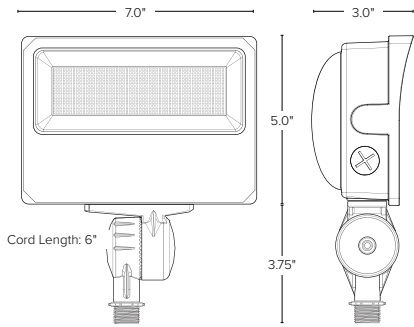
ITEM#	SELECTABLE WATTAGE	SELECTABLE KELVIN	LUMENS	EFFICACY (lm/W)	FINISH (ff)	MOUNTING	DIMENSIONS	DLC QPL CODE					
ESL-FLD-1535W-13050-ff	15W	3000K	2,064	138	(BZ) Bronze (WH) White	Universal 1/2" Knuckle & Yoke	7.0" x 3.0" x 5.0"	S-HS5G97					
		4000K	2,224	148									
		5000K	2,186	146									
	25W	3000K	3,258	130									
		4000K	3,480	139									
		5000K	3,379	135									
	35W	3000K	4,503	129									
		4000K	4,796	137									
		5000K	4,772	136									
	ESL-FLD-5090W-13050-ff	50W	3000K	6,909					138	(BZ) Bronze (WH) White	Universal 1/2" Knuckle & Yoke	10.5" x 3.25" x 7.0"	S-6A5JX3
			4000K	7,415					148				
			5000K	7,337					147				
70W		3000K	9,085	130									
		4000K	9,777	140									
		5000K	9,679	138									
90W		3000K	10,967	122									
		4000K	11,896	132									
		5000K	11,473	127									
ESL-FLD-105150W-13050-ff	105W	3000K	14,099	134	(BZ) Bronze (WH) White	Slip Fitter & Yoke	14.0" x 3.25" x 9.0"	S-EGJSRO					
		4000K	15,148	144									
		5000K	14,837	141									
	120W	3000K	15,591	130									
		4000K	16,590	138									
		5000K	16,027	134									
	150W	3000K	19,557	130									
		4000K	20,793	139									
		5000K	20,154	134									

*Not All Part Numbers DLC Qualified. For a Complete Listing Please Consult the DLC Qualified Products List (QPL).

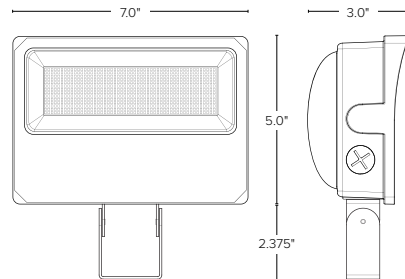
Dimensions:

1535W

Knuckle Mount

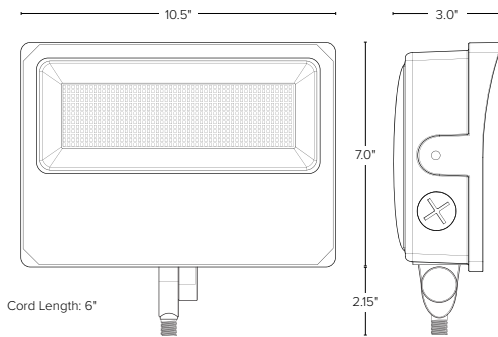


Yoke Mount

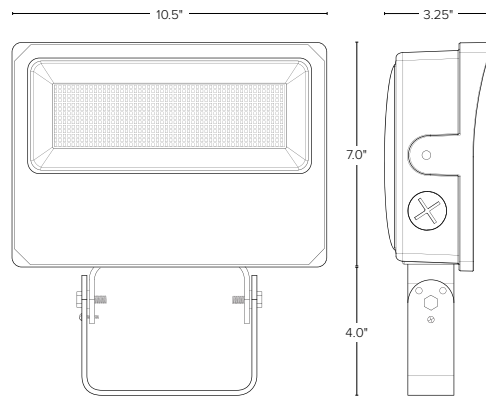


5090W

Knuckle Mount

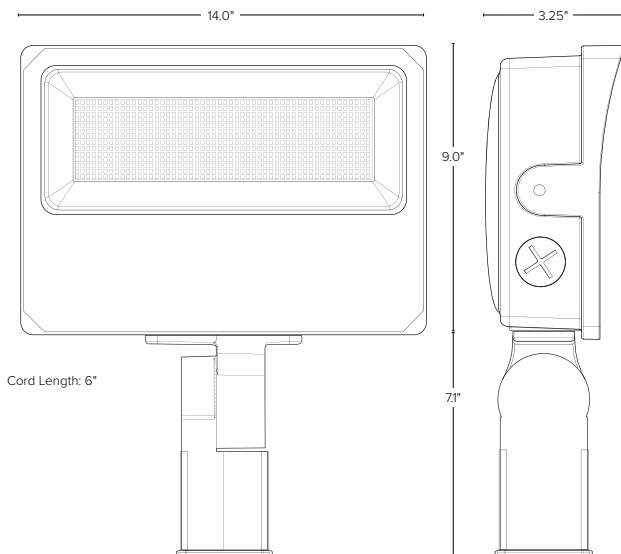


Yoke Mount



105150W

Slip Fitter



Yoke Mount

