

### Key Features & Benefits:

- Field or Factory Installation - UL 924 and CSA C22.2 No. 141 Emergency Lighting Compliant
- Meets CEC Title 20 (California Energy Commission) Requirements
- Monthly and Yearly Auto Test Function for Reduced Maintenance
- Meets or Exceeds all NEC Emergency Lighting Standards
- Constant Power Output Provides 90 Minutes of Consistent Egress Lighting with no Degradation
- Lithium-Ion Battery (5 year limited warranty with 300 charging and discharging cycles)
- 2-Wire Illuminated Test Switch



Project: \_\_\_\_\_ Date: \_\_\_\_\_  
 Catalog #: \_\_\_\_\_  
 Notes: \_\_\_\_\_



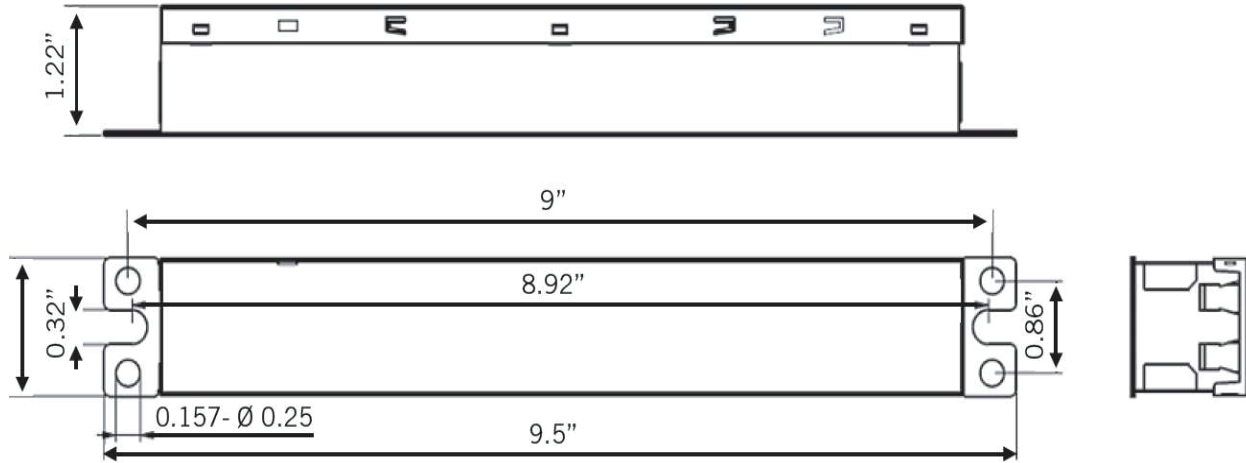
### Technical Specifications:

| ESL-EMG-SL3-CLW-5W |                         |                           |
|--------------------|-------------------------|---------------------------|
| Input              | Rated Current           | 100mA                     |
|                    | AC Input Power Rating   | <2 Watts                  |
|                    | Rated Voltage           | 100 - 277 VAC, 50/60Hz    |
| Output             | Emergency Output Power  | 5 Watts Max.              |
|                    | Output Voltage          | 20 - 50V                  |
|                    | Output Current          | 100 - 250mA               |
|                    | Output Short Protection | Yes                       |
|                    | Output Open Protection  | Yes                       |
| Emergency          | Emergency Operation     | ≥90 Minutes               |
|                    | Charging Time           | 24 Hours                  |
|                    | Charging Cycles         | >300                      |
| Environment        | Operating Temperature   | 32°F - 131°F (0°C - 50°C) |
|                    | Dimensions (LxWxH)      | 9.5" x 0.32" x 1.22"      |
|                    | Weight                  | 0.915 lbs                 |

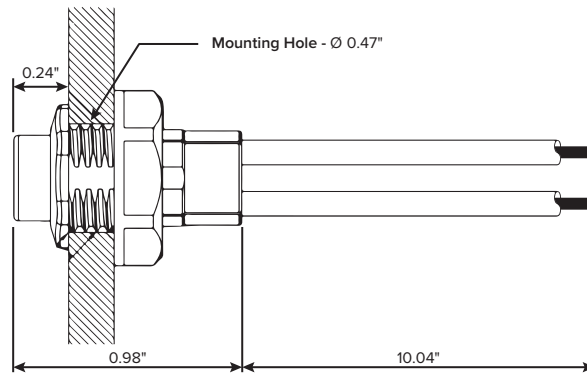
### Emergency Lumen Output:

| FIXTURE EFFICACY | OUTPUT POWER 5W |
|------------------|-----------------|
| 100 lm/w         | 500 Lumens      |
| 120 lm/w         | 600 Lumens      |
| 140 lm/w         | 700 Lumens      |

**Dimensions:**



**2-Wire Illuminated Test Switch:**



**Typical Wiring Diagram:**

