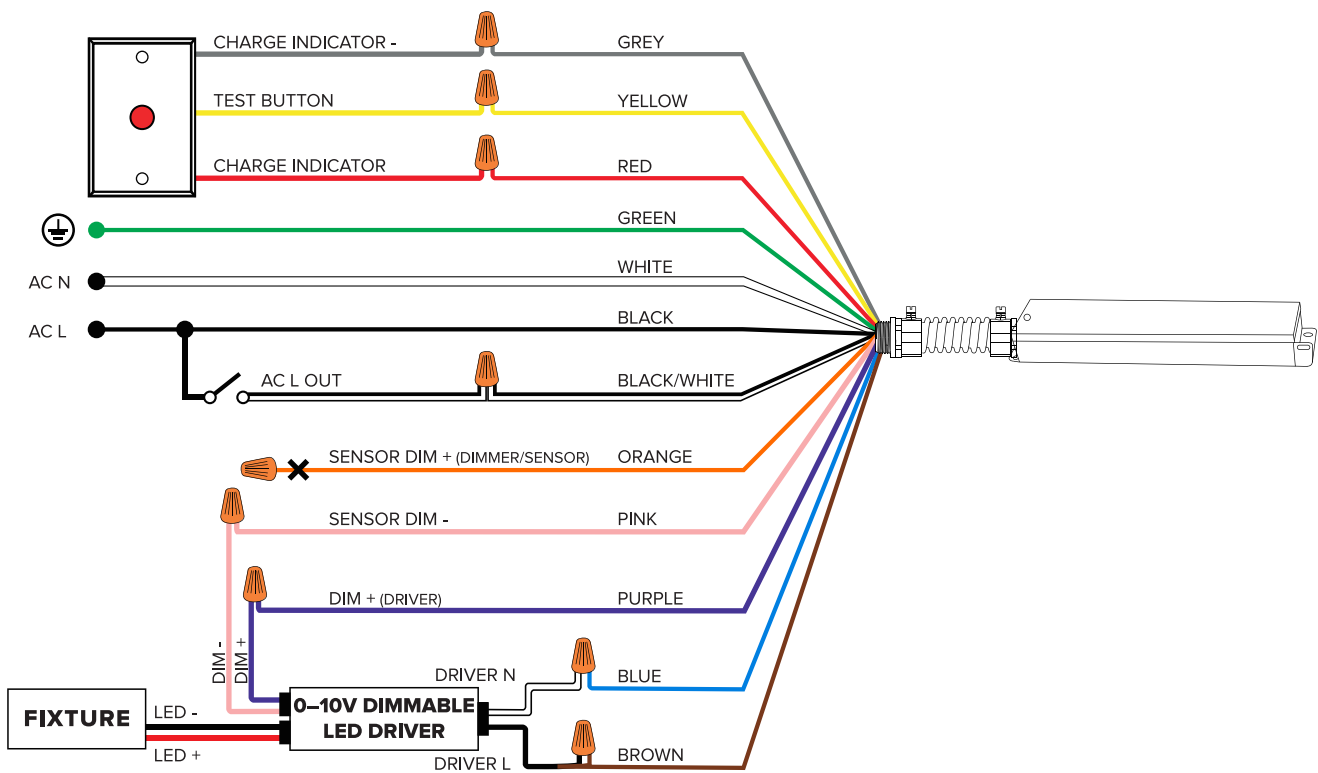


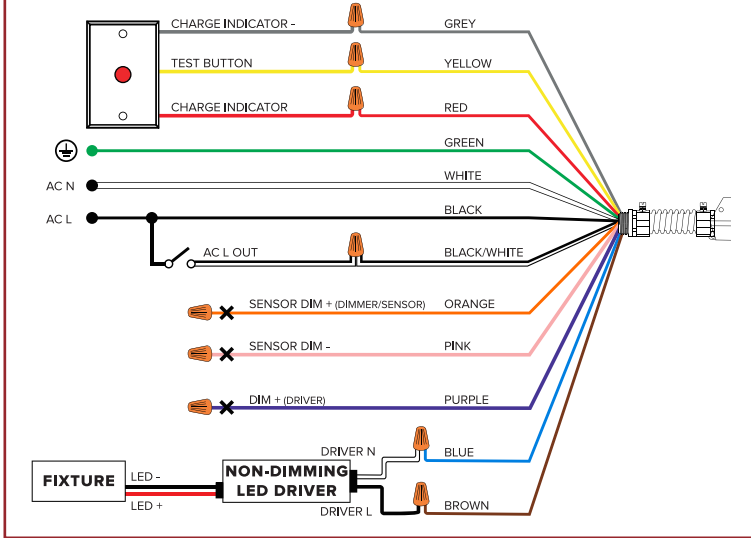
**! WARNING**

1. This emergency driver provides more than one power supply output source. To avoid electric shock, disconnect power at source prior to installation.
2. The installation should be performed by qualified electricians or lighting technicians.
3. Do not attempt to service the battery. A sealed, no-maintenance battery is used and is not field replaceable. Replace the entire unit when necessary.
4. The emergency driver requires a constant AC power source of 100–347VAC, 50/60Hz.
5. Battery pack should be charged for 24 hours every 6 months during storage.
6. Battery in this unit may not be fully charged. After electricity is connected to the unit for at least 24 hours before normal operation.
7. Do not mount near gas or electric heaters. Do not let power supply cords touch hot surfaces.
8. Not for outdoor use.

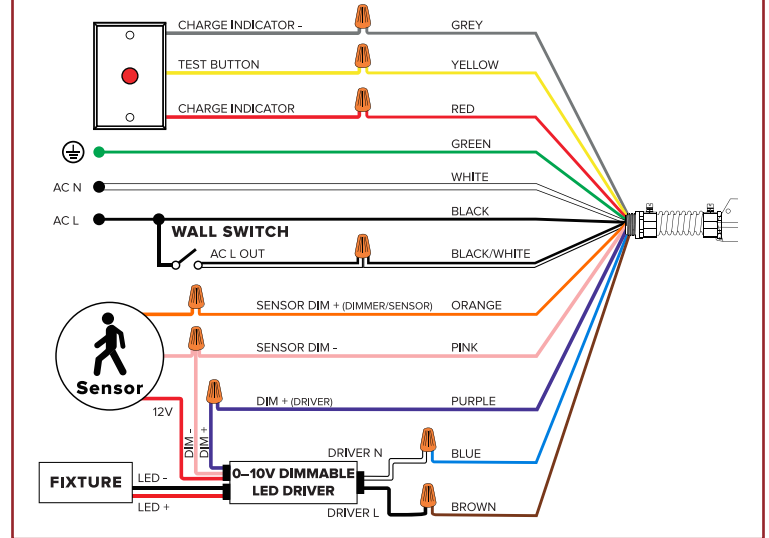
### Standard Installation to 0–10V Dimmable Fixture



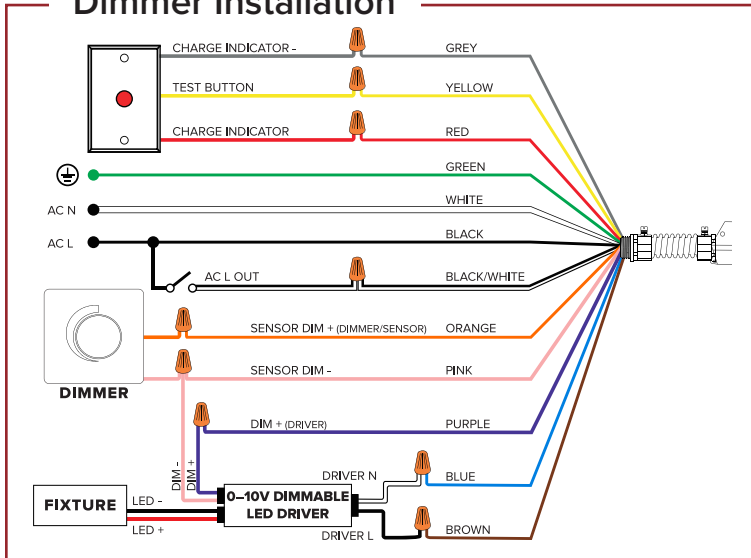
### Non-Dimming Fixture Installation



### AC Sensor Installation



### Dimmer Installation



### DC Sensor Installation

