

Key Features & Benefits:

- Compatible with CL Gen 5 (36W-120W)
- Dim to Off
- IP20 Rating
- Stand-By Dim Level:
0 | 20% | 40% | 60%
- Hold Time:
30s | 90s | 5min | 10min

Project: _____

Date: _____

Catalog #: _____

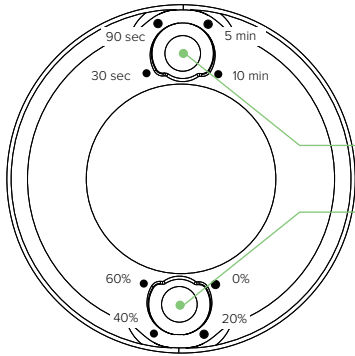
Notes: _____

Product Specifications:

Sensor Type: PIR
 Input Voltage: 15VDC ± 2V
 Dimensions: 1.69" x 2.06"
 Detection Range: ø9.7 feet
 Detection Angle: 120°
 Operating Temp: 4°F to 95°F (-20°C to 35°C)



Operation:



HOLD TIME
 The duration the light will remain lit once it senses motion.

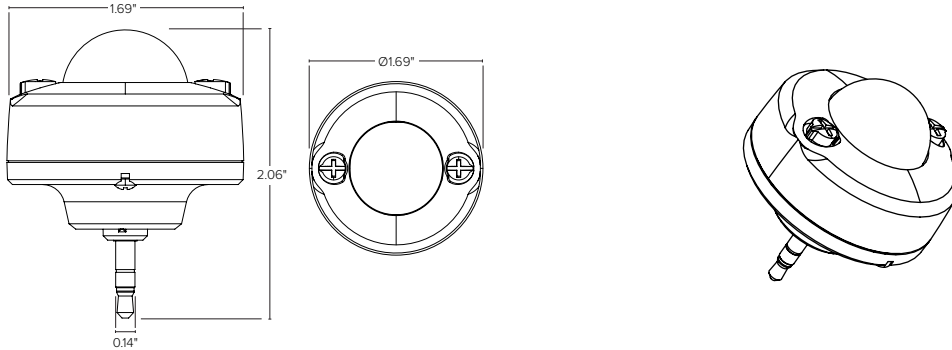
STAND-BY DIM LEVEL
 The brightness the fixture will adjust to once the hold time has passed.



Catalog Data:

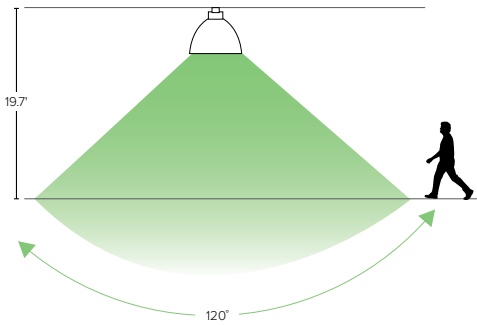
ITEM#	COLOR	STAND-BY DIM LEVEL	HOLD TIME	DESCRIPTION	DIMENSIONS (WxH)
ESL-3DHOC-LV	WHITE	0 20% 40% 60%	30s 90s 5min 10min	Photocell with PIR Occupancy for CL5	1.69" x 2.06"

Fixture Dimensions:

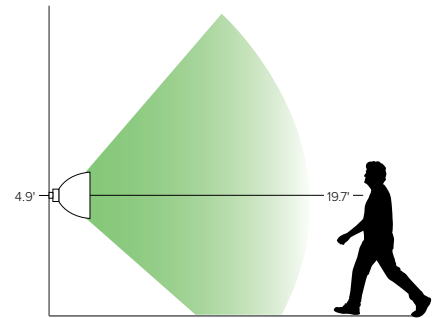
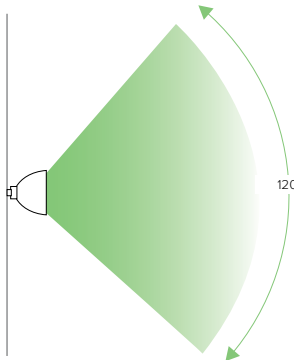


Sensor Detection Area:

Ceiling Mount



Wall Mount



Lumen Ambient Temperature (LAT) Multipliers:

AMBIENT		LUMEN MULTIPLIER
0 °C	32 °F	1.02
10 °C	50 °F	1.01
20 °C	68 °F	1.00
25 °C	77 °F	1.00
30 °C	86 °F	1.00
40 °C	104 °F	0.99
50 °C	122 °F	0.96