

Key Features & Benefits:

- Innovative Design Enables Easy Installation
- Multiple Mounting Options
- Wide AC Input Voltage Range of 200–528VAC
- 20' Cord Set on Classic and Back Mount
- 5' Cord Set on Remote Mount
- Standard 20 Year Warranty
- Precise Lighting with Various Beam Options

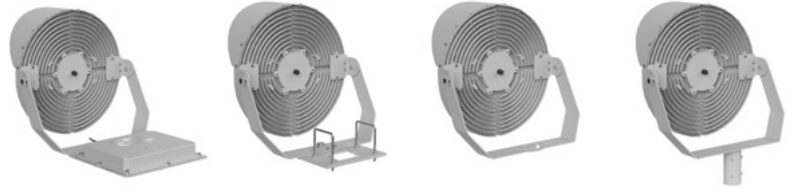
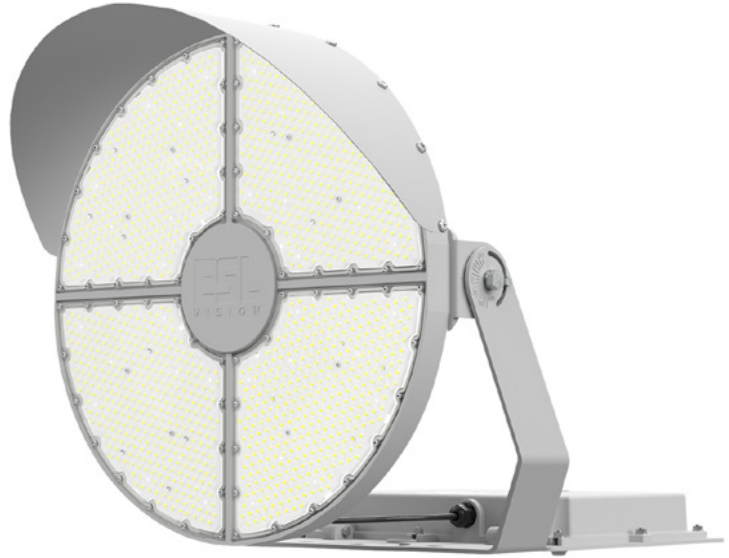
Technical Specifications:

Wattage: 850 Watts
 Kelvin: 5000K
 Lumen Output: Up to 145,117 Lumens
 Efficacy (lm/W): Up to 171 Lumens per Watt
 CRI: >70
 Power Frequency: 50/60Hz
 Power Factor: >0.9
 Operating Temperature: -40°F to 122°F (-40°C to 50°C)
 Effective Projected Area (EPA): 3.17 square ft
 Input Voltage: 200–528 VAC
 Input Cord Length:
 Classic Mount—20 Foot
 Back Mount—20 Foot
 Remote Mount—5 Foot
 Classic:
 Overall Dimensions (LxWxH): 35.14" x 23.94" x 22.52"
 Base Dimension (LxWxH): 20.33" x 18.8" x 2.3"
 Box Dimension (LxWxH): 13.78" x 17.56" x 2.3"
 Weight: 71.54lb

Project: _____ Date: _____

Catalog #: _____

Notes: _____



Ordering Guide:

ESL	TYPE	WATTAGE	GENERATION	KELVIN	BEAM ANGLE	MOUNT
ESL	SPT (SPT) Sport Light	850W (850W) 850 Watts	2 (2) 2nd Generation	5000K (50) 5000 Kelvin	(bb) (20) 20 Degree (30) 30 Degree (40) 40 Degree (50) 50 Degree	(mm) (BLANK) Classic Mount (RMDB) Remote Mount, Diving Board (RMTM) Remote Mount, Trunnion (RMSF) Remote Mount, Slipfitter (DMTM) Direct Mount, Trunnion (DMSF) Direct Mount, Slipfitter

FIELD INSTALLED ACCESSORIES

ESL-SPT-LASER	Sports Light Laser Aiming Device
Synapse Wireless Control System	Contact Rep to Build



STADIA SERIES

ESL-SPT-850W-250

Catalog Data:

ITEM#	WATTAGE	KELVIN	LUMENS	EFFICACY lm/W	INPUT VOLTAGE	DLC QPL CODE
ESL-SPT-550W-250-20	550W	5000K	86,097	153	200–528 VAC	S-T3JGPE
ESL-SPT-550W-250-30			88,238	156		S-JTN0AM
ESL-SPT-550W-250-40			88,005	156		S-KAVZ05
ESL-SPT-550W-250-50			87,624	155		S-YW0190
ESL-SPT-850W-250-20			850W	5000K		141,475
ESL-SPT-850W-250-30	143,627	171			S-P7Q81B	
ESL-SPT-850W-250-40	143,288	171			S-U9125Z	
ESL-SPT-850W-250-50	145,622	174			S-ELW3T0	

Electrical Load – Wide Input Voltage:

SYSTEM WATTS	INPUT CURRENT	INPUT VOLTAGE	INPUT FREQUENCY	POWER FACTOR	THD	OPERATING TEMPERATURE	SURGE PROTECTION	DIMMING
550	208 VAC	200–528 VAC	50/60 Hz	>0.9	<15%	-40°F to 122°F (-40°C to 50°C)	6kA Driver 20kA Stand Alone	0–10
	240 VAC							
	277 VAC							
	347 VAC							
	480 VAC							
	528 VAC							

SYSTEM WATTS	INPUT CURRENT	INPUT VOLTAGE	INPUT FREQUENCY	POWER FACTOR	THD	OPERATING TEMPERATURE	SURGE PROTECTION	DIMMING
850	208 VAC	200–528 VAC	50/60 Hz	>0.9	<15%	-40°F to 122°F (-40°C to 50°C)	6kA Driver 20kA Stand Alone	0–10
	240 VAC							
	277 VAC							
	347 VAC							
	480 VAC							
	528 VAC							

Lumen Ambient Temperature (LAT) Multipliers:

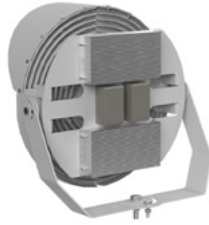
AMBIENT	LUMEN MULTIPLIER
0 °C / 32 °F	1.02
10 °C / 50 °F	1.01
20 °C / 68 °F	1.00
25 °C / 77 °F	1.00
30 °C / 86 °F	1.00
40 °C / 104 °F	0.99
50 °C / 122 °F	0.96

*Not All Part Numbers DLC Qualified. For a Complete Listing Please Consult the DLC Qualified Products List (QPL).

Mount Configurations:



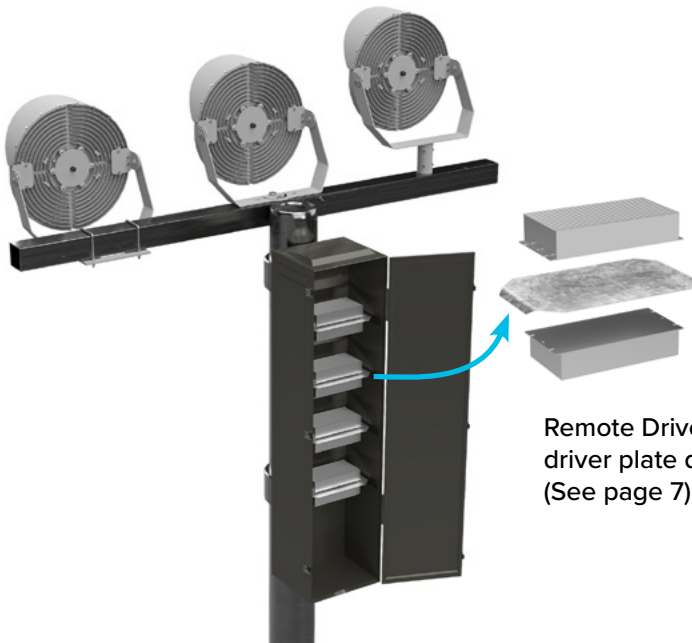
Classic:
 ESL-SPT-550W-250-bb
 ESL-SPT-850W-250-bb



**Back Driver Mount
 with Trunnion Fixture Mount:**
 ESL-SPT-550W-250-bb-DMTM
 ESL-SPT-850W-250-bb-DMTM



**Back Driver Mount
 with Slipfitter Fixture Mount:**
 ESL-SPT-550W-250-bb-DMSF
 ESL-SPT-850W-250-bb-DMSF



Remote Driver Mount must include the driver plate dimensions with the order. (See page 7)



**Remote Driver Mount
 with Diving Board Fixture Mount:**
 ESL-SPT-550W-250-bb-RMDB
 ESL-SPT-850W-250-bb-RMDB



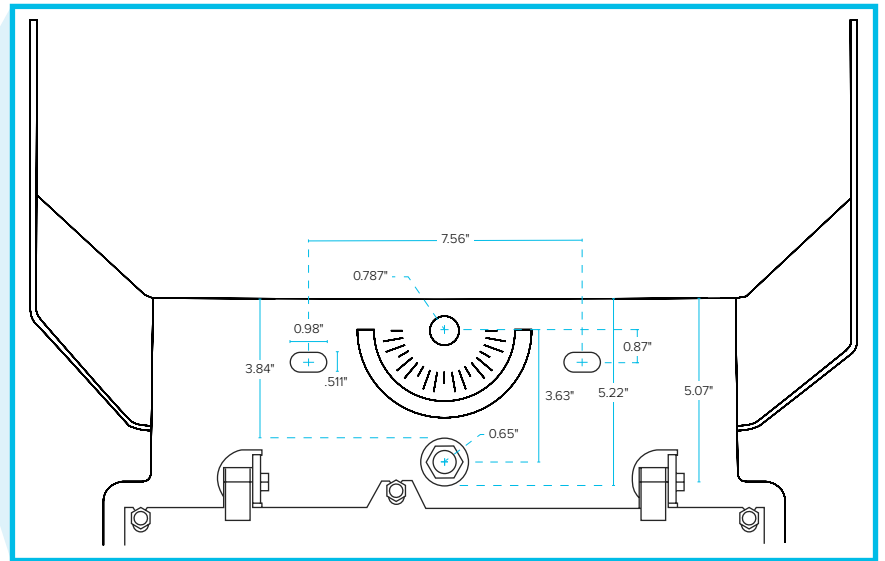
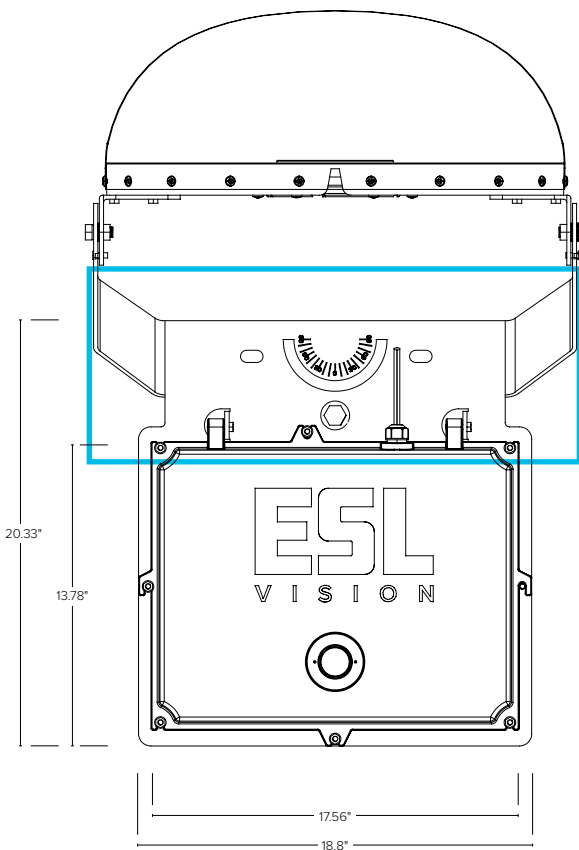
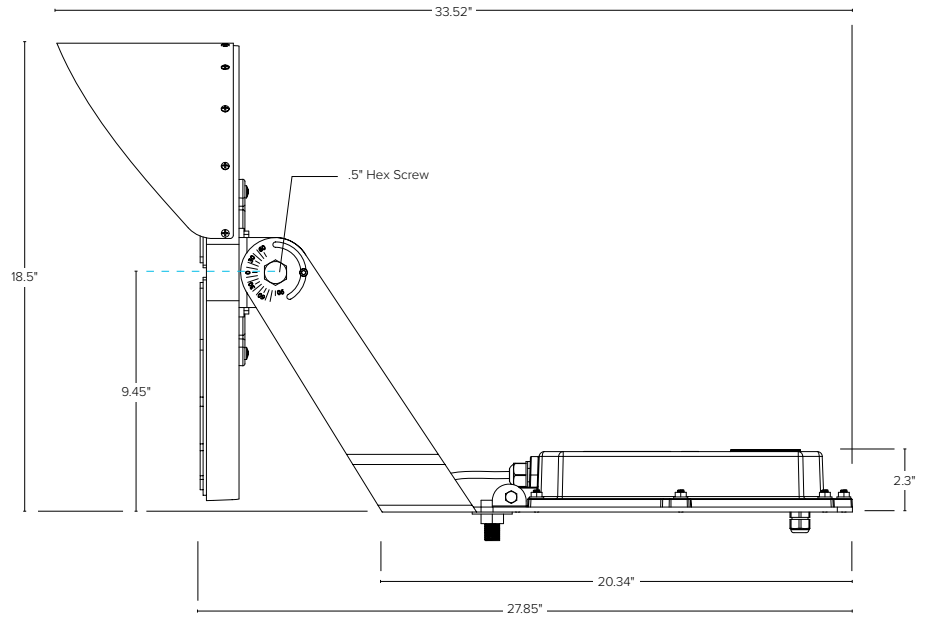
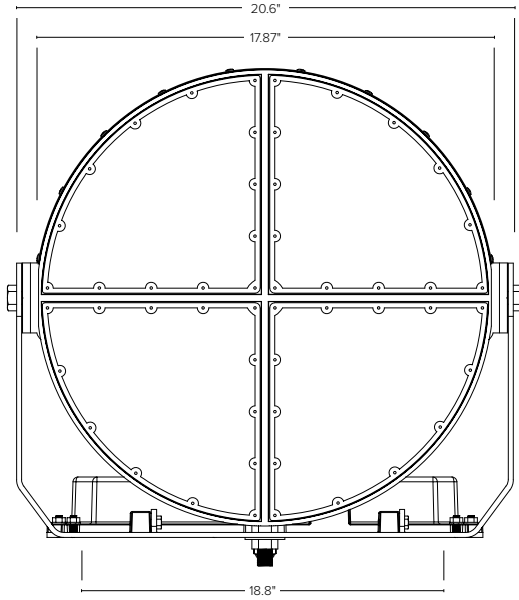
**Remote Driver Mount
 with Trunnion Fixture Mount:**
 ESL-SPT-550W-250-bb-RMTM
 ESL-SPT-850W-250-bb-RMTM



**Remote Driver Mount
 with Slipfitter Fixture Mount:**
 ESL-SPT-550W-250-bb-RMSF
 ESL-SPT-850W-250-bb-RMSF

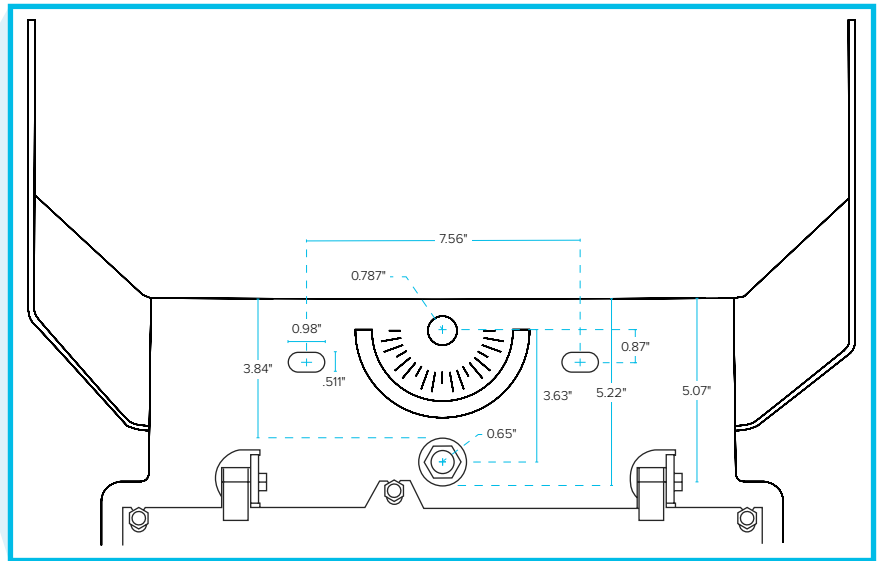
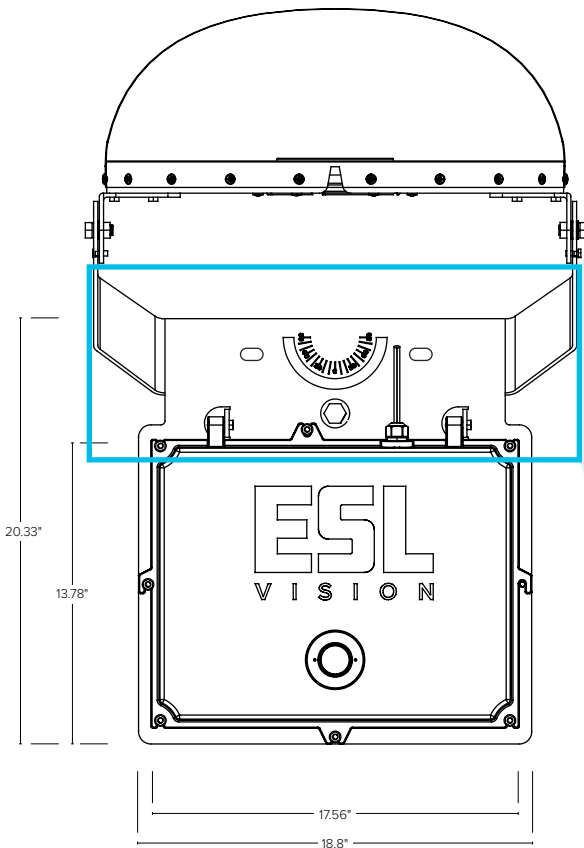
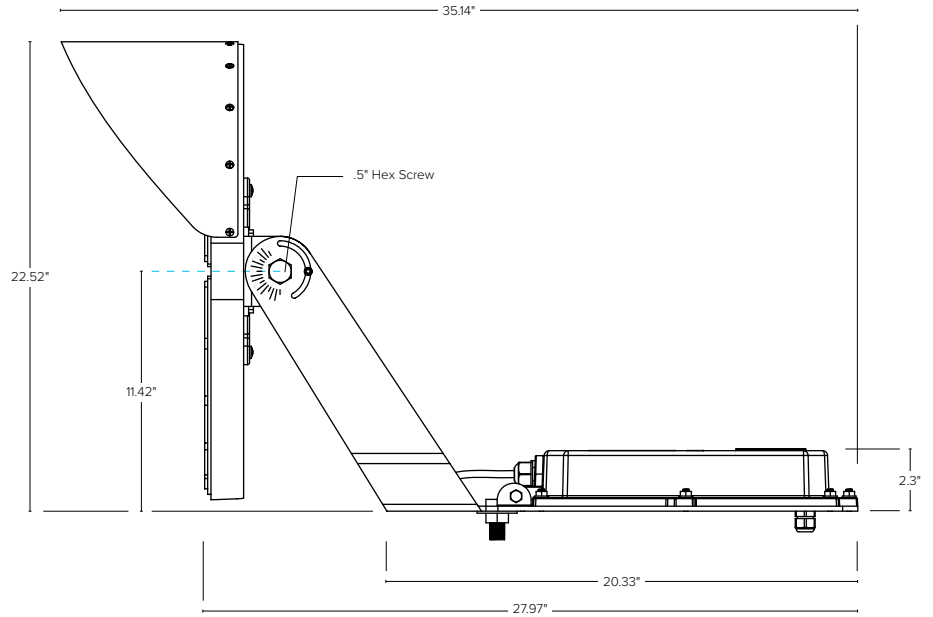
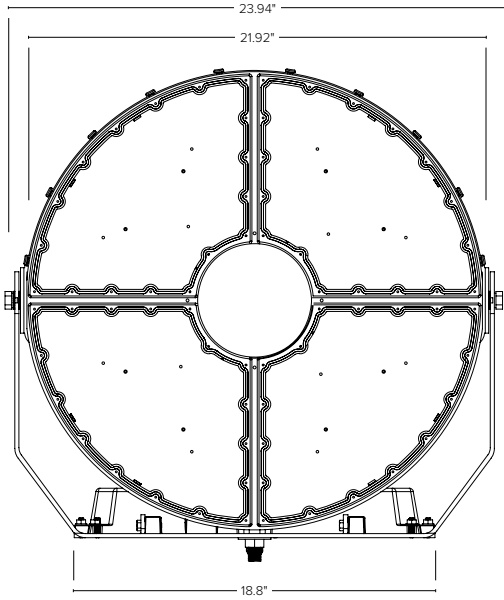
Dimensions:

550W



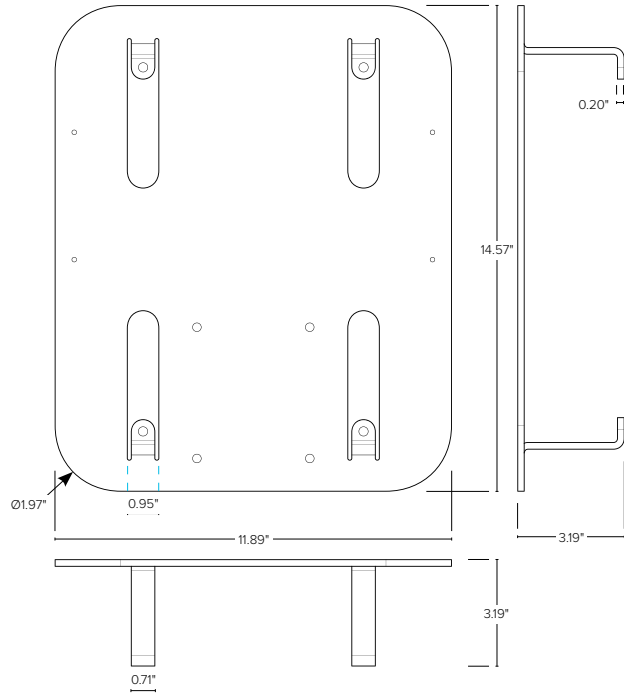
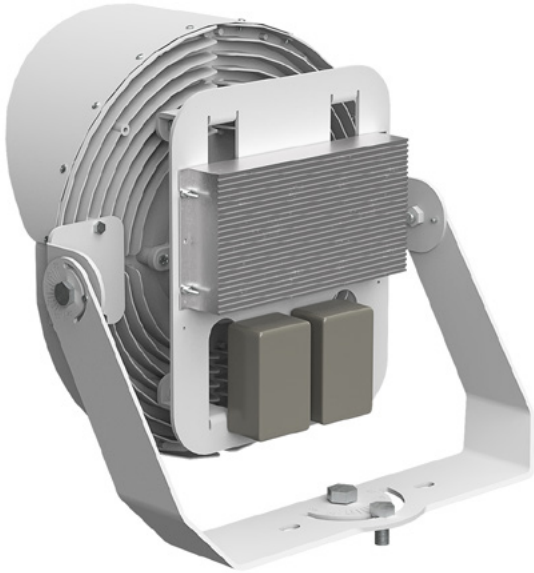
Dimensions:

850W

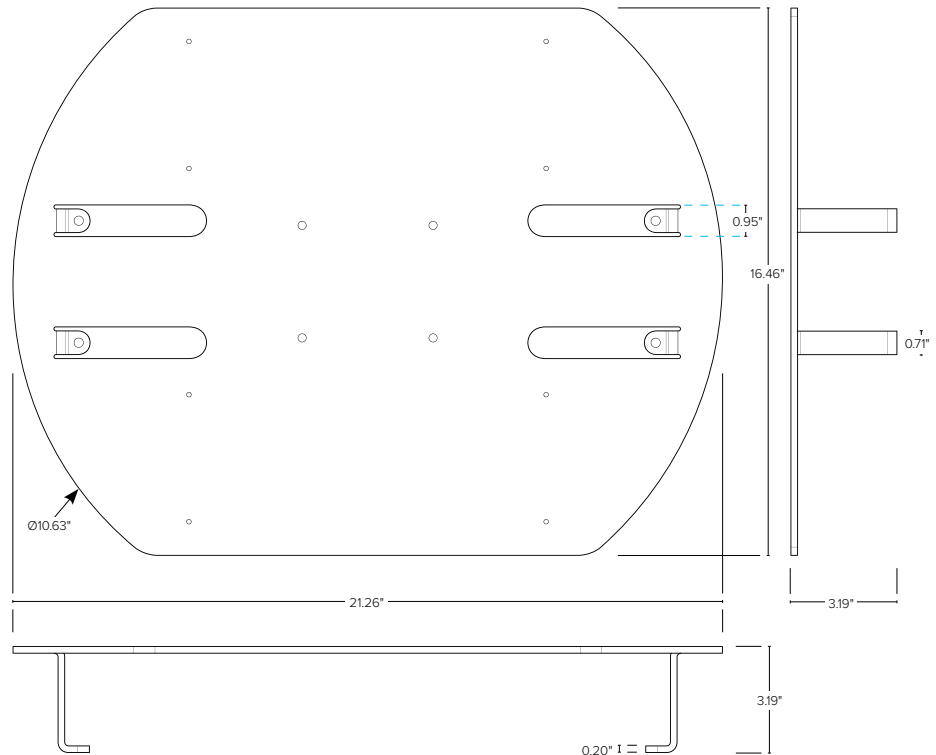
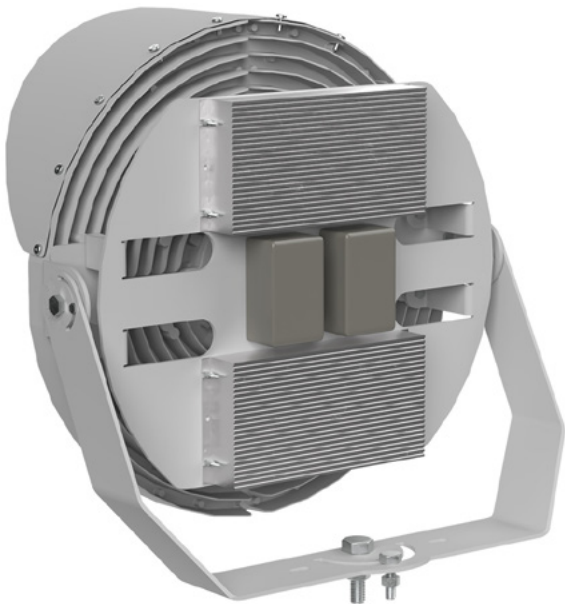


Driver Mount Dimensions:

Back Mount 550W

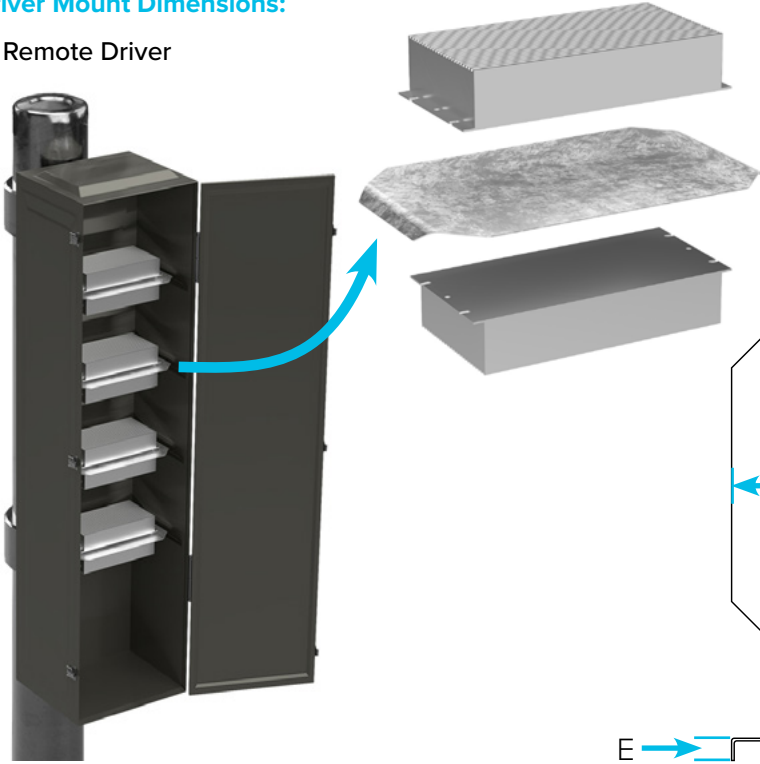


Back Mount 850W

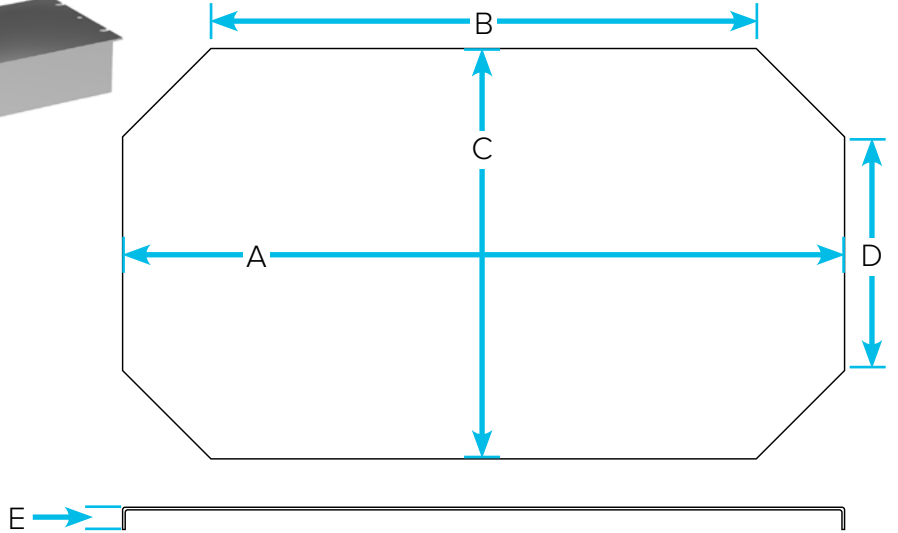


Driver Mount Dimensions:

Remote Driver

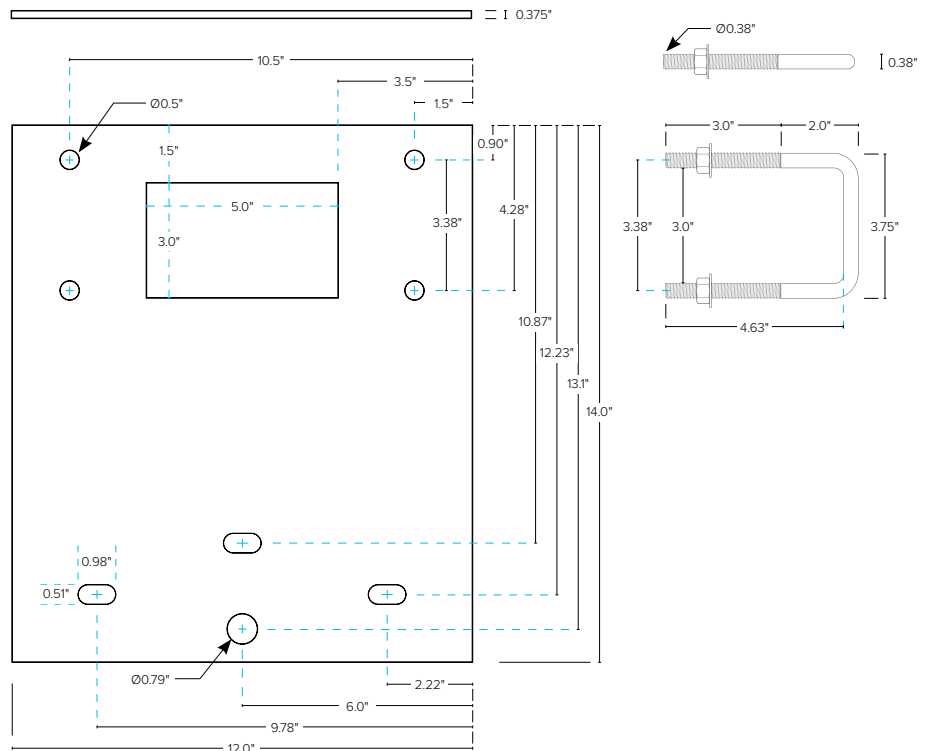
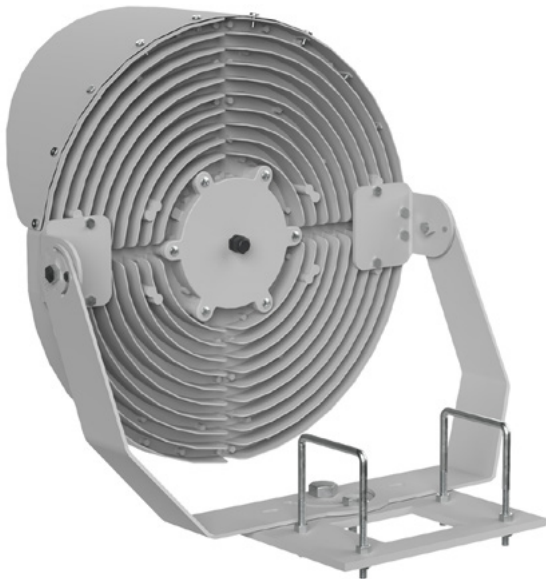


Provide plate measurements when ordering:



Fixture Mount Dimensions:

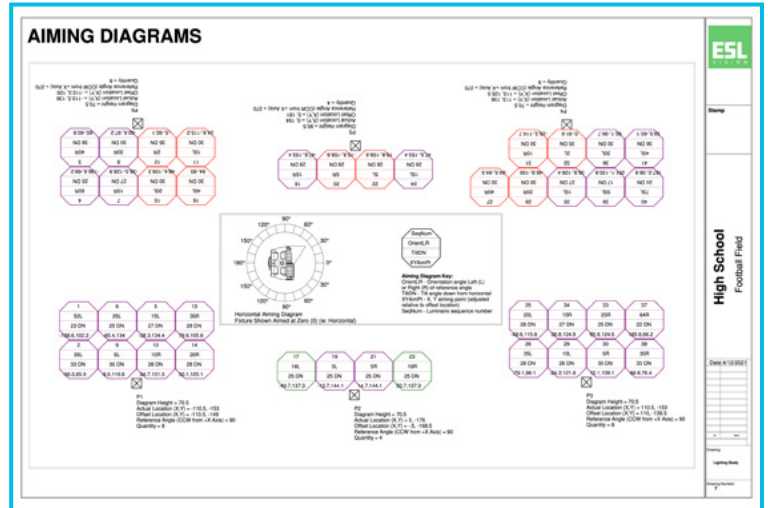
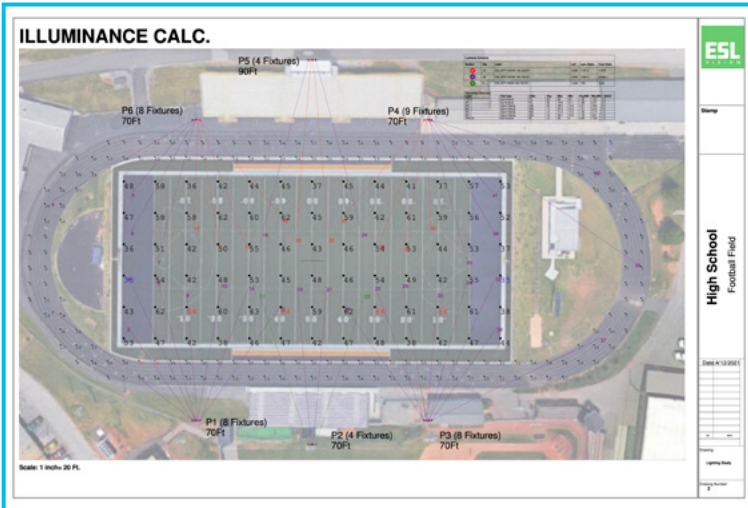
Diving Board Mount with U-Bolts



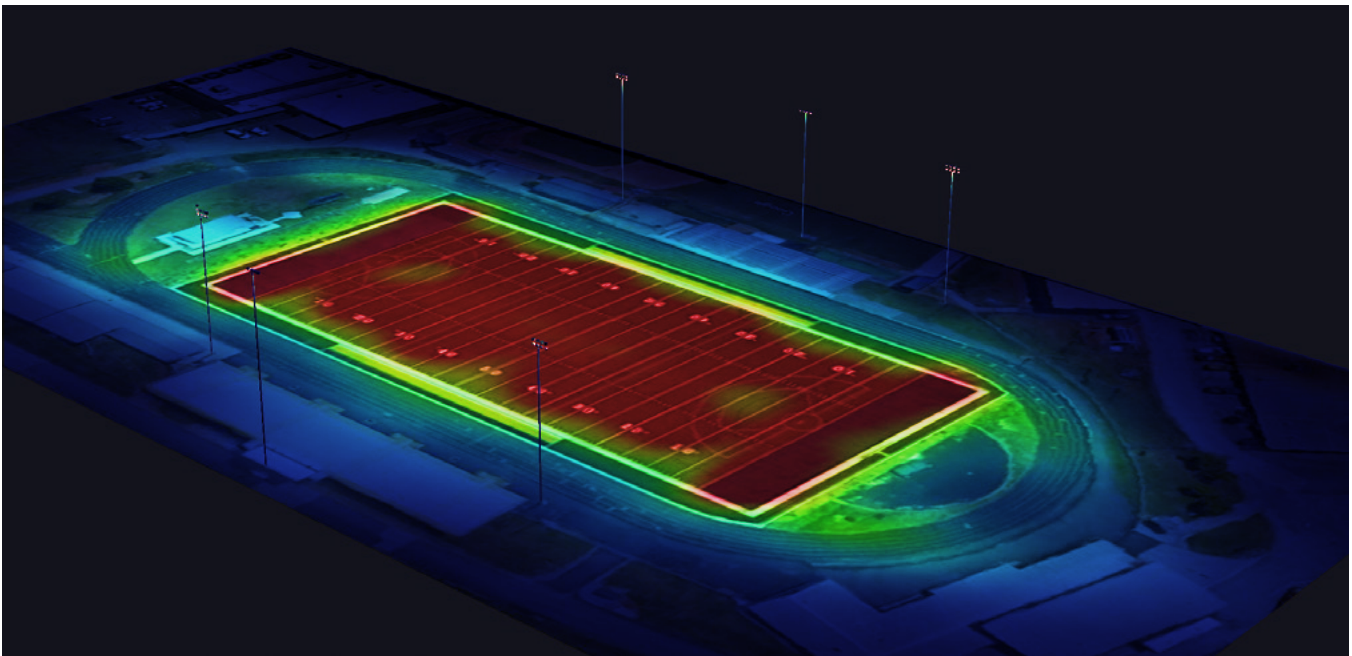


Precision Lighting:

ESL Vision offers lighting layouts with illuminance calculations and aiming diagrams for pin-point precision in creating the optimal lighting for any venue. With a 150° tilt range, a 180° orient range and the optional aiming laser, finding the exact orientation for each fixture is quick and easy.



ILLUMINANCE RENDERING





SYNAPSE

SYNAPSE WIRELESS CONTROL SYSTEM

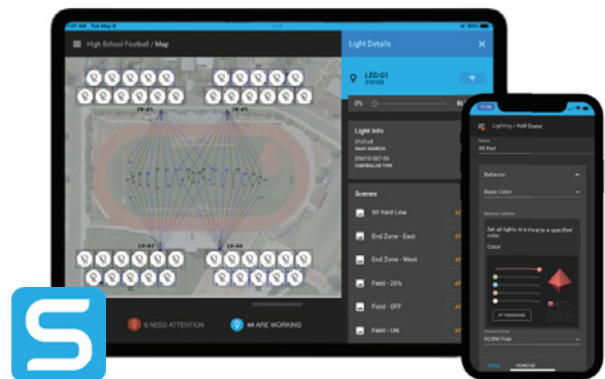
ESL Vision offers the Synapse Wireless Control System for our Stadia Lighting Series. This system utilizes integrated wireless controllers to connect each light to the Synapse SimplySnap Mesh Network. Here the status and programming of each light in the network can be addressed using a web browser based user interface. The user can chose to use [SimplySnap Local](#) or [SimplySnap Cloud LM-Base](#) to connect to each light in the system. The SNAP system offers enhanced back-up, management of multiple sites, outage notifications and performance reports.

- SIMPLE INSTALLATION ALLOWS FOR EASY PRE OR POST INSTALLATION
- WIRELESSLY CONTROL DYNAMIC LIGHTING SETTINGS FROM YOUR PHONE, COMPUTER OR BASE STATION
- CONTROL INDIVIDUAL FIXTURES OR GROUPS OF FIXTURES
- CREATE CUSTOM SCENES OR DYNAMIC BEHAVIORS



SimplySnap Local

- Local management of lights, zones, scenes and schedule
- No internet required
- Built-in WiFi AP or Ethernet
- Browser based app
- Push-button control (CBS)



SimplySnap Cloud LM-Base

- Progressive web app
- Cloud map, scenes and schedules
- Access from anywhere
- Multi-site management
- Single UI across multiple gateways
- Energy reporting
- Cloud user account levels
- Automatic Backups

CONTACT YOUR REPRESENTATIVE TO LEARN MORE