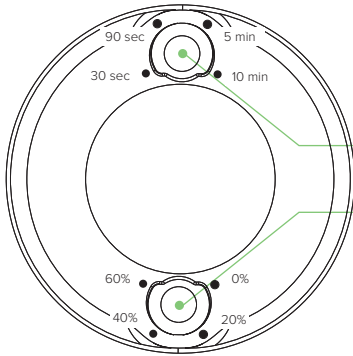
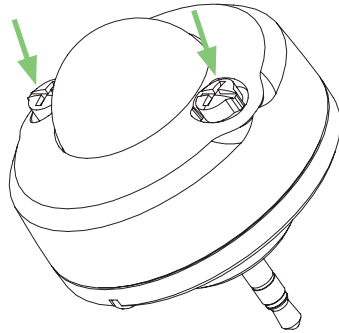


! WARNING

1. To avoid electric shock, disconnect power at source prior to installation.
2. Before conducting any installation, maintenance, or removal, disable all power.
3. Do not touch the fixture while it is in service.
4. Not suitable for enclosed luminaires.
5. Do not directly expose to water.

Timing & Dimming Customization

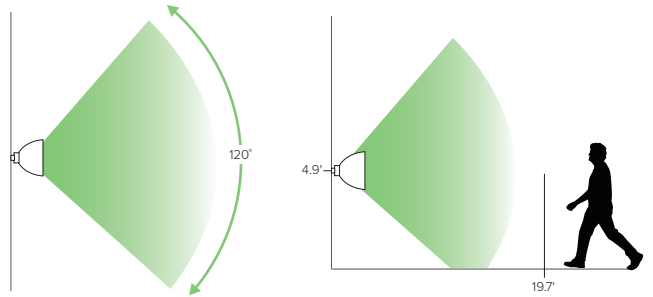
Before installation, select the hold time and stand-by dimming level by rotating each dial to the desired settings.



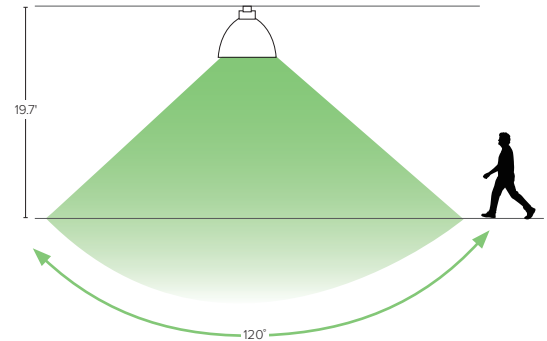
HOLD TIME
The duration the light will remain lit once it senses motion.

STAND-BY DIM LEVEL
The brightness the fixture will adjust to once the hold time has passed.

Wall Mount Sensor Range



Ceiling Mount Sensor Range



Sensor Installation

- 1 Disconnect power to fixture before sensor installation.
- 2 Insert sensor into the top of the fixture.
- 3 Once installation is complete reconnect power to the fixture.

