

Key Features & Benefits:

- Kelvin and Wattage Selectable
- Built In Photocell
- Occupancy and Emergency Options
- Stand-alone 10kV Surge Protection
- Available in White and Bronze Finishes

Project: _____

Date: _____

Catalog #: _____

Notes: _____

Product Specifications:

Selectable Wattage: 25W–40W–55W
 Lumen Output: Up to 6,897 Lumens
 Efficacy (lm/W): Up to 125 Lumens per Watt
 Kelvin: 3000K–4000K–5000K
 Protection: Standard 10kV Surge Protection
 CRI: >80
 Power Frequency: 50/60Hz
 Power Factor: >0.9
 Operating Temperature: -40°F to 122°F
 (-40°C to 50°C)
 Input Voltage: 120–277VAC
 Estimated L70 Lifetime 163,000 hrs Calculated
 Per TM21
 Warranty: 5 Year Warranty
 Product Weight: 6.63 lbs



Easy Access to Photocell with On/Off Switch and Patent Pending Easy Replacement



Ordering Guide:

| ESL | - | TYPE | - | WATTAGE | - | GENERATION | - | KELVIN* | - | VOLTAGE | - | FINISH | - | OPTIONS |
|-----|---|-------------------------------|---|---------------------|---|--------------------|---|--------------------------|---|---------------------|---|------------------------|---|---------|
| ESL | - | FCWP | - | 2555W | - | 2 | - | 3050 | - | (blank) 120–277 VAC | - | ff | - | |
| | | (FCWP) Full Cut Off Wall Pack | | (2555W) 25W–40W–55W | | (2) 2nd Generation | | (3050) 3000K–4000K–5000K | | | | (BZ) Bronze (WH) White | | |

FACTORY INSTALLED OPTIONS

| | |
|-------|---|
| EM5 | Emergency backup battery unit, auto test function, 5 watts output, 90 minutes min, 120–277VAC Input, 30–200VDC output, closed lead wiring, UL listed for factory installation |
| 11OCC | Microwave Occupancy Sensor |

Catalog Data:

| ITEM# | SELECTABLE WATTAGE | SELECTABLE KELVIN* | MAX LUMEN OUTPUT | EFFICACY (lm/W) | DIMENSIONS | DLC QPL CODE |
|--------------------------|--------------------|--------------------|------------------|-----------------|-----------------------|--------------|
| ESL-FCWP-2555W-23050-BZ | 25–40–55 | 3000K–4000K–5000K | 6,897 | 125 | 14.2" x 9.55" x 5.15" | S-2Q6DUH |
| ESL-FCWP-2555W-23050-WH | 25–40–55 | 3000K–4000K–5000K | 6,897 | 125 | | |
| ESL-FCWP-65110W-23050-BZ | 65–85–110 | 3000K–4000K–5000K | 13,174 | 125 | 14.2" x 9.55" x 8.15" | S-5BSL4M |
| ESL-FCWP-65110W-23050-WH | 65–85–110 | 3000K–4000K–5000K | 13,174 | 125 | | |

* Only fixtures using a setting of 3000K are DarkSky approved.

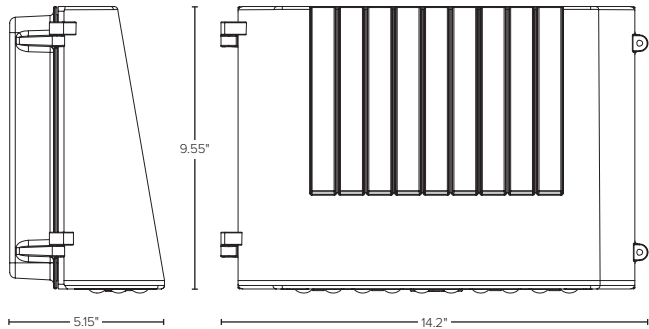
* Not All Part Numbers DLC Qualified. For a Complete Listing Please Consult the DLC Qualified Products List (QPL).

Electrical Load — Standard Voltage:

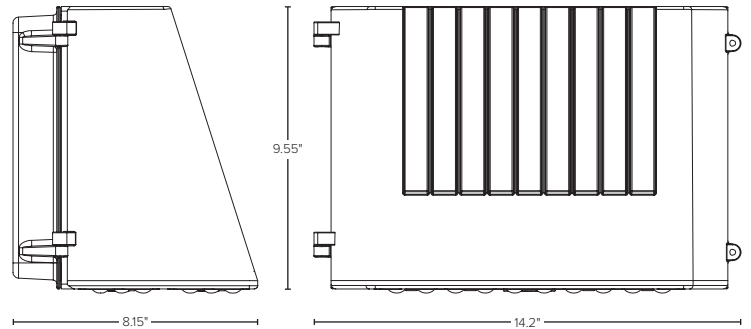
| SYSTEM WATTS | INPUT CURRENT | | | | INPUT WATTAGE | INPUT FREQUENCY | POWER FACTOR | THD | OPERATING TEMPERATURE | SURGE PROTECTION | DIMMING |
|--------------|---------------|---------|---------|---------|---------------|-----------------|--------------|-----|-----------------------------------|--------------------------------|-----------------------|
| | 120 VAC | 208 VAC | 240 VAC | 277 VAC | | | | | | | |
| 25 | 0.21 | 0.12 | 0.10 | 0.09 | 120–277 VAC | 50/60 Hz | >0.9 | | -40°F to 122°F (-40°C to 50°C) | 6kV Driver 10kV Stand-Alone | 0–10V Range 0–100% |
| 40 | 0.33 | 0.19 | 0.17 | 0.14 | 120–277 VAC | 50/60 Hz | >0.9 | | -40°F to 122°F (-40°C to 50°C) | 6kV Driver 10kV Stand-Alone | 0–10V Range 0–100% |
| 55 | 0.46 | 0.26 | 0.23 | 0.20 | 120–277 VAC | 50/60 Hz | >0.9 | | -40°F to 122°F (-40°C to 50°C) | 6kV Driver 10kV Stand-Alone | 0–10V Range 0–100% |
| 65 | 0.54 | 0.31 | 0.27 | 0.23 | 120–277 VAC | 50/60 Hz | >0.9 | | -40°F to 122°F (-40°C to 50°C) | 6kV Driver 10kV Stand-Alone | 0–10V Range 0–100% |
| 85 | 0.71 | 0.41 | 0.35 | 0.31 | 120–277 VAC | 50/60 Hz | >0.9 | | -40°F to 122°F (-40°C to 50°C) | 6kV Driver 10kV Stand-Alone | 0–10V Range 0–100% |
| 110 | 0.92 | 0.53 | 0.46 | 0.40 | 120–277 VAC | 50/60 Hz | >0.9 | | -40°F to 122°F (-40°C to 50°C) | 6kV Driver 10kV Stand-Alone | 0–10V Range 0–100% |

Dimensions:

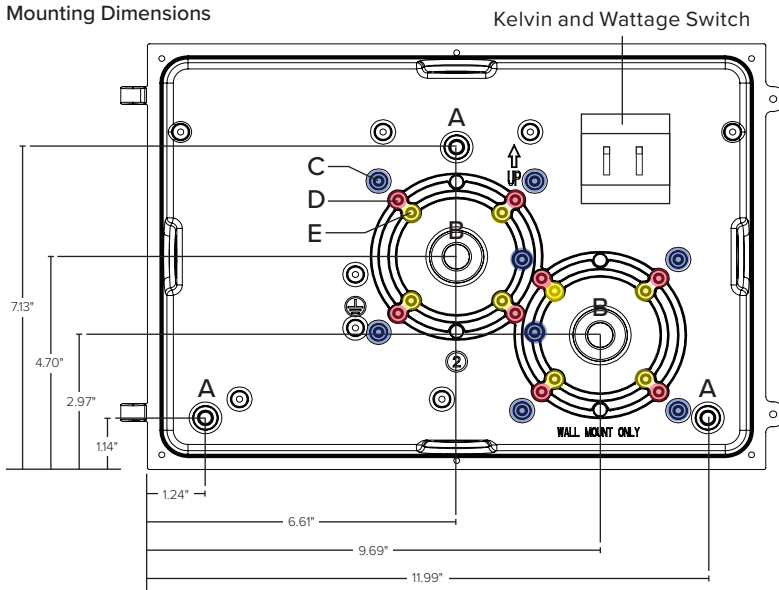
2555W



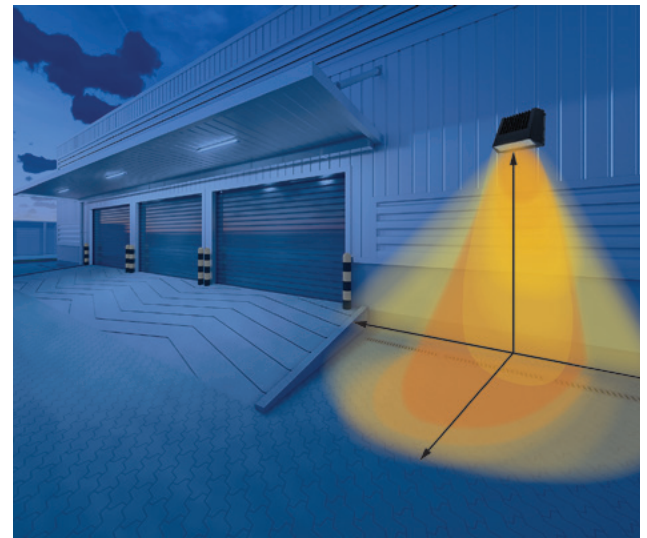
65110W



Mounting Dimensions



Photometric Lighting Diagram



Drill the mounting holes (A), and if pulling wire from a j-box, drill the appropriate center hole (B) and j-box holes (C, D, or E). There are two possible j-box locations, only drill the required holes.

* Only fixtures using a setting of 3000K are DarkSky approved.

* Not All Part Numbers DLC Qualified. For a Complete Listing Please Consult the DLC Qualified Products List (QPL).