

Key Features & Benefits:

- Kelvin and Wattage Selectable
- Built In Photocell
- Occupancy and Emergency Options
- Stand-alone 10kV Surge Protection
- Available in White and Bronze Finishes

Project: _____

Date: _____

Catalog #: _____

Notes: _____

Product Specifications:

Selectable Wattage: 65W–85W–110W
 Lumen Output: Up to 13,174 Lumens
 Efficacy (lm/W): Up to 125 Lumens per Watt
 Kelvin: 3000K–4000K–5000K
 Protection: Standard 10kV Surge Protection
 CRI: >80
 Power Frequency: 50/60Hz
 Power Factor: >0.9
 Operating Temperature: -40°F to 122°F
 (-40°C to 50°C)
 Input Voltage: 120–277VAC
 Estimated L70 Lifetime 149,000 hrs Calculated
 Per TM21
 Warranty: 5 Year Warranty
 Product Weight: 11.88 lbs



Easy Access to Photocell with On/Off Switch and Patent Pending Easy Replacement



Ordering Guide:

ESL	-	TYPE	-	WATTAGE	-	GENERATION	-	KELVIN*	-	VOLTAGE	-	FINISH	-	OPTIONS
ESL	-	FCWP	-	65110W	-	2	-	3050	-	(blank) 120–277 VAC	-	ff	-	
		(FCWP) Full Cut Off Wall Pack		(65110) 65W–85W–110W		(2) 2nd Generation		(3050) 3000K–4000K–5000K				(BZ) Bronze (WH) White		

FACTORY INSTALLED OPTIONS

EM5	Emergency backup battery unit, auto test function, 5 watts output, 90 minutes min, 120–277VAC Input, 30–200VDC output, closed lead wiring, UL listed for factory installation
11OCC	Microwave Occupancy Sensor

Catalog Data:

ITEM#	SELECTABLE WATTAGE	SELECTABLE KELVIN*	MAX LUMEN OUTPUT	EFFICACY (lm/W)	DIMENSIONS	DLC QPL CODE
ESL-FCWP-2555W-23050-BZ	25–40–55	3000K–4000K–5000K	6,897	125	14.2" x 9.55" x 5.15"	S-2Q6DUH
ESL-FCWP-2555W-23050-WH	25–40–55	3000K–4000K–5000K	6,897	125		
ESL-FCWP-65110W-23050-BZ	65–85–110	3000K–4000K–5000K	13,174	125	14.2" x 9.55" x 8.15"	S-5BSL4M
ESL-FCWP-65110W-23050-WH	65–85–110	3000K–4000K–5000K	13,174	125		

* Only fixtures using a setting of 3000K are DarkSky approved.

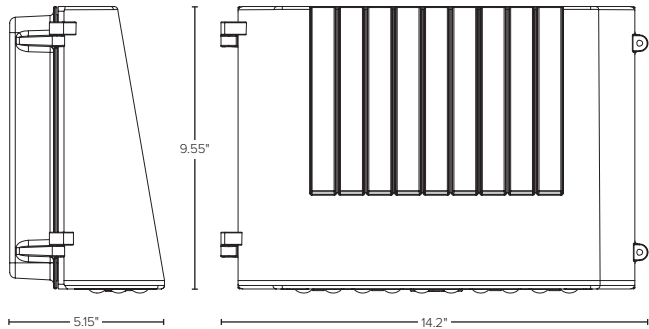
* Not All Part Numbers DLC Qualified. For a Complete Listing Please Consult the DLC Qualified Products List (QPL).

Electrical Load — Standard Voltage:

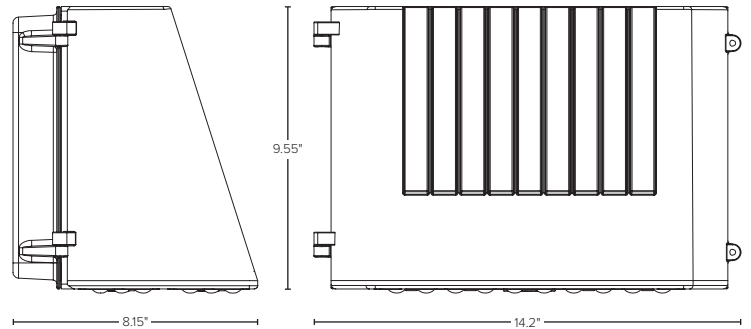
SYSTEM WATTS	INPUT CURRENT				INPUT WATTAGE	INPUT FREQUENCY	POWER FACTOR	THD	OPERATING TEMPERATURE	SURGE PROTECTION	DIMMING
	120 VAC	208 VAC	240 VAC	277 VAC							
25	0.21	0.12	0.10	0.09	120–277 VAC	50/60 Hz	>0.9		-40°F to 122°F (-40°C to 50°C)	6kV Driver 10kV Stand-Alone	0–10V Range 0–100%
40	0.33	0.19	0.17	0.14	120–277 VAC	50/60 Hz	>0.9		-40°F to 122°F (-40°C to 50°C)	6kV Driver 10kV Stand-Alone	0–10V Range 0–100%
55	0.46	0.26	0.23	0.20	120–277 VAC	50/60 Hz	>0.9		-40°F to 122°F (-40°C to 50°C)	6kV Driver 10kV Stand-Alone	0–10V Range 0–100%
65	0.54	0.31	0.27	0.23	120–277 VAC	50/60 Hz	>0.9		-40°F to 122°F (-40°C to 50°C)	6kV Driver 10kV Stand-Alone	0–10V Range 0–100%
85	0.71	0.41	0.35	0.31	120–277 VAC	50/60 Hz	>0.9		-40°F to 122°F (-40°C to 50°C)	6kV Driver 10kV Stand-Alone	0–10V Range 0–100%
110	0.92	0.53	0.46	0.40	120–277 VAC	50/60 Hz	>0.9		-40°F to 122°F (-40°C to 50°C)	6kV Driver 10kV Stand-Alone	0–10V Range 0–100%

Dimensions:

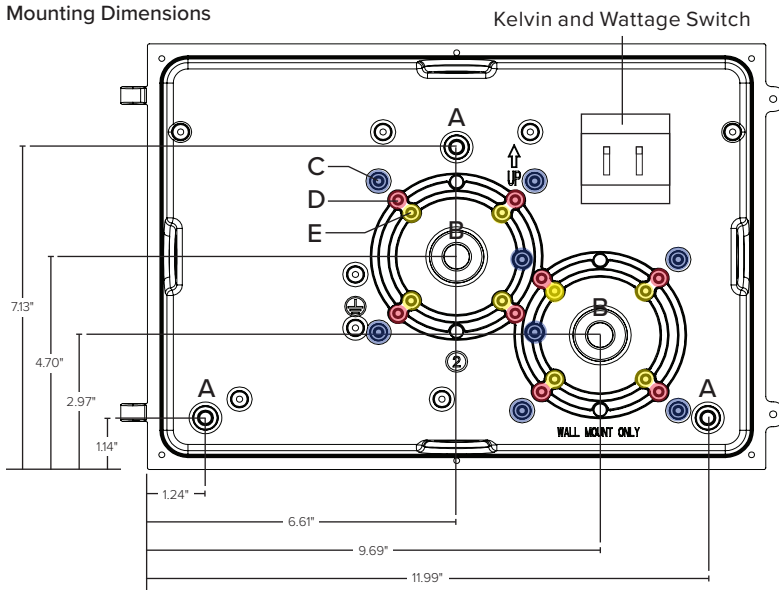
2555W



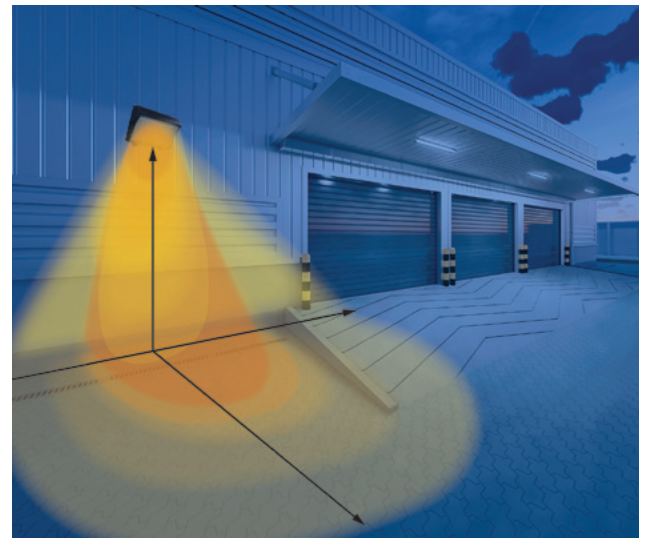
65110W



Mounting Dimensions



Photometric Lighting Diagram



Drill the mounting holes (A), and if pulling wire from a j-box, drill the appropriate center hole (B) and j-box holes (C, D, or E). There are two possible j-box locations, only drill the required holes.

* Only fixtures using a setting of 3000K are DarkSky approved.

* Not All Part Numbers DLC Qualified. For a Complete Listing Please Consult the DLC Qualified Products List (QPL).