



LED VAPOR TIGHT SERIES



Ti - VP4S - 15 Watts

PAGE 1 OF 3

Key Features & Benefits:

- Housing:
 - 5VA UV protected fiberglass housing
 - Silicone perimeter gasket
 - Stainless steel mounting brackets
- Lens:
 - Clear 100% impact modified acrylic
 - UV stabilized lens
 - Clear polycarbonate clips
- Gear Trey:
 - Pre-painted cold rolled steel
 - Easy access for quick installation
 - Secured with stainless steel wire
- Long Life:
 - 10 year warranty (12 hour run times)
 - 7 year warranty (24 hour run times)
- Ingress IP66 - Suitable for wet locations
- Control Options:
 - Photocell
 - Occupancy
- Emergency capable
- 1/2" NPT / M20 fittings on both sides



Project: _____

Date: _____

Catalog #: _____

Notes: _____



Electrical Data:

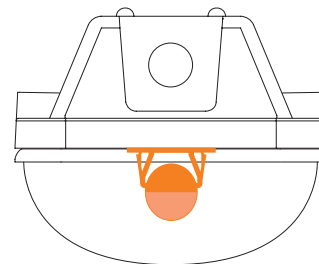
Light Specifications:

Lumen Output: Up to 2,025 Lumens
 Efficacy (lm/W): Up to 135 Lumens per Watt
 Kelvin: 3000K, 3500K, 4000K, 5000K
 Color Rendering Index (CRI): >82
 Rated Life: > 80,000 hrs

Driver Data:

Input Voltage: 120-277 VAC
 Input Power: 15W
 Input Current @ 120V: 0.125 Amps
 Input Current @ 240V: 0.063 Amps
 Input Current @ 277V: 0.0542 Amps
 Total Harmonic Distortion (THD): <10%
 Power Factor: >0.99
 Operating Temperature: -4 ~ 122°F

Single Ti
Normal Distribution



Catalog Data:

ITEM#	WATTS	LUMEN OUTPUT	EFFICACY (lm/W)	KELVIN
ESL-TI-VP4S-S-15W-F30	15W	1,935	129	3000K
ESL-TI-VP4S-S-15W-F35	15W	1,935	129	3500K
ESL-TI-VP4S-S-15W-F40	15W	1,980	132	4000K
ESL-TI-VP4S-S-15W-F50	15W	2,025	135	5000K

* Made in the USA option available upon request

Ordering Guide: Example Part Number: ESL-TI-VP4S-S-15W-F30

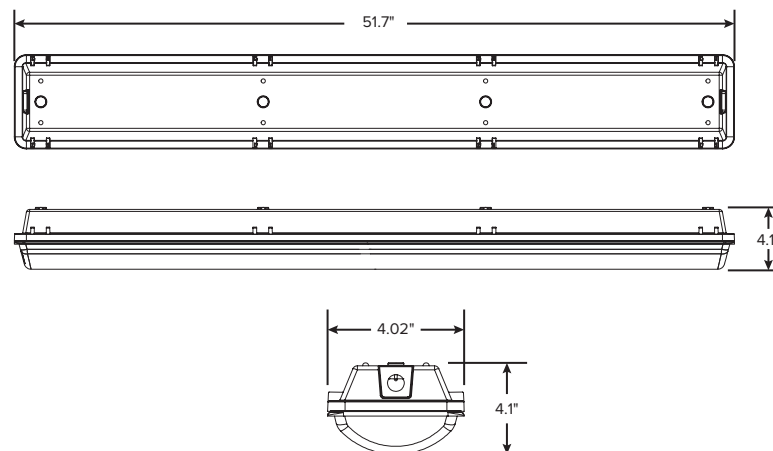
ESL	Ti	VP4S	S	15W	F		
ESL	TYPE	SERIES	LISTING	WATTS	LENS	KELVIN	OPTIONS
	Ti Series	VP4S (Slim)	S	15W (15 Watts)	F (Frosted)	30 (3000 Kelvin) 35 (3500 Kelvin) 40 (4000 Kelvin) 50 (5000 Kelvin)	

Additional Options:

- **Emergency:**
 - ESL-EMG-FDC-9.5W (Emergency Backup, 1100 Lumens, 90 Min)
- **Cord Sets:***
 - ESL-CS3W-6 (Cord Set, White, 3 wire, 6 foot)
 - ESL-CS3W-6P (Cord Set, White, 3 wire, 6 foot, Standard Plug)
 - ESL-CS3W-6TL (Cord Set, White, 3 wire, 6 foot, Twist lock Plug)
 - ESL-CS3W-12 (Cord Set, White, 3 wire, 12 foot)
 - ESL-CS3W-12P (Cord Set, White, 3 wire, 12 foot, Standard Plug)
 - ESL-CS3W-12TL (Cord Set, White, 3 wire, 12 foot, Twist lock Plug)
- **Latches:**
 - ESL-VPSS (Stainless Steel Latches)
- **Miscellaneous:**
 - ESL-SPD-277-1 (Surge Protector; 100-277V)
 - ESL-480V-SD01 (480 Volt Step Down Transformer)
- **Sensors & Controls:**
 - ESL-4OCC (Microwave Occupancy Sensor)
 - ESL-4OCP (Photocell & Microwave Occupancy Sensor)
 - ESL-4OPH (Photocell)
 - ESL-3OCC (IP65 High Bay 0-10v Dimming Sensor)
 - ESL-REM100 (Remote for EL-3OCC)
 - ESL-REM101 (Remote for ESL-4OCC, 4OCP, 4OPH)
- **Mounting:**
 - ESL-VP-CM-VP4S (Direct Mount to the Ceiling for the 4' Slim Fixture - 2 per)

*Other lengths and black cord available upon request

Dimensions:



VP2 SERIES - 2'



NARROW DISTRIBUTION	SERIES	PART NUMBER	WATTS	(lm/W)*	LUMENS*
	Ti VP2N	ESL-TI-VP2N-S-20W-FXX	20	105	2,100
Ti VP2N	ESL-TI-VP2N-S-30W-FXX	30	105	3,150	
—WIDE— DISTRIBUTION	SERIES	PART NUMBER	WATTS	(lm/W)*	LUMENS*
	Ti VP2W	ESL-TI-VP2N-S-20W-FXX	20	105	2,100
Ti VP2W	ESL-TI-VP2N-S-30W-FXX	30	105	3,150	

VP4S SERIES - 4'



—SLIM— SINGLE LAMP BODY	SERIES	PART NUMBER	WATTS	(lm/W)*	LUMENS*
	Ti VP4S	ESL-TI-VP4S-S-13W-FXX	13	105	1,365
Ti VP4S	ESL-TI-VP4S-S-15W-FXX	15	105	1,575	
Ti VP4S	ESL-TI-VP4S-S-18W-FXX	18	100	1,800	
Ti VP4S	ESL-TI-VP4S-S-22W-FXX	22	105	2,310	
TiHO VP4S	ESL-TIHO-VP4S-S-30W-FYY	30	105	3,150	

VP4 SERIES - 4'



NARROW DISTRIBUTION	SERIES	PART NUMBER	WATTS	(lm/W)*	LUMENS*
	Ti VP4N	ESL-TI-VP4N-S-26W-FXX	26	105	2,730
	Ti VP4N	ESL-TI-VP4N-S-30W-FXX	30	105	3,150
	Ti VP4N	ESL-TI-VP4N-S-36W-FXX	36	105	3,780
	Ti VP4N	ESL-TI-VP4N-S-44W-FXX	44	105	4,620
	Ti VP4N	ESL-TI-VP4N-S-39W-FXX	39	105	4,095
	Ti VP4N	ESL-TI-VP4N-S-45W-FXX	45	105	4,725
	Ti VP4N	ESL-TI-VP4N-S-54W-FXX	54	105	5,670
	Ti VP4N	ESL-TI-VP4N-S-66W-FXX	66	105	6,930
	TiHO VP4N	ESL-TIHO-VP4N-S-60W-FYY	60	105	6,300
	TiHO VP4N	ESL-TIHO-VP4N-S-90W-FYY	90	105	9,450
—WIDE— DISTRIBUTION	SERIES	PART NUMBER	WATTS	(lm/W)*	LUMENS*
	Ti VP4W	ESL-TI-VP4W-S-26W-FXX	26	105	2,730
	Ti VP4W	ESL-TI-VP4W-S-30W-FXX	30	105	3,150
	Ti VP4W	ESL-TI-VP4W-S-36W-FXX	36	105	3,780
	Ti VP4W	ESL-TI-VP4W-S-44W-FXX	44	105	4,620
	Ti VP4W	ESL-TI-VP4W-S-39W-FXX	39	105	4,095
	Ti VP4W	ESL-TI-VP4W-S-45W-FXX	45	105	4,725
	Ti VP4W	ESL-TI-VP4W-S-54W-FXX	54	105	5,670
	Ti VP4W	ESL-TI-VP4W-S-66W-FXX	66	105	6,930
	TiHO VP4W	ESL-TIHO-VP4W-S-60W-FYY	60	105	6,300

VP8W SERIES - 8'



—WIDE— DISTRIBUTION	SERIES	PART NUMBER	WATTS	(lm/W)*	LUMENS*
	Ti VP8W	ESL-TI-VP8W-S-52W-FXX	52	105	5,460
	Ti VP8W	ESL-TI-VP8W-S-60W-FXX	60	105	6,300
	Ti VP8W	ESL-TI-VP8W-S-72W-FXX	72	105	7,560
	Ti VP8W	ESL-TI-VP8W-S-88W-FXX	88	105	9,240
	TiHO VP8W	ESL-TIHO-VP8W-S-120W-FYY	120	105	12,600

VP8N SERIES - 8'



NARROW DISTRIBUTION	SERIES	PART NUMBER	WATTS	(lm/W)*	LUMENS*
	Ti VP8N	ESL-TI-VP8N-S-26W-FXX	26	105	2,730
	Ti VP8N	ESL-TI-VP8N-S-30W-FXX	30	105	3,150
	Ti VP8N	ESL-TI-VP8N-S-36W-FXX	36	105	3,780
	Ti VP8N	ESL-TI-VP8N-S-44W-FXX	44	105	4,620
	Ti VP8N	ESL-TI-VP8N-S-52W-FXX	52	105	5,460
	Ti VP8N	ESL-TI-VP8N-S-60W-FXX	60	105	6,300
	Ti VP8N	ESL-TI-VP8N-S-72W-FXX	72	105	7,560
	Ti VP8N	ESL-TI-VP8N-S-88W-FXX	88	105	9,240
	TiHO VP8N	ESL-TIHO-VP8N-S-60W-FYY	60	105	6,300
	TiHO VP8N	ESL-TIHO-VP8N-S-120W-FYY	120	105	12,600

VPHB SERIES - HIGH BAY



VAPOR TIGHT —HIGH BAY—	SERIES	PART NUMBER	WATTS	(lm/W)*	LUMENS*
	TiHO VPHB	ESL-TIHO-VPHB-S-120W-FYY	120	127	14,820
	TiHO VPHB	ESL-TIHO-VPHB-S-150W-FYY	150	122	18,168
TiHO VPHB	ESL-TIHO-VPHB-S-180W-FYY	180	122	22,093	

*At 5000K. See spec sheets for other kelvins
 XX = 30, 35, 40, or 50 for kelvin temperature
 YY = 40 or 50 for kelvin temperature