

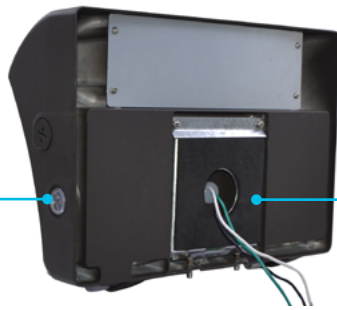
Key Features & Benefits:

- Kelvin and Wattage Selectable
- Built In Photocell
- Occupancy and Emergency Options
- Stand-alone 10kV Surge Protection
- Available in White and Bronze Finishes

Project: _____ Date: _____
 Catalog #: _____
 Notes: _____

Product Specifications:

Selectable Wattage: 40W–55W–70W
 Lumen Output: Up to 9,491 Lumens
 Efficacy (lm/W): Up to 138 Lumens per Watt
 Selectable Kelvin: 3000K, 4000K, 5000K
 CRI: >80
 Power Frequency: 50/60Hz
 Power Factor: >0.9
 Operating Temperature: -40°F to 122°F (-40°C to 50°C)
 Input Voltage: 120–277VAC
 Estimated L70 Lifetime 145,000 hrs Calculated Per TM21
 Warranty: 5 Year Warranty
 Product Weight: 6.02 lbs



Easy Access to Photocell with On/Off Switch and Patent Pending Easy Replacement

Included Quick Mount Plate for easy and contractor friendly installation



Ordering Guide:

ESL	-	TYPE	-	WATTAGE	-	GENERATION	-	KELVIN	-	VOLTAGE	-	FINISH	-	OPTIONS
ESL	-	WP	-	4070W	-	6	-	3050	-	(blank) 120–277 VAC	-	ff	-	
		(WP) Wall Pack		(4070W) 40W–55W–70W (70100) 70W–85W–100W		(6) 6th Generation		(3050) 3000K–4000K–5000K				(BZ) Bronze (WH) White		

FACTORY INSTALLED OPTIONS

EM5	Emergency backup battery unit, auto test function, 5 watts output, 90 minutes min, 120–277VAC Input, 30–200VDC output, closed lead wiring, UL listed for factory installation
11OCC	Microwave Occupancy Sensor

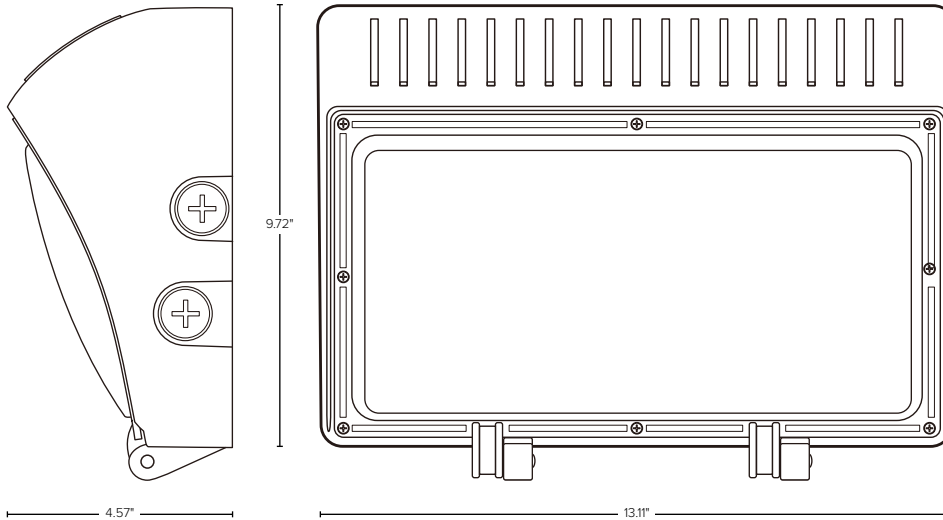
Catalog Data:

ITEM#	SELECTABLE WATTAGE	SELECTABLE KELVIN	MAX LUMEN OUTPUT	EFFICACY (lm/W)	DIMENSIONS	DLC QPL CODE
ESL-WP-4070W-63050-BZ	40W–55W–70W	3000K–4000K–5000K	9,491	137	13.11" x 9.72" x 4.57"	S-OVCPS3
ESL-WP-4070W-63050-WH						
ESL-WP-70100W-63050-BZ	70W–85W–100W	3000K–4000K–5000K	13,611	138	13.11" x 9.72" x 4.57"	S-U1T7IP
ESL-WP-70100W-63050-WH						

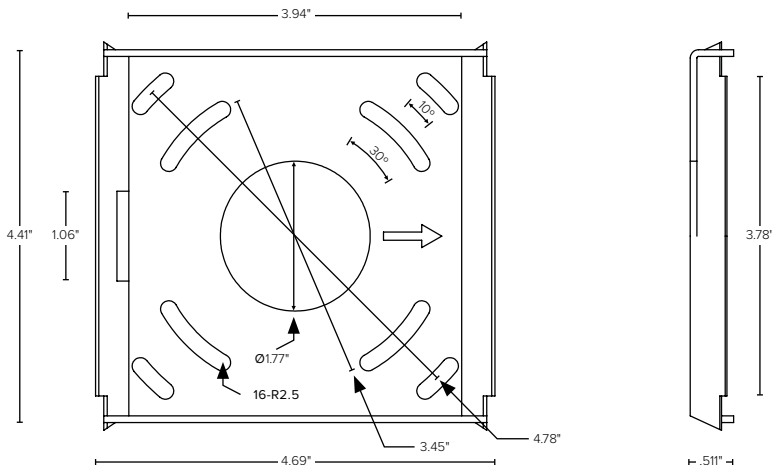
Electrical Load — Standard Voltage:

SYSTEM WATTS	INPUT CURRENT				INPUT WATTAGE	INPUT FREQUENCY	POWER FACTOR	THD	OPERATING TEMPERATURE	SURGE PROTECTION	DIMMING
	120 VAC	208 VAC	240 VAC	277 VAC							
40	0.33	0.19	0.17	0.14	120–277 VAC	50/60 Hz	>0.9		-40°F to 122°F (-40°C to 50°C)	6kV Driver 10kV Stand-Alone	0–10V Range 0–100%
55	0.46	0.26	0.23	0.20	120–277 VAC	50/60 Hz	>0.9		-40°F to 122°F (-40°C to 50°C)	6kV Driver 10kV Stand-Alone	0–10V Range 0–100%
70	0.58	0.34	0.29	0.25	120–277 VAC	50/60 Hz	>0.9		-40°F to 122°F (-40°C to 50°C)	6kV Driver 10kV Stand-Alone	0–10V Range 0–100%
85	0.71	0.41	0.35	0.31	120–277 VAC	50/60 Hz	>0.9		-40°F to 122°F (-40°C to 50°C)	6kV Driver 10kV Stand-Alone	0–10V Range 0–100%
100	0.83	0.48	0.42	0.36	120–277 VAC	50/60 Hz	>0.9		-40°F to 122°F (-40°C to 50°C)	6kV Driver 10kV Stand-Alone	0–10V Range 0–100%

Dimensions:



Mounting Plate



Photometric Lighting Diagram

