

### Key Features & Benefits:

- Kelvin and Wattage Selectable
- Built-In Patent-Pending Replaceable Photocell
- Quick-Mount Plate and Built-in Level
- Visual Comfort Lens
- 10kV Surge Protector
- Available in Bronze and White Finishes

Project: \_\_\_\_\_ Date: \_\_\_\_\_

Catalog #: \_\_\_\_\_

Notes: \_\_\_\_\_

### Product Specifications:

Selectable Wattage: 25W–45W–65W  
 Selectable Kelvin: 3000K–4000K–5000K  
 Lumens: Up to 8,060  
 Efficacy: Up to 124 lm/W  
 Input Voltage: 120–277 VAC  
 Input Frequency: 50/60 Hz  
 Operating Temperature: -40°F to 104°F (-40°C to 40°C)  
 Dimming: 0–10V  
 CRI: >70  
 Warranty: 7 Years  
 L70 Lifetime 90,000 Hours calculated per TM21  
 Dimensions (LxWxH): 16.54" x 9.25" x 7.1"  
 Weight (lbs): 11.9



### Ordering Guide:

ESL	TYPE	SELECTABLE WATTAGE	GENERATION	SELECTABLE KELVIN	FINISH	OPTIONS
ESL	WPTP <small>(WPTP) Geometric Wallpack</small>	2565W <small>(2565W) 25W–45W–65W</small>	1 <small>(1) 1st Generation</small>	3050 <small>(3050) 3000K–4000K–5000K</small>	ff <small>(BZ) Bronze (WH) White</small>	

### FACTORY INSTALLED OPTIONS

EM9	Emergency Backup Battery Unit, Auto Test Function, 9 Watts Output, 90 Minutes Minimum, 120–277 VAC Input, 10–300 VDC Output, Open Terminal Block Wiring, UL Listed for Factory or Field Install, Title 20
-----	---

### Catalog Data:

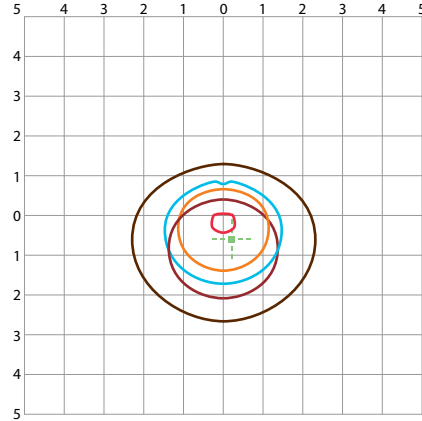
ITEM#	SELECTABLE WATTAGE	SELECTABLE KELVIN	MAX LUMEN OUTPUT	MAX EFFICACY (lm/w)	DIMENSIONS (LxWxH)	DLC QPL CODE
ESL-WPTP-2565W-13050-BZ	25W–45W–65W	3000K–4000K–5000K	8,060	124	9.25" x 16.5" x 7.1"	S-B8PKWL
ESL-WPTP-2565W-13050-WH	25W–45W–65W	3000K–4000K–5000K	8,060	124	9.25" x 16.5" x 7.1"	S-B8PKWL

### Photometrics:

#### LEGEND

- 20 fc
  - 10 fc
  - 5 fc
  - 1 fc
  - 0.5 fc
  - 0.1 fc
  - 50% Max Cd
  - Max Cd
- Distances are based on units of 25' mounting height

**Geometric Wall Pack**  
ESL-WPTP-2565W-13050-ff  
(based on 65W and 4000K)



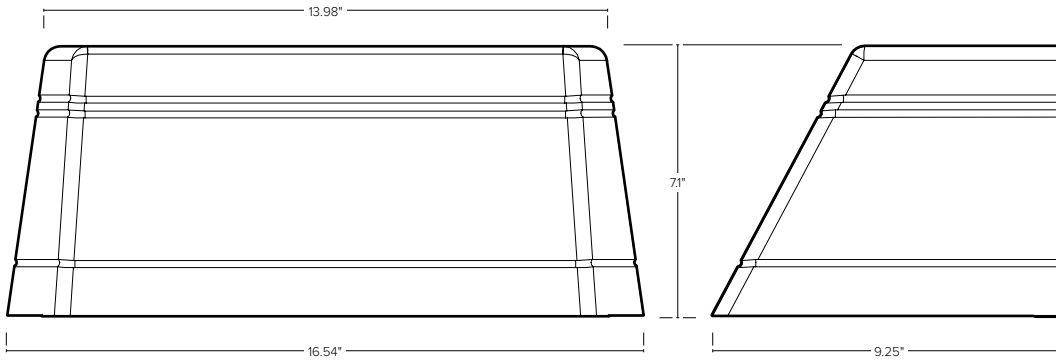
### LCS Table

**Geometric Wall Pack**  
ESL-WPTP-2565W-13050-ff – BUG Rating: B3–U2–G1  
(based on 65W and 4000K)

	BUG Rating	Lumens	Lumens%
Forward Light	Low (0–30)	1,528.9	18%
	Medium (30-60)	3,323.8	39.1%
	High (60-80)	1,142.6	13.4%
	Very High (80-90)	85.9	1%
Back Light	Low (0–30)	1,046.9	12.3%
	Medium (30-60)	1,120.8	13.2%
	High (60-80)	203.4	2.4%
	Very High (80-90)	16.2	0.2%
Uplight	Low (90-100)	6.0	0.1%
	High (100-180)	25.7	0.3%
Trapped Light		7.5	0.1%

### Dimensions:

**Geometric Wall Pack**  
ESL-WPTP-2565W-13050-ff



### Lumen Ambient Temperature (LAT) Multipliers:

AMBIENT		LUMEN MULTIPLIER
0 °C	32 °F	1.02
10 °C	50 °F	1.01
20 °C	68 °F	1.00
25 °C	77 °F	1.00
30 °C	86 °F	1.00
40 °C	104 °F	0.99
50 °C	122 °F	0.96