



STADIA SERIES

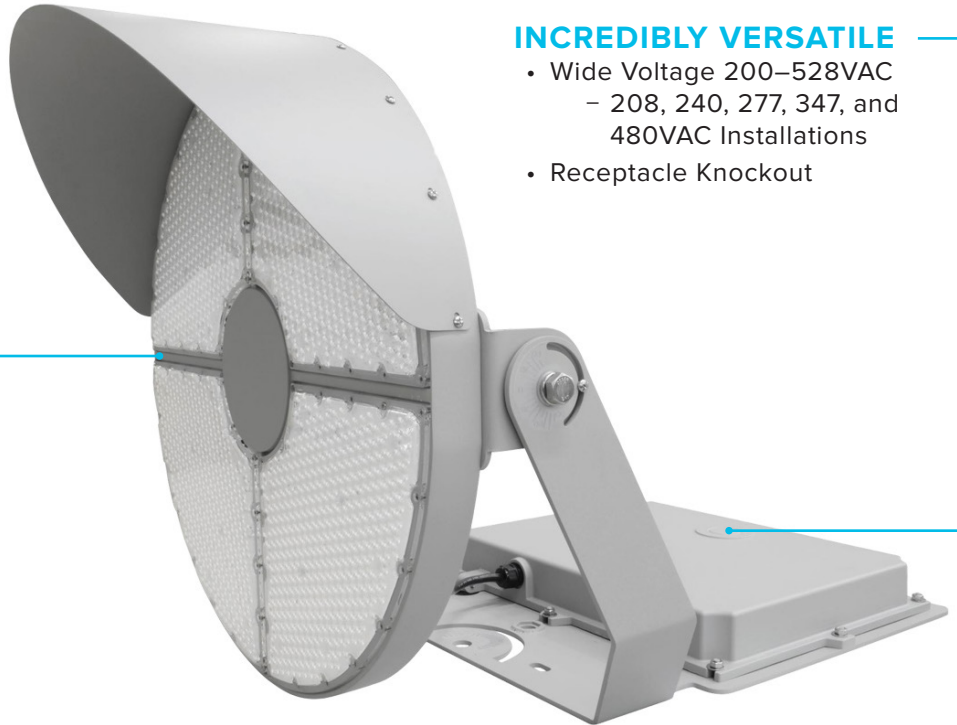
Introducing STADIA, the revolutionary new sports light from ESL Vision. Crafted with high-impact polycarbonate optics and a powder coated die-cast aluminum body for extreme durability, this versatile light delivers exceptional brightness and clarity and offers a wide range of options to achieve the ideal illumination for your venue. With optional network integration for light management and dynamic effects, the STADIA series is destined to be your MVP for many seasons to come.

INTENSELY BRIGHT & BRILLIANTLY DEFINED

- Up to 145,117 Lumens (850W)
- Up to 88,967 Lumens (550W)
- Over 171 Lumens Per Watt

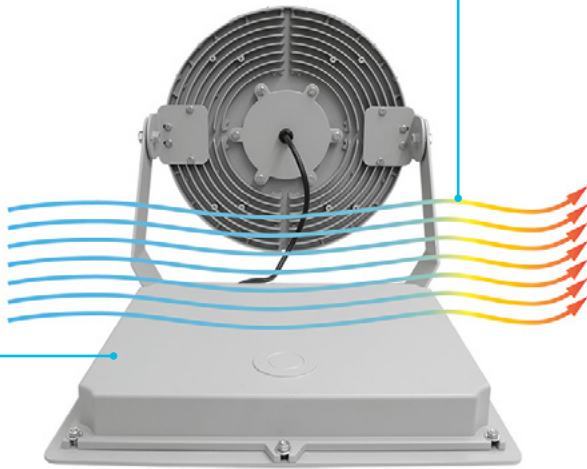
INNOVATIVE DESIGN

- Isolated LEDs & Driver Box Allow Airflow for Maximum Heat Dissipation



INCREDIBLY VERSATILE

- Wide Voltage 200–528VAC – 208, 240, 277, 347, and 480VAC Installations
- Receptacle Knockout



ABSOLUTE PRECISION

- Multiple Beam Angles
 - Eliminate Hot Spots
 - Ensure Uniform Lighting
 - Meets Foot-Candle Requirements



EXTREME DURABILITY FOR EXTENDED LIFE

- Heavy Duty One-Piece Cast with Cooling Fins
- Fully Sealed Housing
- 20 Year Warranty

20' CORD SET STANDARD

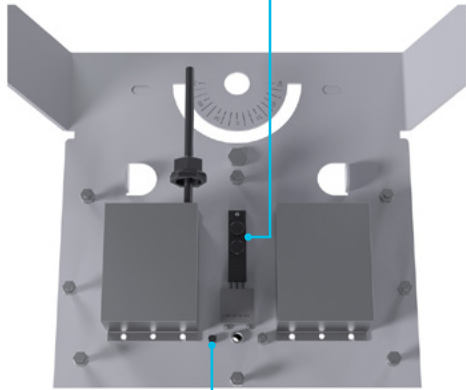


FEATURES THE COMPETITION CAN'T MATCH

Featuring dual surge protection and wide voltage adaptability, STADIA provides unparalleled reliability and flexibility in challenging environments. Its 0-10v dimming and optional network integration give you complete control over your lighting, while dynamic lighting effects create a stunning visual experience for players and fans alike. Plus, with its counterbalanced design that simplifies installation, STADIA is the clear choice for sports lighting.

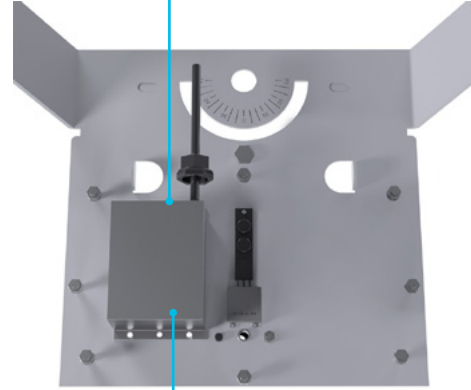
DUAL SURGE PROTECTION

- 20kV Stand-Alone, 6kV Built-In



850W Dual Drivers

0-10V DIMMING



550W Single Driver

OPTIONAL NETWORK INTEGRATION

- Wireless Controls
- Dynamic Lighting Effects

WIDE VOLTAGE INPUT

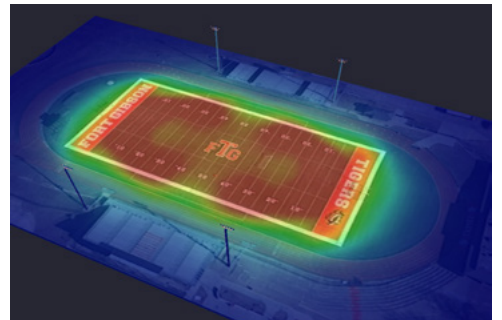
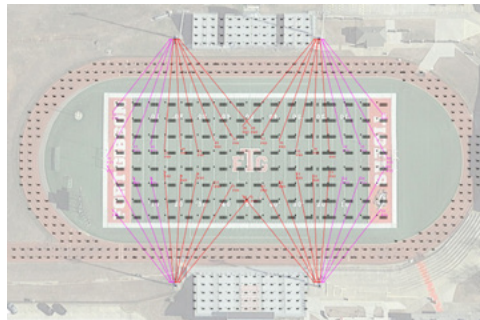
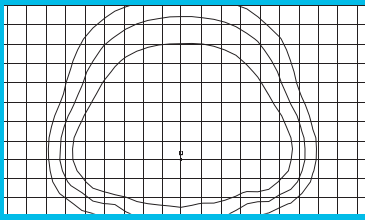
200–528VAC allows for 208, 240, 277, 347, and 480VAC installations

COUNTERBALANCED DESIGN FOR EASY INSTALLATION

- Single or Dual Bolt Mounting



FREE LIGHTING LAYOUT DESIGN



Did you know ESL Vision provides custom lighting layouts? Plan, price, bid, and present your projects with confidence. Ask your rep what we can do for you today!

