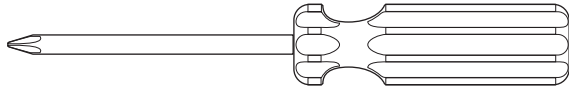


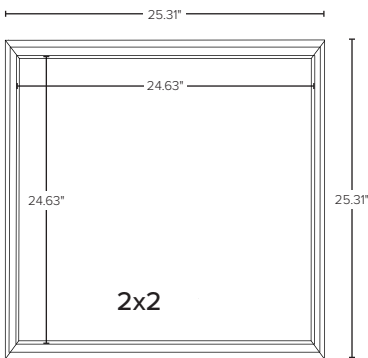
Tools Needed



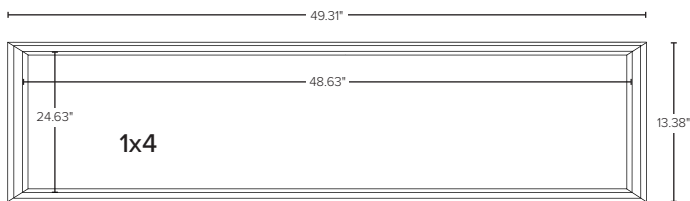
Phillips Screwdriver

Dimensions

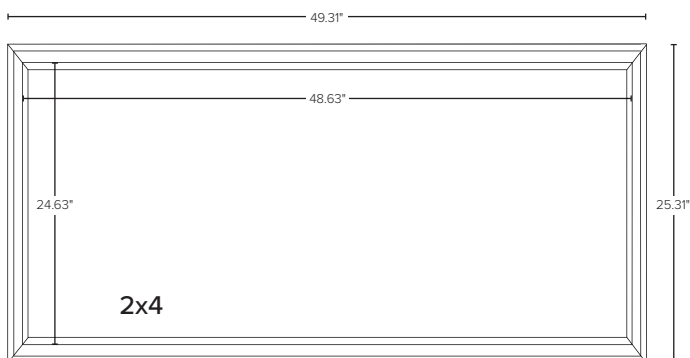
ESL-ACCS-X30-22-FLK



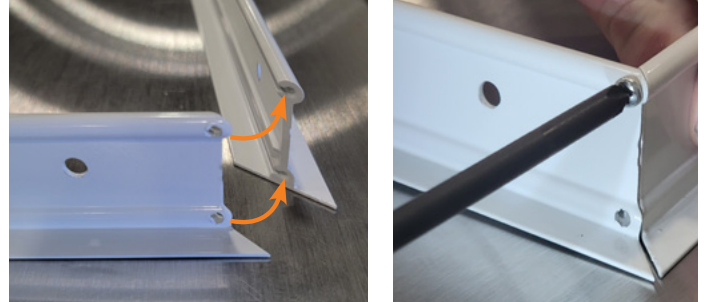
ESL-ACCS-X30-14-FLK



ESL-ACCS-X30-24-FLK



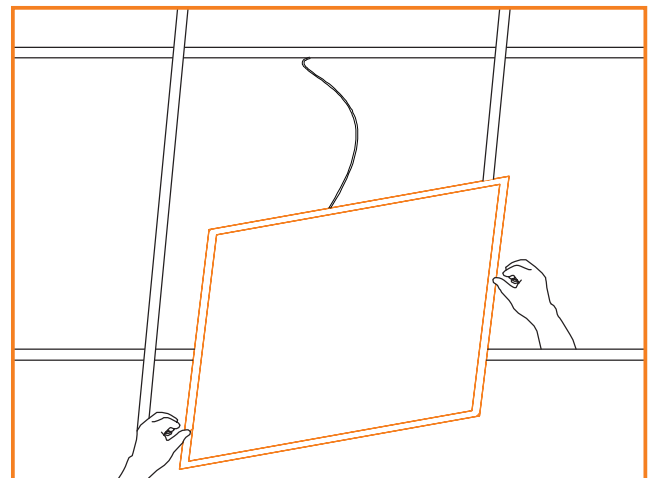
Installation



1 Using 2 screws for each corner, screw the frame together with a Phillips screwdriver.



2 Attach the frame to studs/joists in the ceiling through the holes in the sides.



3 Angle the fixture to fit up into the ceiling and then drop in place.