

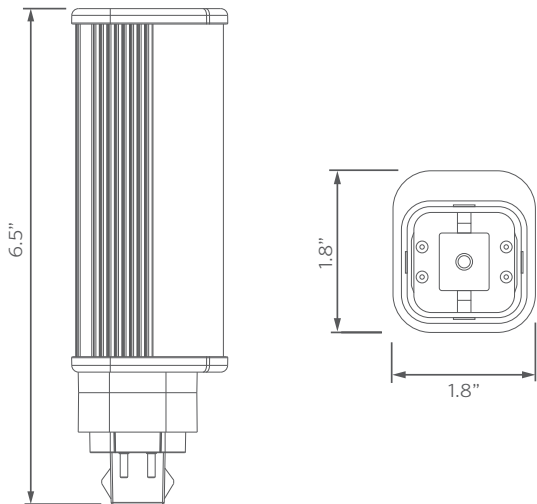
Key Features & Benefits:

- Plug & Play and Line Voltage Compatible
- Rotatable/Adjustable Base
- Instant On
- 100+ Lumens per Watt
- G24 (2) Pin and (4) Pin Available



Technical Specifications:

Power: 11 Watts
 Lumen Output: Up to 1,195
 Efficacy (lm/W): Up to 110 Lumens per Watt
 Correlated Color Temperature (CCT): 3000K, 4000K, & 5000K
 CRI: >85
 Input Voltage: 120-277 VAC, Ballast Compatible
 Life Span: 35,000 Hours
 Beam Angle: 120°
 Dimensions (LxWxH): 6.5" x 1.8" x 1.8"



Project: _____

Date: _____

Catalog #: _____

Notes: _____



**ADJUSTABLE
BASE**



PLUG & PLAY



**35,000 HRS
LONG LIFE**

ITEM#	WATTS	LUMEN OUTPUT	EFFICACY (lm/W)	KELVIN	CRI
ESL-PL-11W-30-G24D	10.5W	1070	104	3000K	>85
ESL-PL-11W-40-G24D	11W	1170	109	4000K	>85
ESL-PL-11W-50-G24D	11W	1195	110	5000K	>85
ESL-PL-11W-30-G24Q	10.5W	1070	104	3000K	>85
ESL-PL-11W-40-G24Q	11W	1170	109	4000K	>85
ESL-PL-11W-50-G24Q	11W	1195	110	5000K	>85

Ordering Guide:

Example Part Number: **ESL-PL-11W-30-G24D**

ESL	-	PL	-	11W	-		-	
ESL		TYPE		WATTS		COLOR		BASE
		PL		11W (11 Watts)		30 (3000 Kelvin) 40 (4000 Kelvin) 50 (5000 Kelvin)		G24D G24Q