

Key Features & Benefits:

- Plug & Play and Line Voltage Compatible
- Rotatable/Adjustable Base
- Instant On
- 100 Lumens per Watt
- G24 (2) Pin and (4) Pin Available



Project: _____

Date: _____

Catalog #: _____

Notes: _____



Technical Specifications:

- Power: 7 Watts
- Lumen Output: Up to 700
- Efficacy (lm/W): Up to 100 Lumens per Watt
- Correlated Color Temperature (CCT): 3000K, 4000K, & 5000K
- CRI: >85
- Input Voltage: 120-277 VAC, Ballast Compatible
- Life Span: 35,000 Hours
- Beam Angle: 120°
- Dimensions (LxWxH): 4.7" x 1.8" x 1.8"



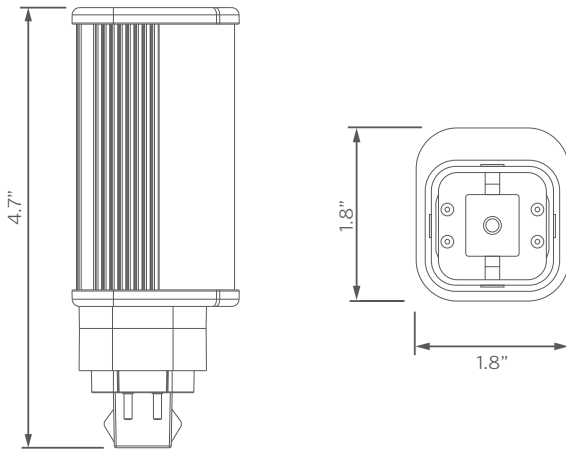
**ADJUSTABLE
BASE**



PLUG & PLAY



**35,000 HRS
LONG LIFE**



ITEM#	WATTS	LUMEN OUTPUT	EFFICACY (lm/W)	KELVIN	CRI
ESL-PL-7W-30-G24D	7W	700	100	3000K	>85
ESL-PL-7W-40-G24D	7W	700	100	4000K	>85
ESL-PL-7W-50-G24D	7W	700	100	5000K	>85
ESL-PL-7W-30-G24Q	7W	700	100	3000K	>85
ESL-PL-7W-40-G24Q	7W	700	100	4000K	>85
ESL-PL-7W-50-G24Q	7W	700	100	5000K	>85

Ordering Guide:

Example Part Number: **ESL-PL-7W-30-G24D**

ESL	-	PL	-	7W	-	30	-	PL
ESL		TYPE		WATTS		COLOR		BASE
		PL		7W (7 Watts)		30 (3000 Kelvin) 40 (4000 Kelvin) 50 (5000 Kelvin)		G24D G24Q