

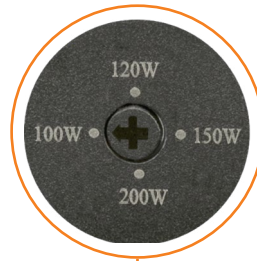
Key Features & Benefits:

- Wattage Selectable
- Designed for Easy Sensor Installation
- Optical Grade Polycarbonate Lens
- Durable Die-Cast housing
- White, Bronze or Black Finish
- 54" Driver Cord with Twist Lock and Straight Blade Options
- Multiple Mounting Options
- 0–10V Dimming
- 6kV Surge Protection
- Wet Listed
- DLC Premium

Project: _____ Date: _____
 Catalog #: _____
 Notes: _____

Product Specifications:

Field Selectable Wattage:
 100W—120W—150W—200W
 Kelvin: 4000K or 5000K
 Lumen Output: Up to 29,000 Lumens
 Efficacy: Up to 145 lm/W
 Input Voltage: 200–528 VAC
 CRI: >80
 Beam Angle: 120° or 60°
 Operating Temperature:
 -4°F to 140°F Ambient Listing
 L70 Lifetime 140,000 hrs Calculated Per TM21
 Warranty: 7 Years
 Dimensions (ØxH): 14.11" Ø x 7.4"



Field Selectable Wattage



Multiple Mount Options



Shorting Cap for Easy Field Installation of Occupancy Sensors and/or Konex Wireless Networking

Available in White, Bronze or Black Finishes



Ordering Guide:

ESL	TYPE	SELECTABLE WATTAGE	GENERATION	KELVIN	VOLTAGE	FINISH	LENS	OPTIONS
ESL	RHB <small>(RHB) Round High Bay</small>	100200W <small>(100200W) 100W—120W—150W—200W</small>	2 <small>(2) 2nd Generation</small>	(xx) <small>(40) 4000 Kelvin (50) 5000 Kelvin</small>	(vv) <small>(BLANK) 120–277 VAC (WH) 200–528 VAC</small>	(ff) <small>(BK) Black (WH) White (BZ) Bronze</small>	(bb) <small>(120D) 120° Default (60D) 60°</small>	

FACTORY INSTALLED OPTIONS

CS3W6P	Cord set, 3 conductor, 18 gauge, white, 6 foot length, straight blade plug
CS3B6P	Cord set, 3 conductor, 18 gauge, black, 6 foot length, straight blade plug
CS3B6TL5	Cord set, 3 conductor, 18 gauge, black, 6 foot length, twist lock, NEMA I5–15 — 120VAC
CS3B6TL6	Cord set, 3 conductor, 18 gauge, black, 6 foot length, twist lock, NEMA I6–15 — 240VAC
CS3B6TL7	Cord set, 3 conductor, 18 gauge, black, 6 foot length, twist lock, NEMA I7–15 — 277VAC
CS5W6W	Cord set, 5 conductor, 16 gauge, white, whip end
CS5B6W	Cord set, 5 conductor, 16 gauge, black, whip end
EM30*	Emergency backup battery unit, auto test function, 40 watts output, 90 minutes min, 100–347VAC input, 170VDC output, factory install, title 20

FIELD INSTALLED ACCESSORIES

Controls:	
ESL-KNX-2-FS7-RPP*	Konex occupancy sensor with integrated RPP Controller. Field installed utilizing twist lock design for Konex high mount receptacles. 120–277VAC with power statistics.
ESL-KNX-2-RPP-003*	Konex power pack relay controller. Use with Konex sensors or wall switches for wireless dimming control. Field installed utilizing twist lock design for Konex high mount receptacles. 120–277VAC with power statistics.
ESL-6OCC	High bay occupancy sensor for twist connect receptacles, 12–24VDC, daylight harvesting, 40 ft mounting, PIR sensor
ESL-9OCC-LV-HDD	High bay occupancy sensor for twist connect receptacles, 12V input, daylight harvesting, 40ft mounting, microwave sensor, step dimming
ESL-REM-100	Hand-held remote for 9OCC, 6OCC
ESL-EMG-REM1	Hand-held remote to program EM30
Mounting:	
ESL-ACCS-CMA2	Conduit mount adapter for Roswell Series. 3/4" NPT. Side hole allows for wiring in conduit.
ESL-RHB1-LOOP	Stainless steel eye bolt mount
ESL-RHB1-6SCBL	6' Safety cable
ESL-RHB1-ff-YM	Yoke mount for Roswell Series—white, bronze, or black finish available
Wire Guard:	
ESL-RHB1-WG-WH	Wire guard cover for Roswell Series. White finish. Field installed.
ESL-RHB1-WG-BKBZ	Wire guard cover for Roswell Series. Black finish. Field installed.
Reflectors:	
ESL-RHB1-ARF-90	Aluminum reflector for Roswell Series. 90 degree beam angle. Field installed

*EMG is not compatible with KNX accessories

Accessories



Konex Occupancy/RPP
ESL-KNX-2-FS7-RPP



Konex RPP
ESL-KNX-2-RPP-003



Microwave
Occupancy Sensor
ESL-9OCC-LV-HDD



PIR
Occupancy Sensor
ESL-6OCC



Yoke Mount
ESL-RHB1-ff-YM



Loop Mount
ESL-RHB1-LOOP



Conduit Mount
ESL-ACCS-CMA2



Programming Remote
ESL-REM-100



Emergency Backup
ESL-EMG-HB1-CWR-30W



Airliner Cable
ESL-RHB1-6SCBL



Wire Guard
ESL-RHB1-WG-ff



Reflector
ESL-RHB1-ARF-90

Catalog Data:

ITEM#	SELECTABLE WATTAGE	KELVIN	MAX LUMEN OUTPUT	EFFICACY (lm/W)	DLC QPL CODE (BY LENS)
ESL-RHB-100200W-240-ff-120D ESL-RHB-100200W-240-ff-60D	100 Watts	4000K	14,500	145	(120D) — PKW6GXGC (60D) — P1B528YG
	120 Watts		17,400	145	
	150 Watts		21,750	145	
ESL-RHB-100200W-250-ff-120D ESL-RHB-100200W-250-ff-60D	200 Watts	5000K	28,578	146	(120D) — PCRWUW6H (60D) — P66NREA2
	100 Watts		14,500	145	
	120 Watts		17,400	145	
ESL-RHB-100200W-250-ff-60D	150 Watts	5000K	21,750	145	(120D) — PCRWUW6H (60D) — P66NREA2
	200 Watts		29,585	149	
	200 Watts		29,585	149	
HIGH VOLTAGE					
ESL-RHB-100200W-240-HV-ff-120D ESL-RHB-100200W-240-HV-ff-60D	100 Watts	4000K	14,500	145	—
	120 Watts		17,400	145	
	150 Watts		21,750	145	
ESL-RHB-100200W-240-HV-ff-60D	200 Watts	5000K	28,578	146	—
	100 Watts		14,500	145	
	120 Watts		17,400	145	
ESL-RHB-100200W-250-HV-ff-120D ESL-RHB-100200W-250-HV-ff-60D	150 Watts	5000K	21,750	145	—
	200 Watts		29,585	149	
	200 Watts		29,585	149	

Lumen Ambient Temperature (LAT) Multipliers:

AMBIENT	LUMEN MULTIPLIER
0 °C 32 °F	1.02
10 °C 50 °F	1.01
20 °C 68 °F	1.00
25 °C 77 °F	1.00
30 °C 86 °F	1.00
40 °C 104 °F	0.99
50 °C 122 °F	0.96

Comparison Technology:

SYSTEM WATTS	DESCRIPTION
100	4-lamp T5HO, 6-lamp T8
120	6-lamp T5HO, 8-lamp T8, 400W HID
150	6-lamp T5HO, 8-lamp T8, 400W HID
200	10-lamp T5HO, 575W HID

Unified Glare Rating (UGR):

BEAM ANGLE	UGR
60°	27
120°	32.7
90° (Aluminum Reflector)	22.7

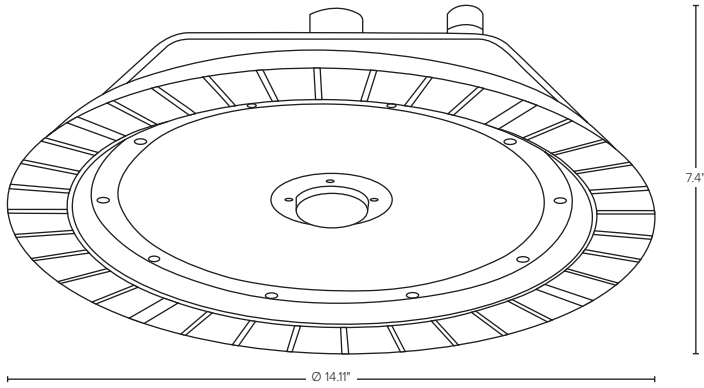
LED Lumen Maintenance:

SYSTEM WATTS	HOURS			
	0	25,000	50,000	100,000
100	100%	95%	90%	81%
120	100%	95%	90%	80%
150	100%	95%	90%	81%
200	100%	96%	91%	82%

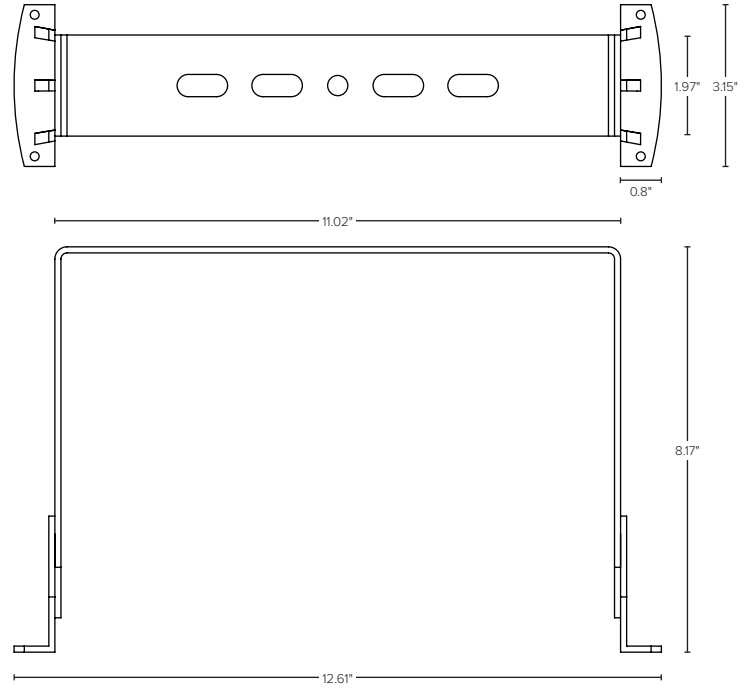
Electrical Load — Standard Voltage:

SYSTEM WATTS	INPUT CURRENT				INPUT VOLTAGE	INPUT FREQUENCY	INPUT CURRENT	POWER FACTOR	THD	OPERATING TEMPERATURE	SURGE PROTECTION	DIMMING
	120 VAC	208 VAC	240 VAC	277 VAC								
100	0.83	0.48	0.42	0.36	120–277 VAC	50/60 Hz	0.6A@120VAC	>0.99 @120 VAC >0.96 @277 VAC	<10%	-4°F to 122°F (-20°C to 50°C)	6kV/4kV per ANSI C82.77-5- 2015	0–10V
120	1.00	0.58	0.50	0.43	120–277VAC	50/60 Hz	1A@120VAC					
150	1.25	0.72	0.63	0.54	120–277VAC	50/60 Hz	0.71A@120VAC					
200	1.67	0.96	0.83	0.72	120–277VAC	50/60 Hz	1A@120VAC					

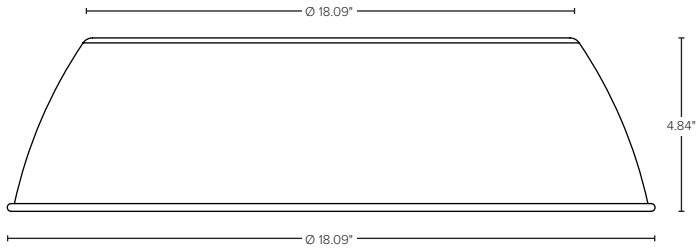
Fixture Dimensions:



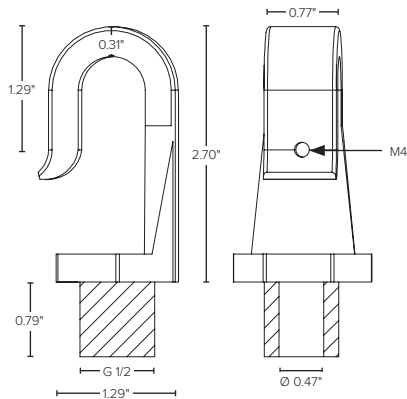
ESL-RHB1-xx-YM



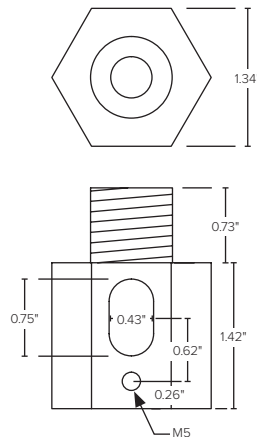
ESL-RHB1-ARF-90



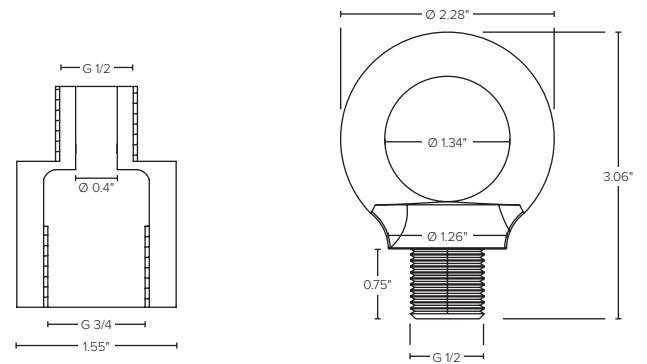
ESL-RHB1-HM



ESL-ACCS-CMA2

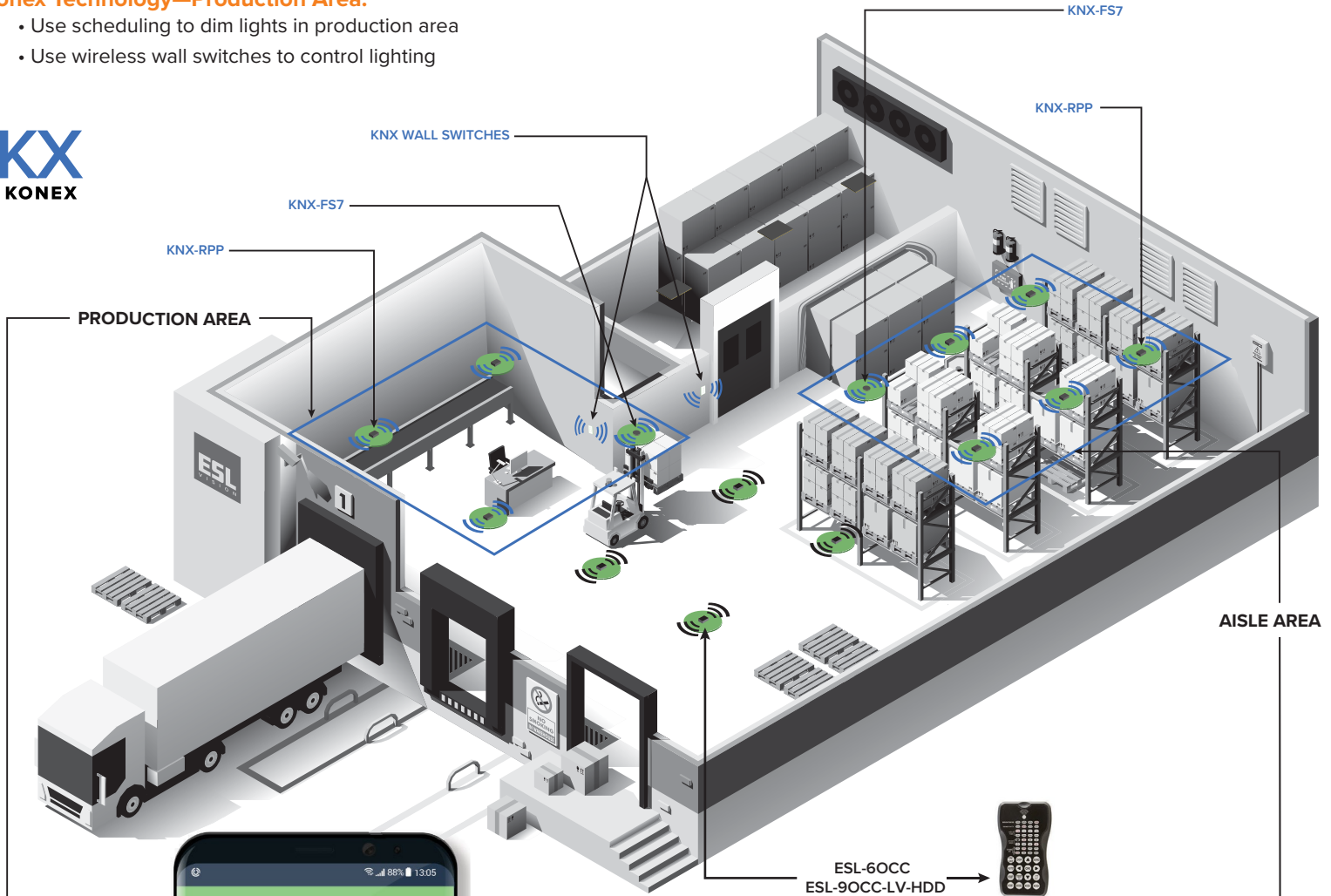


ESL-RHB1-LOOP



Konex Technology—Production Area:

- Use scheduling to dim lights in production area
- Use wireless wall switches to control lighting



Keep it Simple Without Networking:

- The 9OCC (microwave) and 6OCC (PIR) are occupancy sensors to operate only the fixtures in which they are installed. Great for basic On/Off or Dim to Off control
- Program these sensors with the REM-100 remote (sold separately)

Konex Technology—Aisle Area:

- Group fixtures to all work off one occupancy sensor
- Easily create multiple groups to control specific locations or the entire area