

### Key Features & Benefits:

- Field or Factory Installation—UL 924 and CSA C22.2 No. 141 Emergency Lighting Compliant
- Meets CEC Title 20 Requirements.
- Monthly and Yearly Auto Test Function for Reduced Maintenance.
- Meets or Exceeds All NEC Emergency Lighting Standards.
- Compatible With AC Input Lamps And DC Output Drivers (see wiring diagrams for more info)
- Constant Power Output Provides 90 Minutes of Consistent Egress Lighting with No Degradation
- Large wiring cavity simplifies the wiring process for contractors, saving time and effort during setup.

Project: \_\_\_\_\_

Date: \_\_\_\_\_

Catalog #: \_\_\_\_\_

Notes: \_\_\_\_\_

### Product Specifications:

#### Input

Rated Current: 200 mA (Max)  
 AC Input Power Rating: 12W  
 Rated Voltage: 100–347 VAC 50/60Hz

#### Output

Emergency Output Power: 15W (Max)  
 Output Voltage: 170 VDC

#### Emergency

Emergency Operation: 90 Minutes  
 Charging Time: 24 Hours  
 Charging Cycles: 1,000

#### Environment

Operating Temperature: 32° to 122°F (0° to 50°C)  
 Dimensions (LxWxH): 14.17" x 3.15" x 1.57"  
 Weight (lbs): 2.54



### Ordering Guide:

ESL	-	FAMILY	-	TYPE	-	FRAME	-	OUTPUT POWER
ESL	-	EMG (EMG) Emergency	-	SL6 (SL6) Family	-	JB (JB) Junction Box	-	15W (15W) 15 Watts

### Catalog Data:

ITEM#	DESCRIPTION
ESL-EMG-SL6-JB-15W	Emergency backup battery unit, auto test function, 15-watt output, 90-minutes minimum, 100–347 VAC input, 170 VDC output, enclosed box, UL listed for factory or field install, Lithium battery.
ESL-EMG-SL6-JB-30W	Emergency backup battery unit, auto test function, 30-watt output, 90-minutes minimum, 100–347 VAC input, 170 VDC output, enclosed box, UL listed for factory or field install, Lithium battery.

### Emergency Lumen Output:

FIXTURE EFFICACY	OUTPUT POWER (15W)
100 lm/W	1,500 Lumens
120 lm/W	1,800 Lumens
140 lm/W	2,100 Lumens

### Operation (Indicator Status)

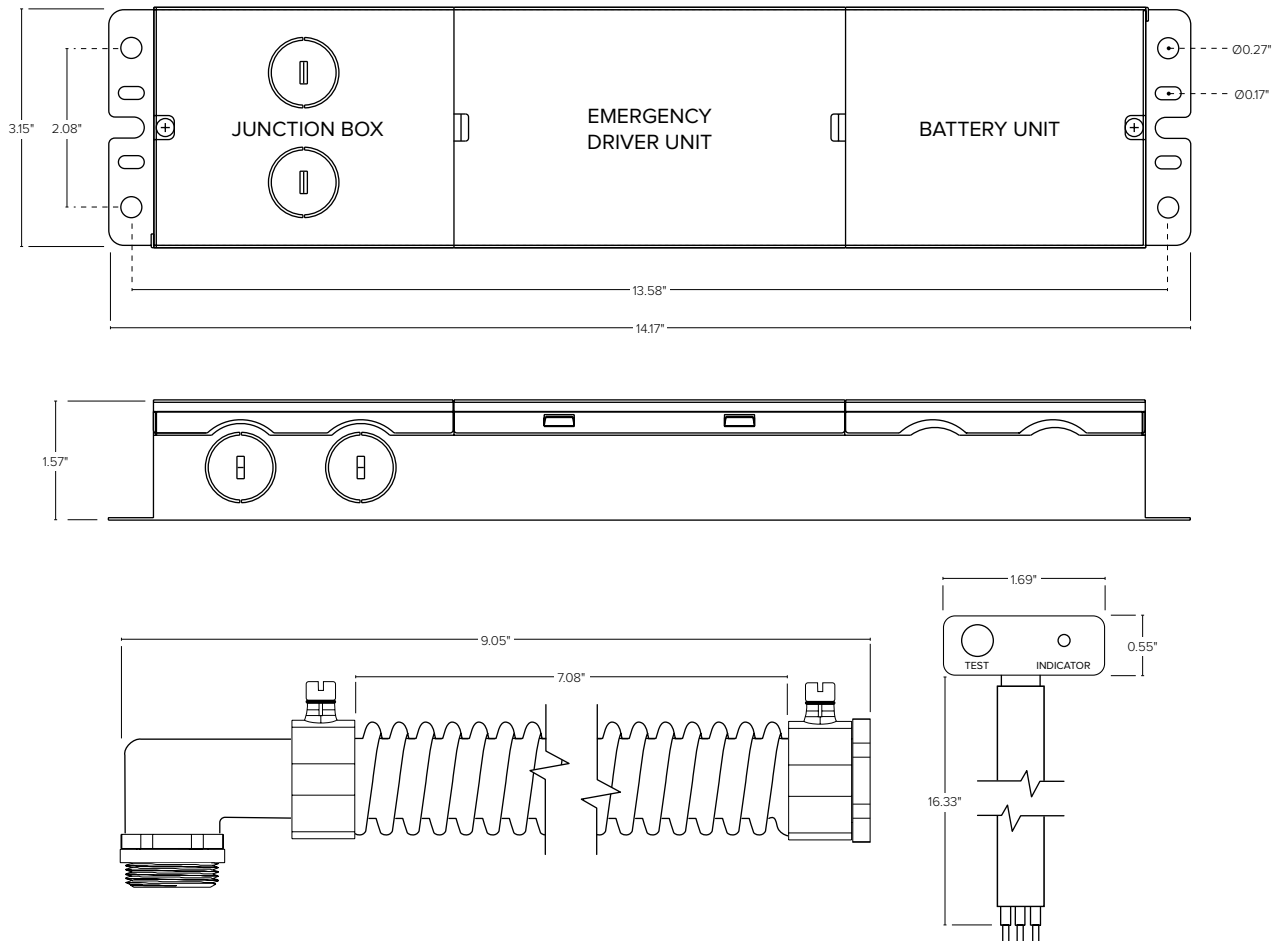
MODE	TEST BUTTON OPERATION	INDICATOR STATUS	SOLUTION
AC Mode (1)	NO Press	ON (no flashing)	Emergency LED driver is charging.
AC Mode (2)	Press Once	2s ON and 2s OFF (slow flashing)	Emergency LED driver is conducting a 30s short-term emergency test. After 30 seconds, it will automatically return to normal charging mode.
AC Mode (3)	Press Twice (2s) in Sequence	2s ON and 2s OFF (slow flashing)	Emergency LED driver is conducting a long-term emergency test until battery is fully discharged.
Emergency Mode	NO Press	2s ON and 2s OFF (slow flashing)	Emergency LED driver is conducting a long-term emergency test until battery is drained of power.
Abnormal	When flashes ON (50ms) and OFF (50ms) fast, the emergency backup is abnormal. Contact the manufacturer.		

**WARNING**  
Risk of Electrical Shock

Note: Please press test button once to make certain the battery is turned off before installation, maintenance, storage or shipping.

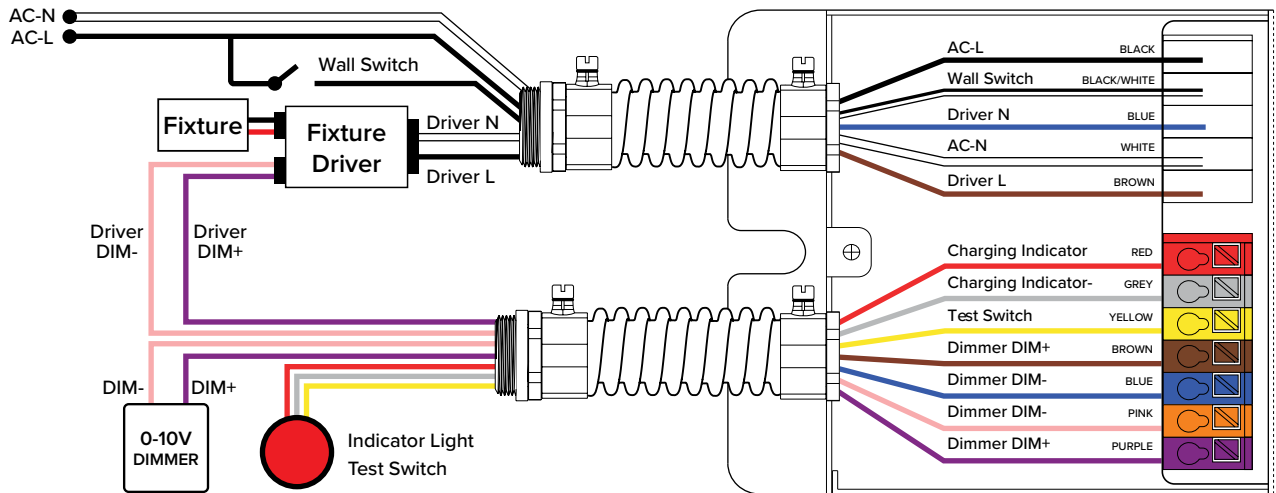
### Dimensions:

**Emergency Driver**  
ESL-EMG-SL6-JB-15W  
14.17" x 3.15" x 1.57"

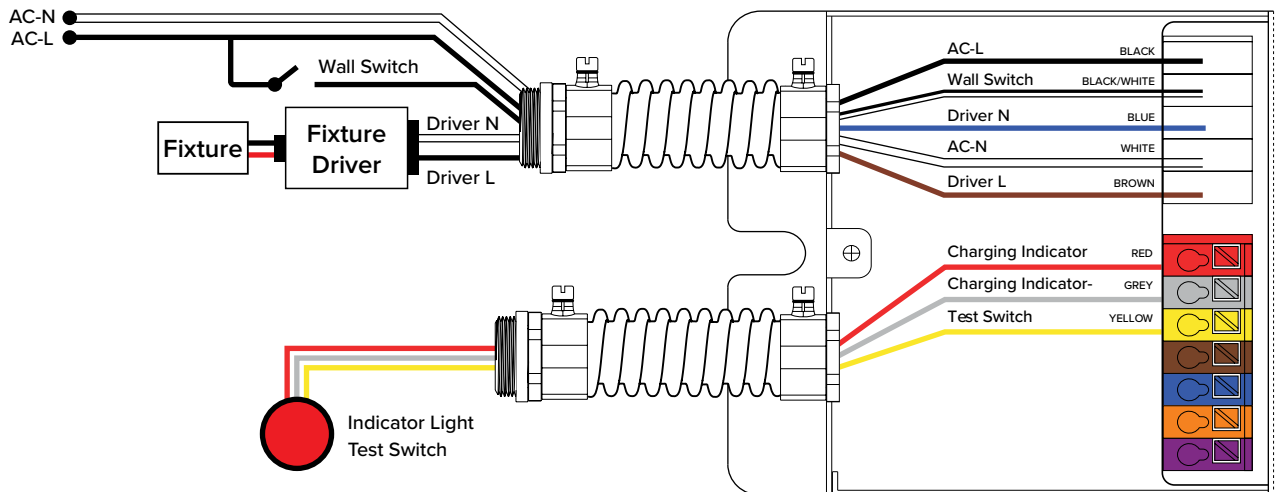


**Wiring Diagrams:**

**Standard Installation to 0–10V Dimmable Fixture**

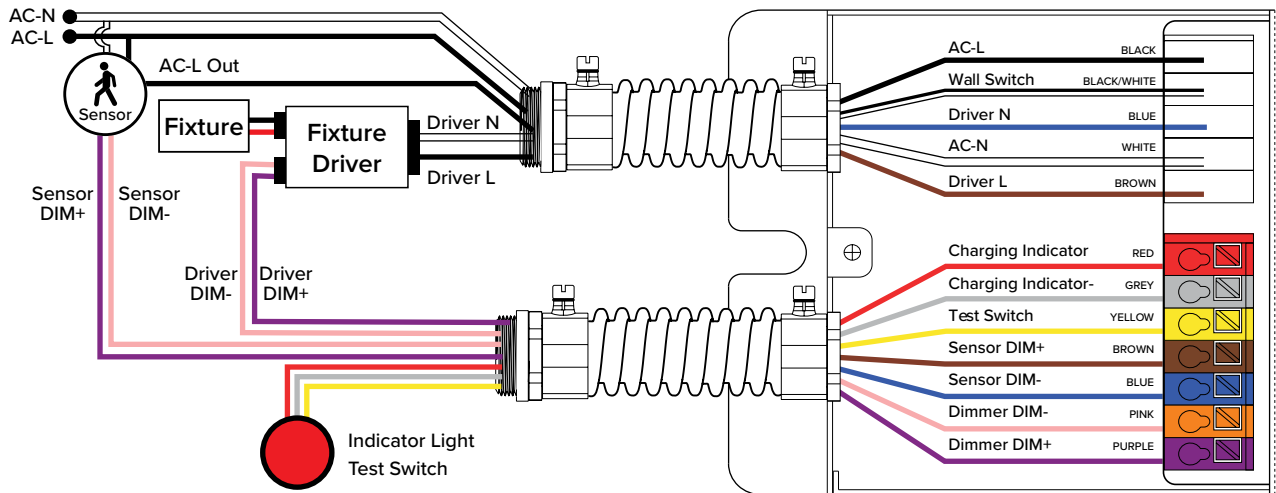


**Non-Dimming Fixture Installation**



**Wiring Diagrams:**

**AC Sensor Installation**



**DC Sensor Installation**

