

**Key Features & Benefits:**

- Energy Star listed
- >90 CRI
- 85% Energy savings
- 5 Year Warranty



Project: \_\_\_\_\_

Date: \_\_\_\_\_

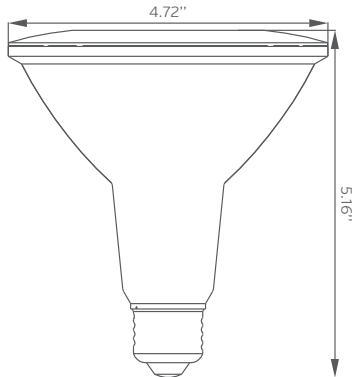
Catalog #: \_\_\_\_\_

Notes: \_\_\_\_\_



**Technical Specifications:**

- Power: 15 Watts
- Lumen Output: Up to 1000
- Efficacy (lm/W): Up to 66 Lumens per Watt
- Correlated Color Temperature (CCT): 2700K, 3000K, 4000K, 5000K
- CRI: >90
- Input Voltage: 120 VAC
- Life Span: 25,000 Hours
- Beam Angle: 40°
- Dimensions(ØxH): 4.72" x 5.16"
- Base Type: E26



ITEM#	WATTS	LUMEN OUTPUT	EFFICACY (lm/W)	KELVIN	CRI	ENERGY STAR CERTIFIED
ESL-PAR38-15W-32740	15W	1000	66	2700K	>90	✓
ESL-PAR38-15W-33040	15W	1000	66	3000K	>90	✓
ESL-PAR38-15W-34040	15W	1000	66	4000K	>90	✓
ESL-PAR38-15W-35040	15W	1000	66	5000K	>90	✓

**Ordering Guide:**

Example Part Number: **ESL-PAR38-15W-33040**

<b>ESL</b>	-	<b>PAR38</b>	-	<b>15W</b>	-	<b>3</b>	-	<b>40</b>
ESL		TYPE		WATTS		GENERATION		COLOR
		PAR38 (PAR38)		15W (15 Watts)		3 (Series 3)		27 (2700 Kelvin) 30 (3000 Kelvin) 40 (4000 Kelvin) 50 (5000 Kelvin)
								40 (40 Degrees)