

⚠ WARNING

1. This emergency driver provides more than one power supply output source. To avoid electric shock, disconnect power at source prior to installation.
2. The installation should be performed by qualified electricians or lighting technicians.
3. Do not attempt to service the battery. A sealed, no-maintenance battery is used and is not field replaceable. Replace the entire unit when necessary.
4. The emergency driver requires a constant AC power source of 100–347 VAC, 50/60Hz.
5. Battery pack should be charged for 24 hours every 6 months during storage.
6. Battery in this unit may not be fully charged. Normal operation will occur after electricity is connected to the unit for at least 24 hours.
7. Do not mount near gas or electric heaters. Do not let power supply cords touch hot surfaces.
8. Not for outdoor use.
9. Maximum Installation Height: 29.4 ft.

Installing the Emergency LED Driver

1. Turn off the AC power before installing.
2. Test switch and indicator light shall be installed where they are visible.
3. The voltage input to the dimmable wires (DIM+, DIM-) of emergency LED driver must be less than 20 VDC.
4. Determine appropriate location for the emergency driver on the fixture or using brackets to connect emergency driver on the fixture. Refer to the LED fixtures installation guide for mounting location options.

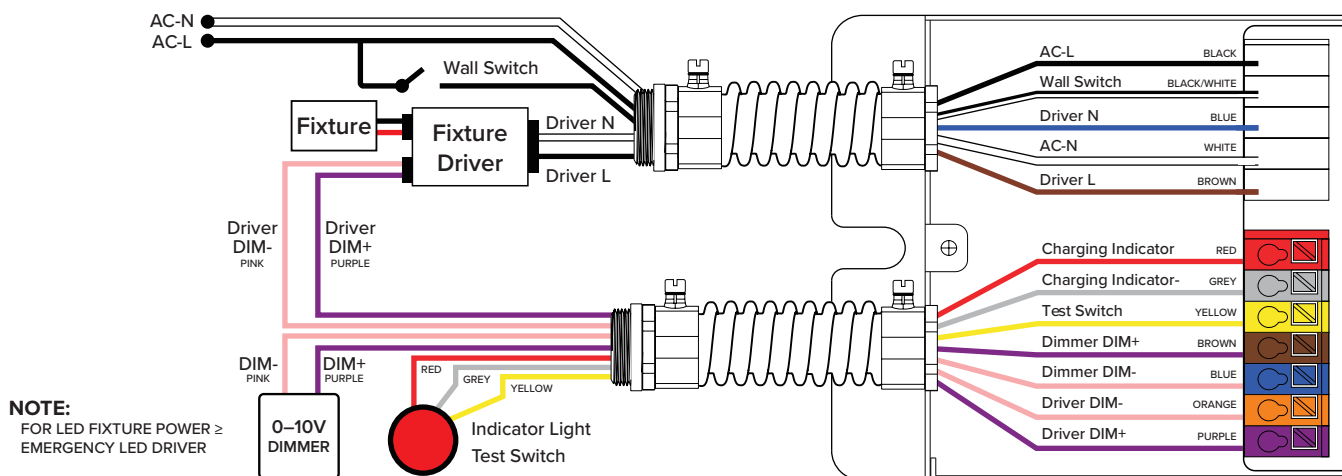
Wiring the Emergency LED Driver

1. Open the junction box cover.
2. Select the appropriate wiring diagram to connect the emergency driver to the driver's AC input.
3. Using wire nuts to cover unused wires to ensure all connections are in accordance with NEC and any local regulations.

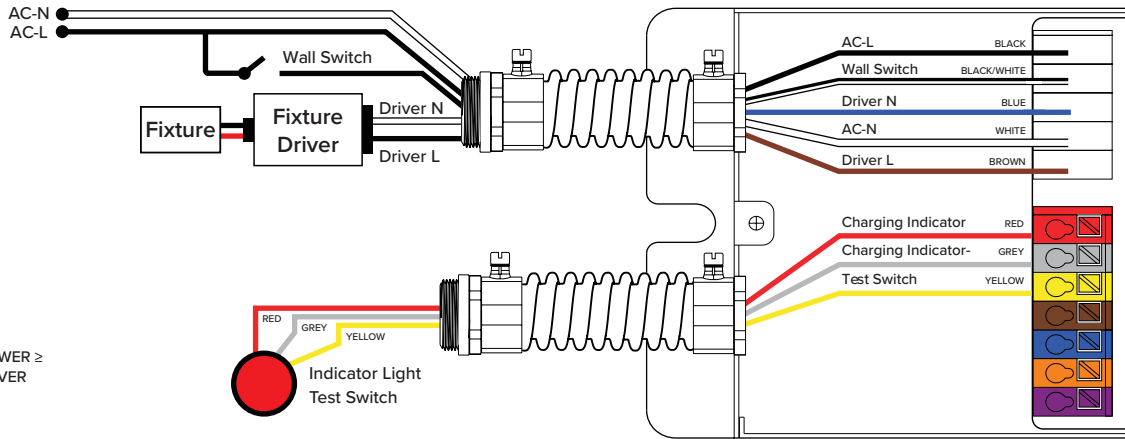
Testing the Emergency LED Driver

1. After wiring is complete, check if the indicator light is lit or not, this indicates the battery's current charge.
 2. THE BATTERY IN THIS UNIT MAY NOT BE FULLY CHARGED. A short-term discharge test may be conducted after the emergency driver has been charging for 1 hour. Charge for 24 hours before conducting a long-term discharge test.
- Note: The LED fixture must be integrated with 0-10V driver, when LED fixtures power is more than Emergency LED Drivers power.

Standard Installation to 0–10V Dimmable Fixture

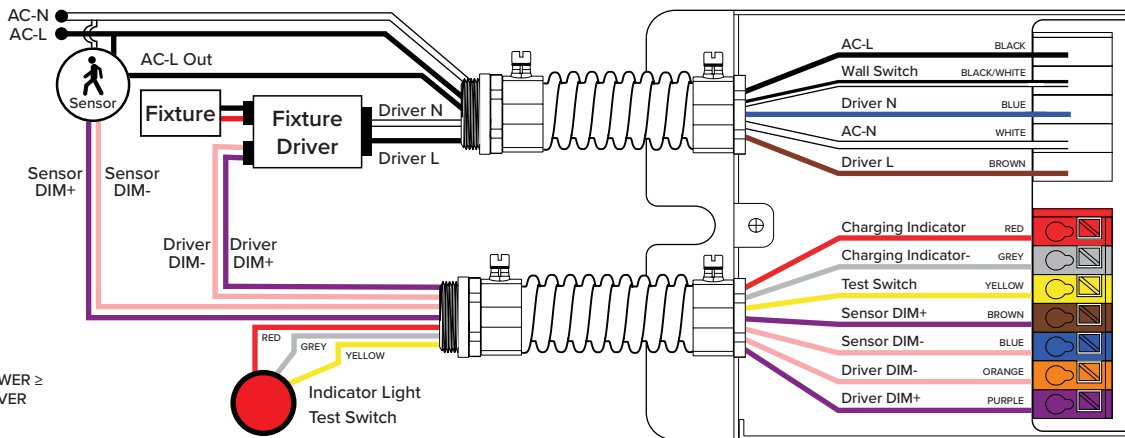


Non-Dimming Fixture Installation



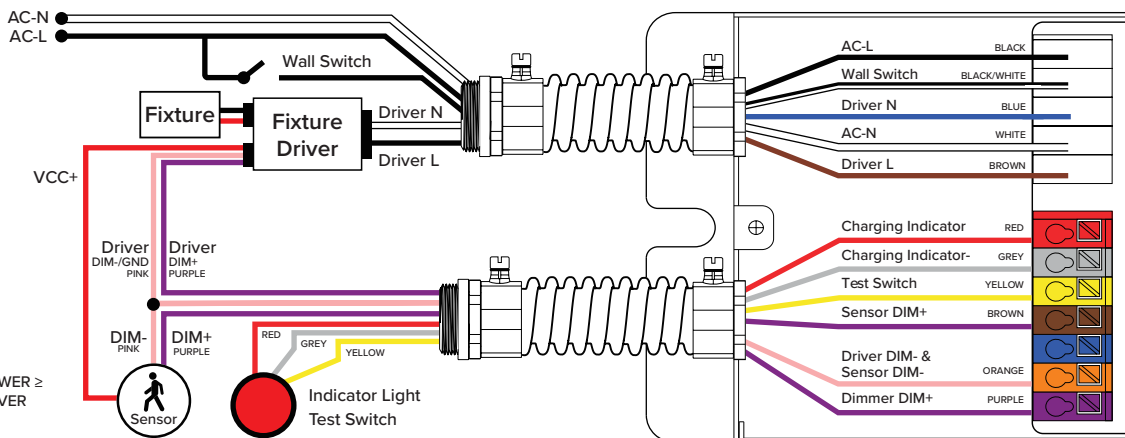
NOTE:
FOR LED FIXTURE POWER \geq
EMERGENCY LED DRIVER

AC Sensor Installation



NOTE:
FOR LED FIXTURE POWER \geq
EMERGENCY LED DRIVER

DC Sensor Installation



NOTE:
FOR LED FIXTURE POWER \geq
EMERGENCY LED DRIVER