

Product Features:

- Secure mount kit for your Linear High Bays

Project: _____

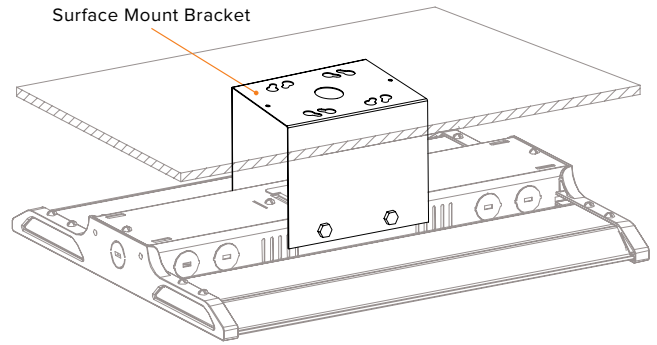
Date: _____

Catalog #: _____

Notes: _____

Ordering Guide:

ESL	-	FAMILY	-	GENERATION	-	TYPE
ESL	-	LHB	-	4	-	SM-01
		(LHB) Linear High Bay		(4) 4 th Generation		(SM-01) Surface Mount for LHB4

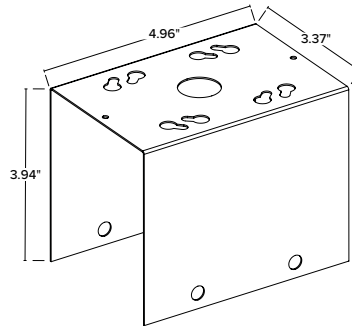


Catalog Data:

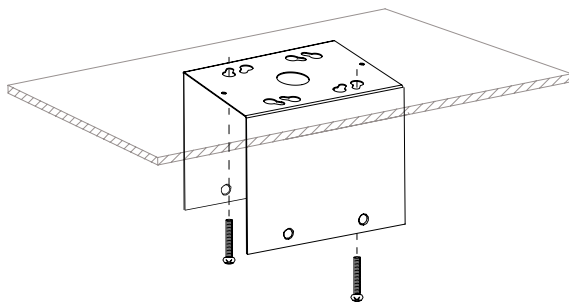
ITEM#	DESCRIPTION	DIMENSIONS
ESL-LHB4-SM-01	Surface Mount for LHB4	3.94" x 4.96" x 3.37"

Dimensions:

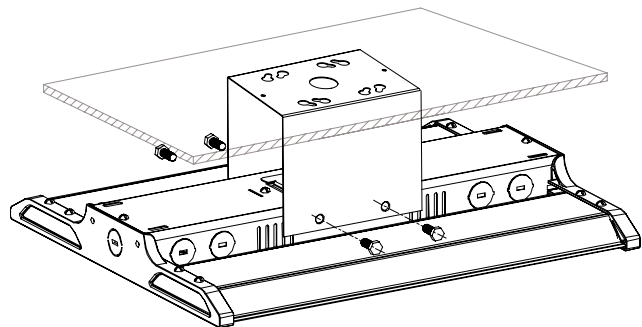
LHB Surface Mount Junction Box
ESL-LHB4-SM-1



Installation Guide:



1 Secure mounting bracket to ceiling with provided screws (x2).



2 Connect wires and secure fixture to bracket using provided bolts (x4).