

### Key Features & Benefits:

- IntelliSense™ Sensor Enabled
- Wattage and Kelvin Selectable
- 0–10V Dimming

Project: \_\_\_\_\_

Date: \_\_\_\_\_

Catalog #: \_\_\_\_\_

Notes: \_\_\_\_\_

### Product Specifications:

Selectable Wattage: 20W–25W–30W  
 Selectable Kelvin: 3500K–4000K–5000K  
 Lumens: Up to 4,070  
 Efficacy: Up to 152 lm/W  
 Input Voltage: 120–277 VAC  
 Input Frequency: 50/60 Hz  
 Operating Temperature: -4°F to 122°F (-20°C to 50°C)  
 Dimming: 0–10V  
 CRI: >80  
 Warranty: 5 Years  
 L70 Lifetime 100,000 Hours calculated per TM21  
 Dimensions (LxWxH): 23.8" x 23.8" x 1.97"  
 Weight (lbs): 5.95



### Ordering Guide:

ESL	FAMILY	TYPE	SIZE	SELECTABLE WATTAGE	SELECTABLE KELVIN	OPTIONS
ESL	ISS <small>(ISS) IntelliSense™ Series</small>	640 <small>(640) Panel Retrofit</small>	22 <small>(22) 2x2</small>	2030W <small>(2030W) 20W–25W–30W</small>	3550K <small>(3550K) 3500K–4000K–5000K</small>	

#### FACTORY INSTALLED OPTIONS

EM5	Emergency backup battery unit, auto test function, 5 watts output, 90 minutes minimum, 120–277 VAC input, 20–50 VDC output, closed lead wiring, UL listed for factory or field install
EM9	Emergency backup battery unit, auto test function, 9 watts output, 90 minutes minimum, 120–277 VAC input, 10–300 VDC output, open terminal block wiring, UL listed for factory or field install, title 20

#### FIELD INSTALLED ACCESSORIES

ESL-ACCS-14-LENS-01	Replacement lens for troffer 1x4
ESL-ACCS-22-LENS-01	Replacement lens for troffer 2x2
ESL-ACCS-24-LENS-01	Replacement lens for troffer 2x4

### Catalog Data:

ITEM#	SELECTABLE WATTAGE	SELECTABLE KELVIN	MAX LUMEN OUTPUT	MAX EFFICACY (lm/w)	DIMENSIONS (LxWxH)
ESL-ISS-640-14-2030W-3550K	20W–25W–30W	3500K–4000K–5000K	4,390	152	47.8" x 11.9" x 1.97"
ESL-ISS-640-22-2030W-3550K	20W–25W–30W	3500K–4000K–5000K	4,070	152	23.8" x 20.4" x 1.97"
ESL-ISS-640-24-2040W-3550K	20W–30W–40W	3500K–4000K–5000K	5,870	152	47.8" x 23.8" x 1.97"

### FIELD INSTALLED SENSORS

ESL-ISS-SSEN-01	SoloSense™ – plug and play 4 wire stand alone PIR + daylight harvesting sensor for 600 series
ESL-ISS-MSEN-01	MultiSense™ – plug and play 4 wire network PIR + daylight harvesting sensor 600 series



ESL-ISS-MSEN-01

#### MultiSense™ – PIR & Daylight Harvesting Sensor

- Bluetooth network lighting control
- Wireless commissioning
- Wireless zoning/grouping
- High & low trim capable
- Occupancy sensing
- LLLC capable
- Vacancy sensing
- Daylight harvesting
- Scene & zone control



ESL-ISS-SSEN-01

#### SoloSense™ – PIR & Daylight Harvesting Sensor

- Stand alone lighting control
- Occupancy sensing
- Vacancy sensing
- Daylight harvesting

### FIELD INSTALLED MULTISENSE™ ACCESSORIES

ESL-ISS-PP-01	MultiSense™ network zone controller AC 120–277 VAC 20A
ESL-ISS-WS-B3B-01	MultiSense™ network wall switch battery powered 3 buttons
ESL-ISS-WS-A3B-01	MultiSense™ network wall switch AC powered 3 buttons
ESL-ISS-WS-B8B-01	MultiSense™ network wall switch battery powered 3 buttons
ESL-ISS-EMG-LC-01	MultiSense™ network AC emergency lighting controller 120–277 VAC UL924
ESL-ISS-MSEN-ACS-01	MultiSense™ network PIR ceiling sensor 120–277 VAC input 8A
ESL-ISS-MSEN-ACS-02	MultiSense™ network ceiling sensor dual mode PIR & ultrasonic 120–277 VAC
ESL-ISS-MSEN-BCS-01	MultiSense™ network ceiling sensor PIR & daylight harvesting battery power
ESL-ISS-GTW-01	MultiSense™ network ceiling sensor real time clock & energy monitoring dongle

### Electrical Load – Standard Voltage:

SYSTEM WATTS	INPUT CURRENT				INPUT WATTAGE	INPUT FREQUENCY	POWER FACTOR	THD	OPERATING TEMPERATURE	DIMMING
	120 VAC	208 VAC	240 VAC	277 VAC						
20	0.17	0.10	0.08	0.07	120–277 VAC	50/60 Hz	>0.9	<15%	-4°F to 122°F (-20°C to 50°C)	0–10V Dimming
25	0.21	0.12	0.10	0.09	120–277 VAC	50/60 Hz	>0.9	<15%	-4°F to 122°F (-20°C to 50°C)	0–10V Dimming
30	0.25	0.14	0.13	0.11	120–277 VAC	50/60 Hz	>0.9	<15%	-4°F to 122°F (-20°C to 50°C)	0–10V Dimming
34	0.28	0.16	0.14	0.12	120–277 VAC	50/60 Hz	>0.9	<15%	-4°F to 122°F (-20°C to 50°C)	0–10V Dimming
35	0.29	0.17	0.15	0.13	120–277 VAC	50/60 Hz	>0.9	<15%	-4°F to 122°F (-20°C to 50°C)	0–10V Dimming
42	0.35	0.20	0.18	0.15	120–277 VAC	50/60 Hz	>0.9	<15%	-4°F to 122°F (-20°C to 50°C)	0–10V Dimming
50	0.42	0.24	0.21	0.18	120–277 VAC	50/60 Hz	>0.9	<15%	-4°F to 122°F (-20°C to 50°C)	0–10V Dimming

### Lumen Ambient Temperature (LAT) Multipliers:

AMBIENT	LUMEN MULTIPLIER
0 °C 32 °F	1.02
10 °C 50 °F	1.01
20 °C 68 °F	1.00
25 °C 77 °F	1.00
30 °C 86 °F	1.00
40 °C 104 °F	0.99
50 °C 122 °F	0.96

### Lumen Data: 1x4

ESL-ISS-640-14-2030W-3550K

SELECTABLE WATTAGE	SELECTABLE KELVIN	MAX LUMEN OUTPUT	ACTUAL WATTAGE	MAX EFFICACY (lm/W)
30W	3500K	4,152	31	134
	4000K	4,390	30	148
	5000K	4,308	31	140
25W	3500K	3,440	25	137
	4000K	3,598	24	151
	5000K	3,549	25	143
20W	3500K	2,815	20	140
	4000K	2,898	19	152
	5000K	2,930	20	146

### Lumen Data: 2x2

ESL-ISS-640-22-2030W-3550K

SELECTABLE WATTAGE	SELECTABLE KELVIN	MAX LUMEN OUTPUT	ACTUAL WATTAGE	MAX EFFICACY (lm/W)
30W	3500K	4,073	31	133
	4000K	4,333	29	148
	5000K	4,236	30	139
25W	3500K	3,401	25	137
	4000K	3,575	24	151
	5000K	3,541	25	143
20W	3500K	2,770	20	140
	4000K	2,802	18	152
	5000K	2,840	19	146

### Lumen Data: 2x4

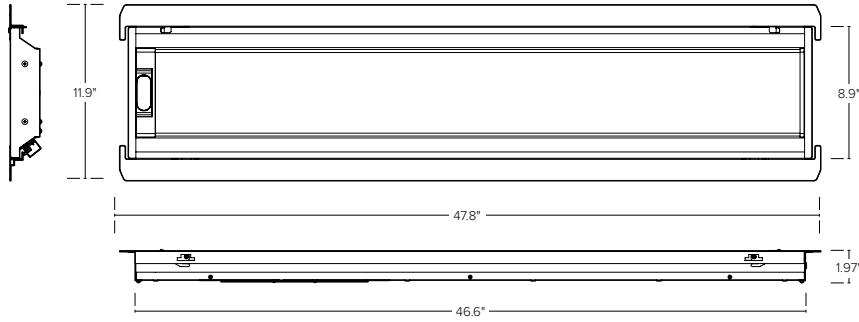
ESL-ISS-640-24-2040W-3550K

SELECTABLE WATTAGE	SELECTABLE KELVIN	MAX LUMEN OUTPUT	ACTUAL WATTAGE	MAX EFFICACY (lm/W)
40W	3500K	5,539	41	135
	4000K	5,870	39	150
	5000K	5,622	40	139
30W	3500K	4,226	31	138
	4000K	4,431	29	152
	5000K	4,342	30	144
20W	3500K	2,811	20	141
	4000K	2,837	18	154
	5000K	2,880	20	147

**Dimensions:**

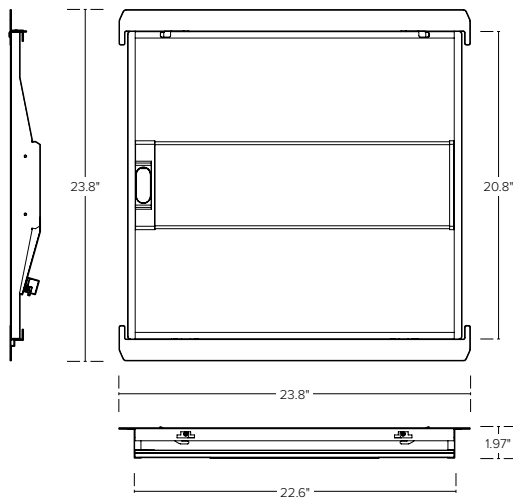
**1x4**

ESL-ISS-640-14-2030W-3550K



**2x2**

ESL-ISS-640-22-2030W-3550K



**2x4**

ESL-ISS-640-24-2040W-3550K

