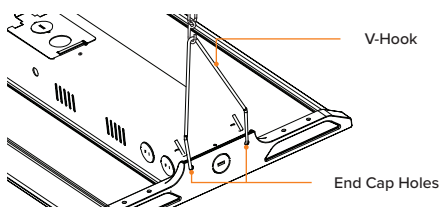


⚠️ WARNING

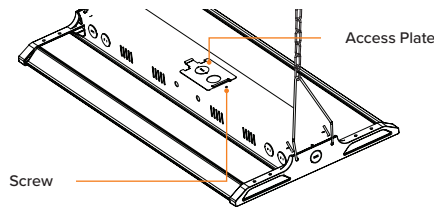
1. To avoid electric shock, disconnect power at source prior to installation.
2. The installation should be performed by qualified electricians or lighting technicians.
3. Before installation, maintenance, or removal, disable all power.
4. Do not touch the fixture while it is in service.
5. If there is any problem with the fixture, turn off power and DO NOT attempt repair unless you are a qualified technician or the customer service member.

THIS FIXTURE IS NOT TO BE SURFACE MOUNTED WITHOUT THE OPTIONAL SURFACE MOUNT BRACKET KIT. THERE IS A RISK OF OVERHEATING AND FIXTURE DAMAGE IF MOUNTING AND INSTALLATION INSTRUCTIONS ARE NOT FOLLOWED.

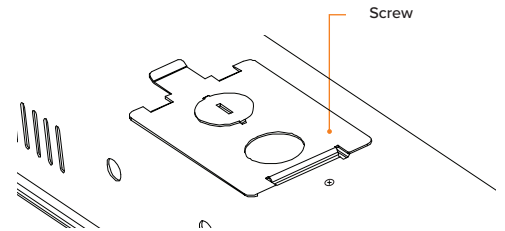
V-Hook Mount



1 Secure the two (2) provided V-Hooks through the End Cap Holes.

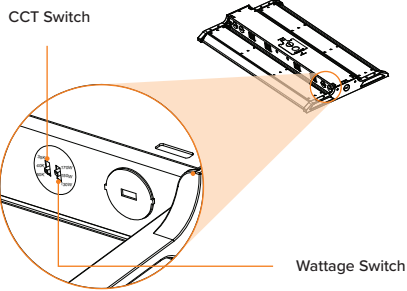


2 Remove the Screw and open the Access Plate to make the electrical connections as shown in the Wiring Diagram.



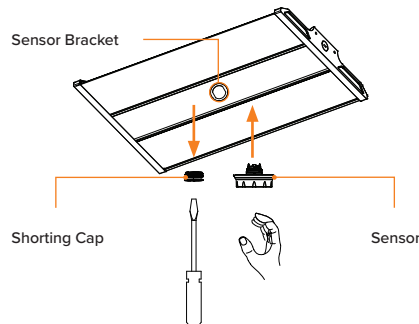
3 Push all wires back into the housing, then reinstall the Access Plate and secure it with the Screw.

Field Adjustable



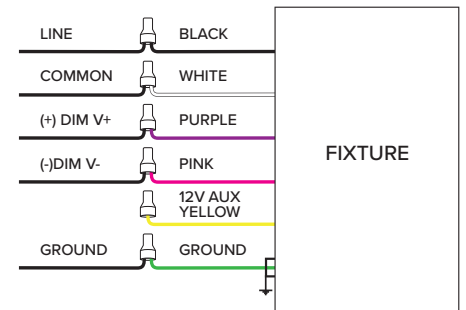
The fixture has 3 selectable CCTs and 3 selectable wattages. Adjust as needed.

Sensors



Use a screwdriver to remove the shorting cap, then screw in the optional sensor kit.

Wiring Diagram



Universal voltage driver permits operation at 120V–277 VAC, 50/60Hz.

