

Key Features & Benefits:

- Intended for Explosive Environments
- Copper Free Aluminum, Flameproof Enclosures
- IP66

Product Specifications:

Operating Temperature: -76°F to 140°F (-60°C to 60°C)

Input Voltage: Max 800VAC

Rated Current: 24A, 32A, 41A

Type of Flameproof Joint:

Type A–F: Threaded joints

Type KB1: Flanged and threaded joints

Warranty: 7 Year with 10 Year option

Certifications & Ratings:

A-F:

Class I, Division 1, Groups A, B, C and D

Class I, Division 2, Groups A, B, C and D

Class II, Division 1, Groups E, F and G

Class II, Division 2, Groups F and G

Class III

KB1:

Class I, Division 1, Groups C and D

Class I, Division 2, Groups A, B, C and D

Class II, Division 1, Groups E, F and G

Class II, Division 2, Groups F and G

Class III

CSA 30/UL1203 — Standard for Safety

Explosion-Proof and Dust-Ignition-Proof Electrical Equipment

IK10

ABS Certified

Marine Rating Powder Coated

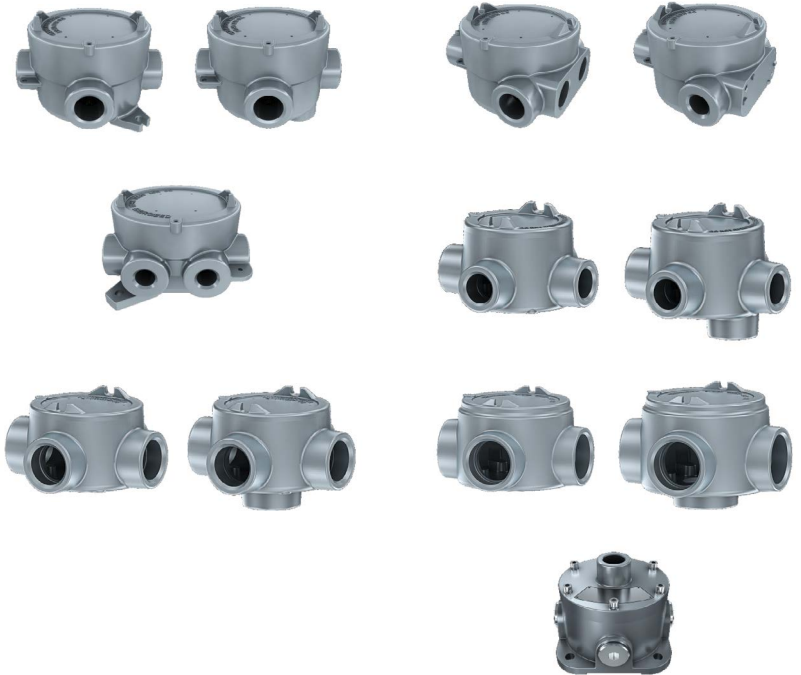
IP66

Project: _____

Date: _____

Catalog #: _____

Notes: _____



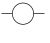
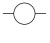








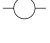


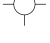



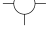






Ordering Guide:

ESL	SERIES	TYPE	PORTS	STYLE	THREAD
ESL	HZ	JBOX	(#)	(s)	(t)
	(HZ) Hazardous Series	(JBOX) Junction Box	(1) 1 Port (2) 2 Ports (3) 3 Ports (4) 4 Ports (5) 5 Ports (6) 6 Ports (8) 8 Ports	(A), (A1), (A2) (B), (B1) (C), (C1), (C2) (D), (D1), (D2) (E), (E1), (E2) (F), (F1), (F2) (1KB)	(1) 1/2 NPT (2) 3/4 NPT (3) 1 NPT (4) 1 1/4 NPT (5) 1 1/2 NPT (6) 2 NPT

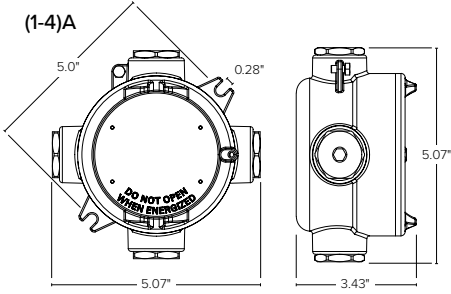


Catalog Data:

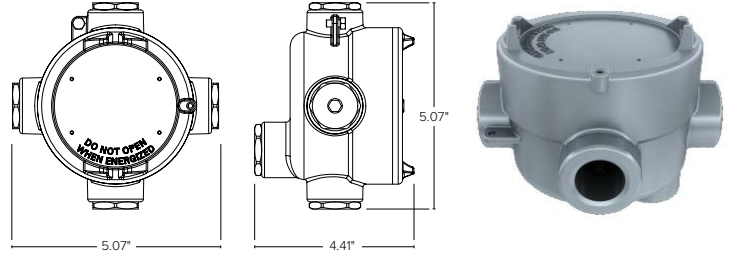
STYLE	PORTS	THREAD (t)	STYLE	PORTS	THREAD (t)
ESL-HZJBOX-1A-t	 1	(1) 1/2 NPT, (2) 3/4 NPT	ESL-HZJBOX-1E-t	 1	(1) 1/2 NPT, (2) 3/4 NPT, (3) 1 NPT, (4) 1 1/4 NPT
ESL-HZJBOX-2A1-t	 2	(1) 1/2 NPT, (2) 3/4 NPT	ESL-HZJBOX-2E1-t	 2	(1) 1/2 NPT, (2) 3/4 NPT, (3) 1 NPT, (4) 1 1/4 NPT
ESL-HZJBOX-2A2-t	 2	(1) 1/2 NPT, (2) 3/4 NPT	ESL-HZJBOX-2E2-t	 2	(1) 1/2 NPT, (2) 3/4 NPT, (3) 1 NPT, (4) 1 1/4 NPT
ESL-HZJBOX-3A-t	 3	(1) 1/2 NPT, (2) 3/4 NPT	ESL-HZJBOX-3E-t	 3	(1) 1/2 NPT, (2) 3/4 NPT, (3) 1 NPT, (4) 1 1/4 NPT
ESL-HZJBOX-4A-t	 4	(1) 1/2 NPT, (2) 3/4 NPT	ESL-HZJBOX-4E-t	 4	(1) 1/2 NPT, (2) 3/4 NPT, (3) 1 NPT, (4) 1 1/4 NPT
ESL-HZJBOX-5A-t	 5	(1) 1/2 NPT, (2) 3/4 NPT	ESL-HZJBOX-5E-t	 5	(1) 1/2 NPT, (2) 3/4 NPT, (3) 1 NPT, (4) 1 1/4 NPT
ESL-HZJBOX-3B-t	 3	(1) 1/2 NPT, (2) 3/4 NPT	ESL-HZJBOX-1F-t	 1	(1) 1/2 NPT, (2) 3/4 NPT, (3) 1 NPT, (4) 1 1/4 NPT, (5) 1 1/2 NPT, (6) 2 NPT
ESL-HZJBOX-3B1-t	 3	(1) 1/2 NPT, (2) 3/4 NPT	ESL-HZJBOX-2F1-t	 2	(1) 1/2 NPT, (2) 3/4 NPT, (3) 1 NPT, (4) 1 1/4 NPT, (5) 1 1/2 NPT, (6) 2 NPT
ESL-HZJBOX-4C1-t	 4	(1) 1/2 NPT, (2) 3/4 NPT, (3) 1 NPT	ESL-HZJBOX-2F2-t	 2	(1) 1/2 NPT, (2) 3/4 NPT, (3) 1 NPT, (4) 1 1/4 NPT, (5) 1 1/2 NPT, (6) 2 NPT
ESL-HZJBOX-4C2-t	 4	(1) 1/2 NPT, (2) 3/4 NPT, (3) 1 NPT	ESL-HZJBOX-3F-t	 3	(1) 1/2 NPT, (2) 3/4 NPT, (3) 1 NPT, (4) 1 1/4 NPT, (5) 1 1/2 NPT, (6) 2 NPT
ESL-HZJBOX-6C-t	 6	(1) 1/2 NPT, (2) 3/4 NPT, (3) 1 NPT	ESL-HZJBOX-4F-t	 4	(1) 1/2 NPT, (2) 3/4 NPT, (3) 1 NPT, (4) 1 1/4 NPT, (5) 1 1/2 NPT, (6) 2 NPT
ESL-HZJBOX-8C-t	 8	(1) 1/2 NPT, (2) 3/4 NPT, (3) 1 NPT	ESL-HZJBOX-5F-t	 5	(1) 1/2 NPT, (2) 3/4 NPT, (3) 1 NPT, (4) 1 1/4 NPT, (5) 1 1/2 NPT, (6) 2 NPT
ESL-HZJBOX-1D-t	 1	(1) 1/2 NPT, (2) 3/4 NPT	ESL-HZJBOX-1KB-t	1	(1) 1/2 NPT, (2) 3/4 NPT
ESL-HZJBOX-2D1-t	 2	(1) 1/2 NPT, (2) 3/4 NPT			
ESL-HZJBOX-2D2-t	 2	(1) 1/2 NPT, (2) 3/4 NPT			
ESL-HZJBOX-3D-t	 3	(1) 1/2 NPT, (2) 3/4 NPT			
ESL-HZJBOX-4D-t	 4	(1) 1/2 NPT, (2) 3/4 NPT			
ESL-HZJBOX-5D-t	 5	(1) 1/2 NPT, (2) 3/4 NPT			

Fixture Dimensions:

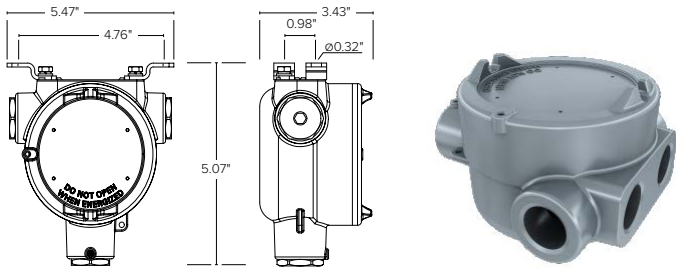
(1-4)A



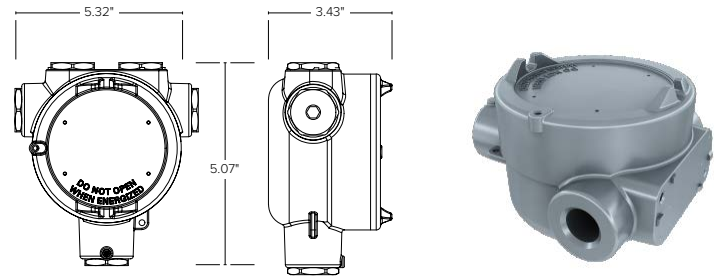
5A



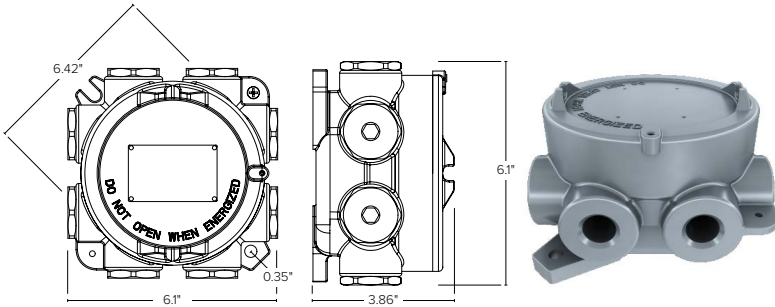
(3)B



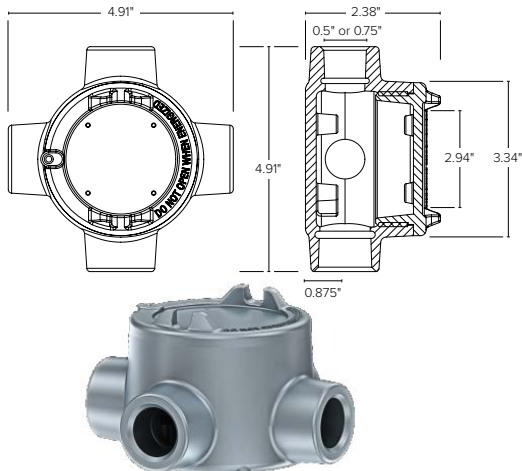
(3)B1



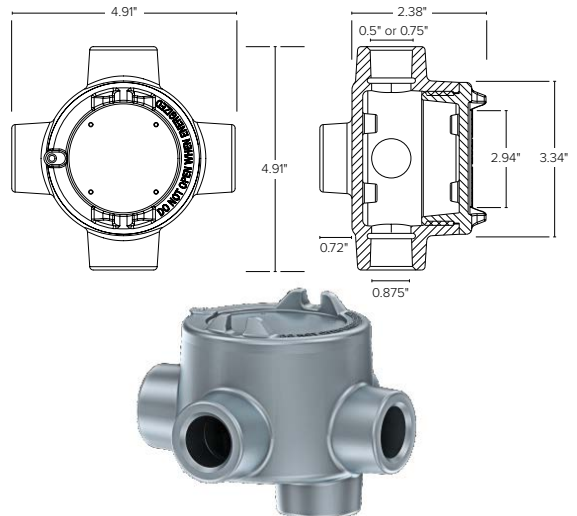
(4,6,8)C



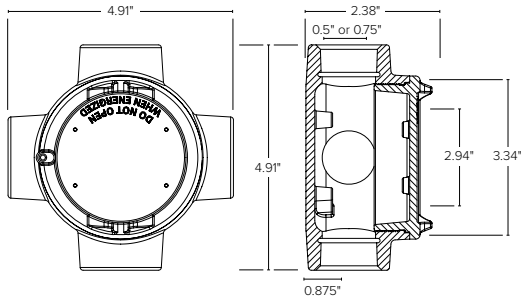
4D



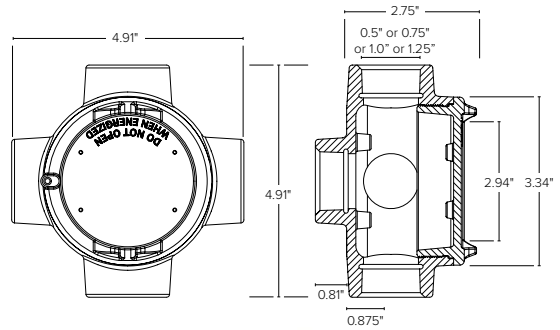
5D



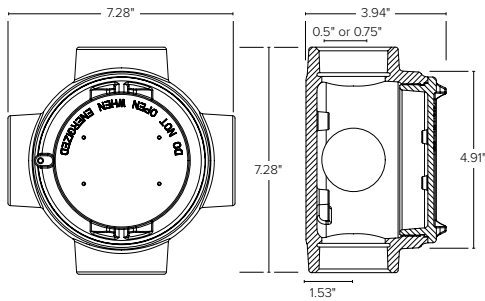
4E



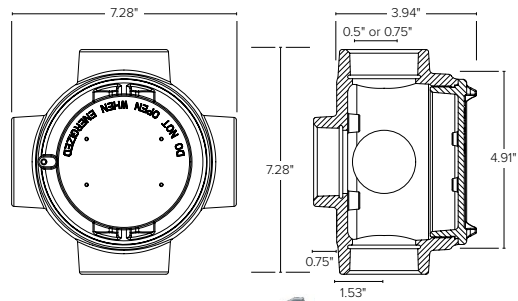
5E



4F



5F



1KB

