

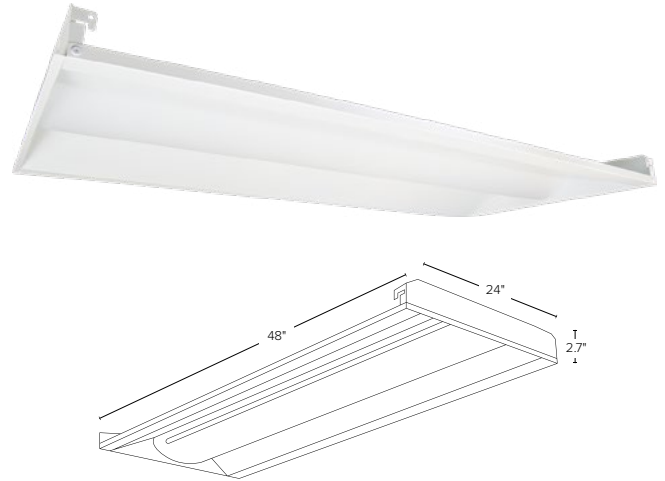
Key Features & Benefits:

- Kelvin and Wattage Selectable
- Slim Design For Multiple Applications
- Standard 0–10V Continuous Dimming
- Integrated Occupancy Sensor Capable

Product Specifications:

Selectable Wattage: 25W—35W—45W
 Selectable Kelvin: 2700K—3500K—4000K—5000K—6500K
 Lumens: Up to 5,860 lm
 Efficacy: Up to 150 lm/W
 Input Voltage: 120–277 VAC
 Input Frequency: 50/60 Hz
 Operating Temperature: -4°F to 104°F (-20°C to 40°C)
 Dimming: 0–10V
 CRI: >80
 Warranty: 7 Years
 L70 Lifetime 100,000 Hours calculated per TM21
 Weight (lbs): 10
 Dimensions (LxWxH): 48" x 24" x 2.7"

Project: _____ Date: _____
 Catalog #: _____
 Notes: _____



Ordering Guide:

ESL	-	TYPE	-	MODEL	-	SIZE	-	SELECTABLE WATTAGE	-	SELECTABLE KELVIN	-	SERIES	-	OPTIONS
ESL	-	SPE	-	930	-	24	-	2545W	-	2765K	-	DS	-	
		(SPE) Spectrum Series		(930) Troffer		(24) 2'x4'		(2545W) 25W—35W—45W		(2765K) 2700K—3500K—4000K—5000K—6500K		(DS) Dip-Switch		

FACTORY INSTALLED OPTIONS

EM5	Emergency backup, factory installed, 650 Lumens minimum, >90 minutes, integrated test button, automatic monthly testing
1DHOC	Stand-alone daylight harvesting and occupancy sensor

FIELD INSTALLED ACCESSORIES

ESL-SPE-930-14-LENS	930 Troffer 1x4 lens replacement
ESL-SPE-930-22-LENS	930 Troffer 2x2 lens replacement
ESL-SPE-930-24-LENS	930 Troffer 2x4 lens replacement
ESL-SPE-930-14-SMK	930 Troffer Surface Mount Kits for 1x4
ESL-SPE-930-22-SMK	930 Troffer Surface Mount Kits for 2x2
ESL-SPE-930-24-SMK	930 Troffer Surface Mount Kits for 2x4
ESL-SPE-930-14-FLK	930 Troffer Flange Kits for 1x4
ESL-SPE-930-22-FLK	930 Troffer Flange Kits for 2x2
ESL-SPE-930-24-FLK	930 Troffer Flange Kits for 2x4
ESL-REM-100	Hand held remote to program 1DHOC

Catalog Data:

ITEM#	SELECTABLE WATTAGE	SELECTABLE KELVIN	MAX LUMEN OUTPUT	MAX EFFICACY (lm/W)	DIMENSIONS	DLC QPL CODE
ESL-SPE-930-14-1025W-2765K	10W—20W—25W		3,494	151	48" x 12" x 2.7"	PYRWF5EW
ESL-SPE-930-14-2545W-2765K	25W—35W—45W		6,049	152	48" x 12" x 2.7"	PLCP0KIY
ESL-SPE-930-22-1025W-2765K	10W—20W—25W	2700K	3,163	154	24" x 24" x 2.7"	PH8433Z1
ESL-SPE-930-22-2545W-2765K	25W—35W—45W	3500K	5,954	150	24" x 24" x 2.7"	PO288R76
ESL-SPE-930-24-1025W-2765K	10W—20W—25W	4000K	3,230	149	48" x 24" x 2.7"	P90MH6H4
ESL-SPE-930-24-2545W-2765K	25W—35W—45W	5000K	5,860	150	48" x 24" x 2.7"	PGHY55ZV
ESL-SPE-930-24-4575W-2765K	45W—60W—75W	6500K	9,469	151	48" x 24" x 2.7"	PV30BUPQ

Lumen Ambient Temperature (LAT) Multipliers:

AMBIENT		LUMEN MULTIPLIER
0 °C	32 °F	1.02
10 °C	50 °F	1.01
20 °C	68 °F	1.00
25 °C	77 °F	1.00
30 °C	86 °F	1.00
40 °C	104 °F	0.99
50 °C	122 °F	0.96

Electrical Load:

SYSTEM WATTS	120 VAC	208 VAC	240 VAC	277 VAC	INPUT VOLTAGE	POWER FACTOR	THD	OPERATING TEMPERATURE	DIMMING
75	0.63	0.36	0.31	0.27	120–277 VAC	>0.99 @120 VAC >0.96 @277 VAC	<10%	-4°F to 104°F (-20°C to 40°C)	0–10V
60	0.50	0.29	0.25	0.22					
45	0.38	0.22	0.19	0.16					
35	0.29	0.17	0.15	0.13					
25	0.21	0.12	0.10	0.09					
20	0.17	0.10	0.08	0.07					
10	0.08	0.05	0.04	0.04					

Lumen Data: 1x4

ESL-SPE-930-14-1025W-2765K-DS

SELECTABLE WATTAGE	SELECTABLE KELVIN	MAX LUMEN OUTPUT	MAX EFFICACY (lm/W)	CRI	R9
25W	2700K	3,193	128	82.4	6
	3500K	3,411	137	86.2	23
	4000K	3,458	139	86.6	26
	5000K	3,494	140	85.4	22
	6500K	3,416	136	83.9	12
20W	2700K	2,731	135	82.4	6
	3500K	2,881	144	86.2	23
	4000K	2,936	147	86.6	26
	5000K	2,987	150	85.4	22
	6500K	2,951	146	83.9	12
10W	2700K	1,417	138	82.4	6
	3500K	1,508	144	86.2	23
	4000K	1,523	146	86.6	26
	5000K	1,544	149	85.4	22
	6500K	1,557	148	83.9	12

ESL-SPE-930-14-2545W-2765K-DS

SELECTABLE WATTAGE	SELECTABLE KELVIN	MAX LUMEN OUTPUT	MAX EFFICACY (lm/W)	CRI	R9
45W	2700K	5,835	125	82.0	5
	3500K	5,690	122	84.4	23
	4000K	5,743	123	86.0	25
	5000K	5,850	124	85.9	19
	6500K	5,957	126	84.1	14
35W	2700K	4,782	134	82.0	5
	3500K	5,112	142	84.4	23
	4000K	5,206	146	86.0	25
	5000K	5,295	149	85.9	19
	6500K	5,183	145	84.1	14
25W	2700K	3,577	138	82.0	5
	3500K	3,859	146	84.4	23
	4000K	3,908	149	86.0	25
	5000K	3,970	152	85.9	19
	6500K	3,866	149	84.1	14

Lumen Data: 2x2

ESL-SPE-930-22-1025W-2765K-DS

SELECTABLE WATTAGE	SELECTABLE KELVIN	MAX LUMEN OUTPUT	MAX EFFICACY (lm/W)	CRI	R9
25W	2700K	3,154	126	83.1	9
	3500K	2,976	119	84.6	23
	4000K	3,014	121	86.1	25
	5000K	3,089	125	85.8	19
	6500K	3,163	128	82.2	10
20W	2700K	2,657	132	83.1	9
	3500K	2,802	140	84.6	23
	4000K	2,859	143	86.1	25
	5000K	2,911	146	85.8	19
	6500K	2,860	143	82.2	10
10W	2700K	1,398	134	83.1	9
	3500K	1,478	139	84.6	23
	4000K	1,493	142	86.1	25
	5000K	1,516	145	85.8	19
	6500K	1,517	145	82.2	10

ESL-SPE-930-22-2545W-2765K-DS

SELECTABLE WATTAGE	SELECTABLE KELVIN	MAX LUMEN OUTPUT	MAX EFFICACY (lm/W)	CRI	R9
45W	2700K	5,702	126	82.2	5
	3500K	5,379	120	84.5	22
	4000K	5,443	121	83.0	25
	5000K	5,572	123	82.7	20
	6500K	5,793	127	84.4	15
35W	2700K	4,657	133	82.2	5
	3500K	5,026	142	84.5	22
	4000K	5,135	145	83.0	25
	5000K	5,272	148	82.7	20
	6500K	5,239	144	84.4	15
25W	2700K	3,427	138	82.2	5
	3500K	3,713	145	84.5	22
	4000K	3,800	147	83.0	25
	5000K	3,906	150	82.7	20
	6500K	3,889	149	84.4	15

Lumen Data: 2x4

ESL-SPE-940-24-1025W-2765K-DS

SELECTABLE WATTAGE	SELECTABLE KELVIN	MAX LUMEN OUTPUT	MAX EFFICACY (lm/W)	CRI	R9
25W	2700K	3,115	127	82.7	7
	3500K	3,148	129	83.8	23
	4000K	3,164	129	84.6	23
	5000K	3,197	131	82.2	19
	6500K	3,230	132	83.4	10
20W	2700K	2,654	133	82.7	7
	3500K	2,796	141	83.8	23
	4000K	2,869	144	84.6	23
	5000K	2,913	148	82.2	19
	6500K	2,883	144	83.4	10
10W	2700K	1,377	135	82.7	7
	3500K	1,454	137	83.8	23
	4000K	1,483	139	84.6	23
	5000K	1,541	146	82.2	19
	6500K	1,516	146	83.4	10

ESL-SPE-940-24-2545W-2765K-DS

SELECTABLE WATTAGE	SELECTABLE KELVIN	MAX LUMEN OUTPUT	MAX EFFICACY (lm/W)	CRI	R9
45W	2700K	5,720	126	82.3	5
	3500K	5,761	123	84.9	19
	4000K	5,781	124	85.5	25
	5000K	5,821	125	85.9	23
	6500K	5,860	126	84.3	15
35W	2700K	4,630	133	82.3	5
	3500K	4,980	141	84.9	19
	4000K	5,070	145	85.5	25
	5000K	5,191	148	85.9	23
	6500K	5,127	143	84.3	15
25W	2700K	3,408	137	82.3	5
	3500K	3,647	144	84.9	19
	4000K	3,721	147	85.5	25
	5000K	3,808	150	85.9	23
	6500K	3,773	147	84.3	15

ESL-SPE-940-24-4575W-2765K-DS

SELECTABLE WATTAGE	SELECTABLE KELVIN	MAX LUMEN OUTPUT	MAX EFFICACY (lm/W)	CRI	R9
75W	2700K	9,043	131	82.2	5
	3500K	9,176	132	86.2	23
	4000K	9,333	134	86.9	27
	5000K	9,326	133	85.9	23
	6500K	9,268	128	83.9	12
60W	2700K	7,476	134	82.2	5
	3500K	7,796	142	86.2	23
	4000K	7,921	145	86.9	27
	5000K	8,088	148	85.9	23
	6500K	8,245	145	83.9	12
45W	2700K	5,741	138	82.2	5
	3500K	5,935	144	86.2	23
	4000K	6,042	148	86.9	27
	5000K	6,168	151	85.9	23
	6500K	6,330	149	83.9	12