

Overview:

The ESL Vision ESL-ISS-MSEN-01 is a network-capable PIR occupancy and daylight harvesting sensor designed for quick installation into our IntelliSense™ quick connect lighting fixtures. With this sensor installed, the fixture becomes network-capable, allowing for powerful grouping with other fixtures and controls.

Project: _____

Date: _____

Catalog #: _____

Notes: _____

Key Features & Benefits:

- PIR Occupancy Sensing
- Daylight Harvesting
- Bluetooth Network Lighting Controls
- Wireless Commissioning
- Wireless Zoning/Grouping
- High & Low Trim Capable
- LLLC Capable



Product Specifications:

INPUT

Input Voltage: 12 VDC
 Input Current: 50mA Max
 Input Power: 0.3W
 Dimming: Class 2, 0–10 VDC, 10mA Max
 Sinking Current: 10mA Max

OUTPUT

Output Voltage: 10 VDC
 Output Current: 10mA Max
 Output Power: 0.1W

ENVIRONMENT

Housing Material: UL 94-5VA Plastic
 Location of Use: Indoor
 Detection Range: 40 Feet Max
 Mounting Height: 18 Feet Max
 Bluetooth Transmit Range: 100 Feet Max
 Radio Frequency: 2.4GHz ± 75MHz
 Operating Temperature: -22°F to 131°F (-30°C to 55°C)
 Storage Temperature: -22°F to 185°F (-30°C to 85°C)
 IP Rating: IP20

CERTIFICATIONS

Compliance: UL8750
 Bluetooth Version: 5.0
 Warranty: 5 Years



Ordering Guide:

ESL	FAMILY	TYPE	MODEL
ESL	ISS <small>(ISS) IntelliSense™ Series</small>	MSEN <small>(MSEN) MultiSense™</small>	01 <small>(01) Highbay Sensor</small>

Catalog Data:

ITEM #	DESCRIPTION
ESL-ISS-MSEN-01	MultiSense™ – Plug and Play 3 Wire networked PIR occupancy and daylight harvesting sensor
ESL-ISS-SSEN-01	SoloSense™ – Plug and Play 3 Wire PIR occupancy and daylight harvesting sensor

Installation:

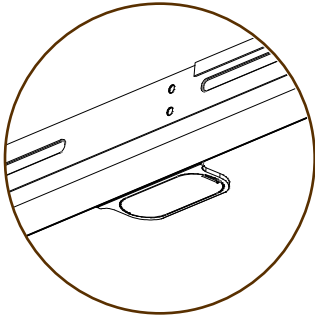


Fig. 1

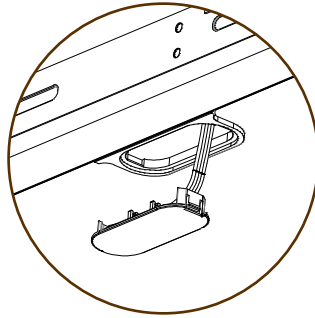


Fig. 2

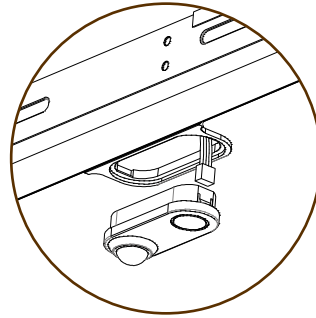


Fig. 3

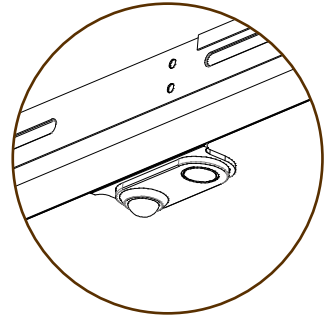


Fig. 4

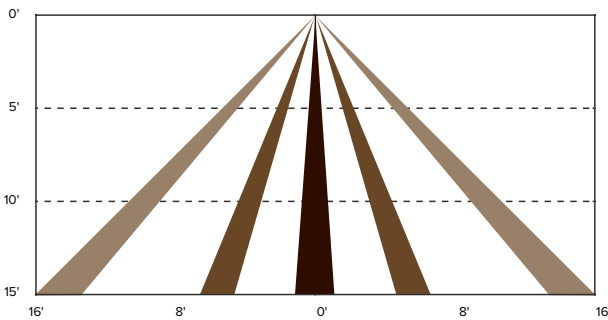
1 Remove the sensor plate from fixture's rim.

2 Remove the flat cable from the back of the plate.

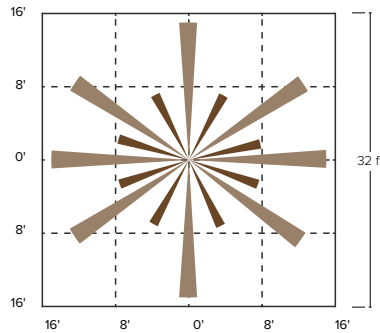
3 Insert the cable terminals into the approved sensor.

4 Snap the sensor into the fixture securely.

Coverage:

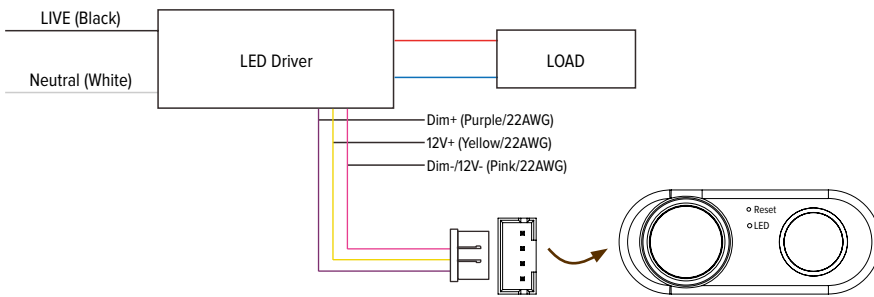


Side View Coverage



Top View Coverage

Wiring Diagram:



Dimensions:

IntelliSense™ Panel Sensors
ESL-ISS-MSEN-01 & ESL-ISS-SSEN-01

