

### Key Features & Benefits:

- PIR Occupancy Sensor
- NLC Capable Receptacle
- Customizable Light Settings:
  - Uplight
  - Downlight
  - Bi-Directional
- Kelvin and Wattage Selectable
- Built-In Patent-Pending Replaceable Photocell
- Quick-Mount Plate and Built-in Level
- Visual Comfort Lens
- 10kV Surge Protector
- Available in Bronze and White Finishes

### Product Specifications:

Selectable Wattage: 25W–45W–65W  
 Selectable Kelvin: 3000K–4000K–5000K  
 Lumens:  
 – Uplight: Up to 1,700 Max Lumens  
 – Downlight: Up to 6,500 Max Lumens  
 – Bi-Directional: Up to 9,100 Max Lumens  
 Efficacy: Up to 140 lm/W  
 Input Voltage: 120–277 VAC  
 Input Frequency: 50/60 Hz  
 Operating Temperature: -40°F to 104°F (-40°C to 40°C)  
 Dimming: 0–10V  
 CRI: >70  
 Warranty: 7 Years  
 L70 Lifetime 90,000 Hours calculated per TM21  
 Dimensions (LxWxH): 18.1" x 9.25" x 7.1"  
 Weight (lbs): 12.35



### Ordering Guide:

ESL	TYPE	SELECTABLE WATTAGE	GENERATION	SELECTABLE KELVIN	FINISH	OPTIONS
ESL	WPHM <small>(WPHM) Half-Moon Wallpack</small>	2565W <small>(2565W) 25W–45W–65W</small>	1 <small>(1) 1st Generation</small>	3050 <small>(3050) 3000K–4000K–5000K</small>	ff <small>(BZ) Bronze (WH) White</small>	

#### FACTORY INSTALLED OPTIONS

EM9 Emergency Backup Battery Unit, Auto Test Function, 9 Watts Output, 90 Minutes Minimum, 120–277 VAC Input, 10–300 VDC Output, Open Terminal Block Wiring, UL Listed for Factory or Field Install, Title 20

#### FIELD INSTALLED ACCESSORIES

ESL-ISS-MSEN-03 Network PIR + Daylight Sensor for Highbay or Outdoor Series  
 ESL-ISS-SSEN-03 Stand Alone PIR + Daylight Sensor for Highbay or Outdoor Series

### Catalog Data:

ITEM#	SELECTABLE WATTAGE	SELECTABLE KELVIN	MAX LUMEN OUTPUT	MAX EFFICACY (lm/w)	DIMENSIONS (LxWxH)
ESL-WPTP-2565W-13050-BZ	25W–45W–65W	3000K–4000K–5000K	8,060	124	9.25" x 16.5" x 7.1"
ESL-WPTP-2565W-13050-WH	25W–45W–65W	3000K–4000K–5000K	8,060	124	9.25" x 16.5" x 7.1"
ESL-WPHM-2565W-13050-BZ	25W–45W–65W	3000K–4000K–5000K	9,100	124	9.25" x 18.1" x 7.1"
ESL-WPHM-2565W-13050-WH	25W–45W–65W	3000K–4000K–5000K	9,100	124	9.25" x 18.1" x 7.1"

### FIELD INSTALLED SENSORS

ESL-ISS-SSEN-03	SoloSense™ – plug and play 4 wire stand alone PIR + daylight harvesting sensor
ESL-ISS-MSEN-03	MultiSense™ – plug and play 4 wire network PIR + daylight harvesting sensor



ESL-ISS-SSEN-03

#### SoloSense™ – PIR & Daylight Harvesting Sensor

- Stand alone lighting control
- Remote Programmable
- Occupancy sensing
- Vacancy sensing
- Daylight harvesting



ESL-ISS-MSEN-03

#### MultiSense™ – PIR & Daylight Harvesting Sensor

- Bluetooth network lighting control
- Wireless commissioning
- Wireless zoning/grouping
- High & low trim capable
- Occupancy sensing
- LLLC capable
- Vacancy sensing
- Daylight harvesting
- Scene & zone control

### FIELD INSTALLED MULTISENSE™ ACCESSORIES

ESL-ISS-PP-01	MutiSense™ network zone controller AC 120–277 VAC 20A
ESL-ISS-WS-B3B-01	MutiSense™ network wall switch battery powered 3 buttons
ESL-ISS-WS-A3B-01	MutiSense™ network wall switch AC powered 3 buttons
ESL-ISS-WS-B8B-01	MutiSense™ network wall switch battery powered 3 buttons
ESL-ISS-EMG-LC-01	MutiSense™ network AC emergency lighting controller 120–277 VAC UL924
ESL-ISS-MSEN-ACS-01	MutiSense™ network PIR ceiling sensor 120–277 VAC input 8A
ESL-ISS-MSEN-ACS-02	MutiSense™ network ceiling sensor dual mode PIR & ultrasonic 120–277 VAC
ESL-ISS-MSEN-BCS-01	MutiSense™ network ceiling sensor PIR & daylight harvesting battery power
ESL-ISS-GTW-01	MutiSense™ network ceiling sensor real time clock & energy monitoring dongle

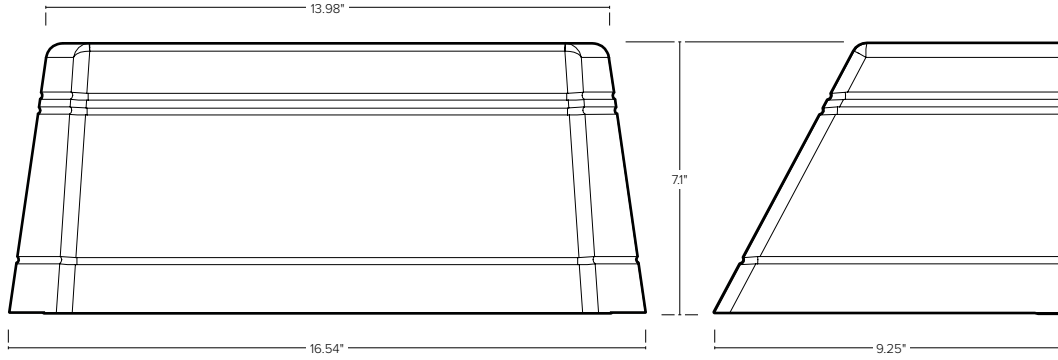
### Lumen Ambient Temperature (LAT) Multipliers:

AMBIENT		LUMEN MULTIPLIER
0 °C	32 °F	1.02
10 °C	50 °F	1.01
20 °C	68 °F	1.00
25 °C	77 °F	1.00
30 °C	86 °F	1.00
40 °C	104 °F	0.99
50 °C	122 °F	0.96



### Dimensions:

#### Geometric Wall Pack ESL-WPTP-2565W-13050-ff



#### Half-Moon Wall Pack ESL-WPHM-2565W-13050-ff

