

### Key Features & Benefits:

- PIR Occupancy Sensor
- NLC Capable Receptacle
- Kelvin and Wattage Selectable
- Built-In Patent-Pending Replaceable Photocell
- Quick-Mount Plate and Built-in Level
- Visual Comfort Lens
- 10kV Surge Protector
- Available in Bronze and White Finishes

Project: \_\_\_\_\_

Date: \_\_\_\_\_

Catalog #: \_\_\_\_\_

Notes: \_\_\_\_\_

### Product Specifications:

Selectable Wattage: 25W–45W–65W  
 Selectable Kelvin: 3000K–4000K–5000K  
 Lumens: Up to 9,100  
 Efficacy: Up to 140 lm/W  
 Input Voltage: 120–277 VAC  
 Input Frequency: 50/60 Hz  
 Operating Temperature: -40°F to 104°F (-40°C to 40°C)  
 Dimming: 0–10V  
 CRI: >70  
 Warranty: 7 Years  
 L70 Lifetime 90,000 Hours calculated per TM21  
 Dimensions (LxWxH): 16.54" x 9.25" x 7.1"  
 Weight (lbs): 11.9



### Ordering Guide:

| ESL | - | TYPE   | - | SELECTABLE WATTAGE                          | - | GENERATION                             | - | SELECTABLE KELVIN                               | - | FINISH  | - | OPTIONS |
|-----|---|--|---|---|---|--|---|---|---|---|---|---------|
| ESL | - | WPTP<br><small>(WPTP) Geometric Wallpack</small> | - | 2565W<br><small>(2565W) 25W–45W–65W</small> | - | 1<br><small>(1) 1st Generation</small> | - | 3050<br><small>(3050) 3000K–4000K–5000K</small> | - | ff<br><small>(BZ) Bronze<br/>(WH) White</small> | - |         |

#### FACTORY INSTALLED OPTIONS

EM9 Emergency Backup Battery Unit, Auto Test Function, 9 Watts Output, 90 Minutes Minimum, 120–277 VAC Input, 10–300 VDC Output, Open Terminal Block Wiring, UL Listed for Factory or Field Install, Title 20

#### FIELD INSTALLED ACCESSORIES

ESL-ISS-MSEN-03 Network PIR + Daylight Sensor for Highbay or Outdoor Series

ESL-ISS-SSEN-03 Stand Alone PIR + Daylight Sensor for Highbay or Outdoor Series

### Catalog Data:

| ITEM#                   | SELECTABLE WATTAGE | SELECTABLE KELVIN | MAX LUMEN OUTPUT | MAX EFFICACY (lm/w) | DIMENSIONS (LxWxH)   |
|-------------------------|--------------------|-------------------|------------------|---------------------|----------------------|
| ESL-WPTP-2565W-13050-BZ | 25W–45W–65W        | 3000K–4000K–5000K | 8,060            | 124                 | 9.25" x 16.5" x 7.1" |
| ESL-WPTP-2565W-13050-WH | 25W–45W–65W        | 3000K–4000K–5000K | 8,060            | 124                 | 9.25" x 16.5" x 7.1" |
| ESL-WPHM-2565W-13050-BZ | 25W–45W–65W        | 3000K–4000K–5000K | 9,100            | 124                 | 9.25" x 18.1" x 7.1" |
| ESL-WPHM-2565W-13050-WH | 25W–45W–65W        | 3000K–4000K–5000K | 9,100            | 124                 | 9.25" x 18.1" x 7.1" |

### FIELD INSTALLED SENSORS

|                 |  |
|-----------------|--|
| ESL-ISS-SSEN-03 | SoloSense™ – plug and play 4 wire stand alone PIR + daylight harvesting sensor |
| ESL-ISS-MSEN-03 | MultiSense™ – plug and play 4 wire network PIR + daylight harvesting sensor    |



ESL-ISS-SSEN-03

#### SoloSense™ – PIR & Daylight Harvesting Sensor

- Stand alone lighting control
- Remote Programmable
- Occupancy sensing
- Vacancy sensing
- Daylight harvesting



ESL-ISS-MSEN-03

#### MultiSense™ – PIR & Daylight Harvesting Sensor

- Bluetooth network lighting control
- Wireless commissioning
- Wireless zoning/grouping
- High & low trim capable
- Occupancy sensing
- LLLC capable
- Vacancy sensing
- Daylight harvesting
- Scene & zone control

### FIELD INSTALLED MULTISENSE™ ACCESSORIES

|                     |   |
|---------------------|---|
| ESL-ISS-PP-01       | MultiSense™ network zone controller AC 120–277 VAC 20A                        |
| ESL-ISS-WS-B3B-01   | MultiSense™ network wall switch battery powered 3 buttons                     |
| ESL-ISS-WS-A3B-01   | MultiSense™ network wall switch AC powered 3 buttons                          |
| ESL-ISS-WS-B8B-01   | MultiSense™ network wall switch battery powered 3 buttons                     |
| ESL-ISS-EMG-LC-01   | MultiSense™ network AC emergency lighting controller 120–277 VAC UL924        |
| ESL-ISS-MSEN-ACS-01 | MultiSense™ network PIR ceiling sensor 120–277 VAC input 8A                   |
| ESL-ISS-MSEN-ACS-02 | MultiSense™ network ceiling sensor dual mode PIR & ultrasonic 120–277 VAC     |
| ESL-ISS-MSEN-BCS-01 | MultiSense™ network ceiling sensor PIR & daylight harvesting battery power    |
| ESL-ISS-GTW-01      | MultiSense™ network ceiling sensor real time clock & energy monitoring dongle |

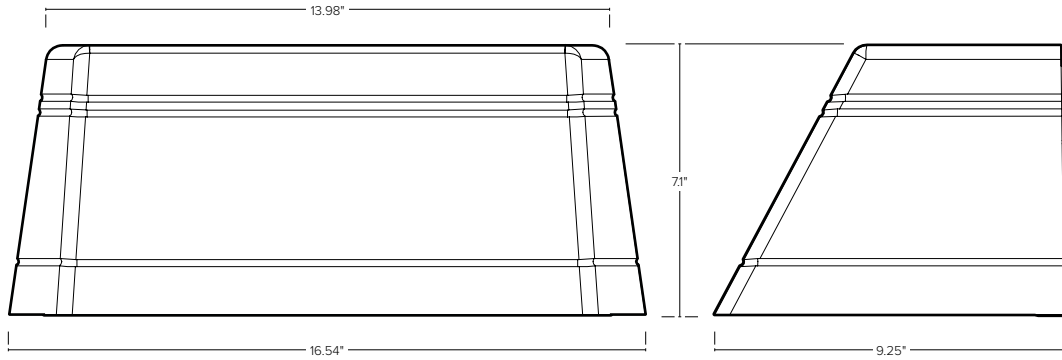
### Lumen Ambient Temperature (LAT) Multipliers:

| AMBIENT |        | LUMEN MULTIPLIER |
|---------|--------|------------------|
| 0 °C    | 32 °F  | 1.02             |
| 10 °C   | 50 °F  | 1.01             |
| 20 °C   | 68 °F  | 1.00             |
| 25 °C   | 77 °F  | 1.00             |
| 30 °C   | 86 °F  | 1.00             |
| 40 °C   | 104 °F | 0.99             |
| 50 °C   | 122 °F | 0.96             |



### Dimensions:

#### Geometric Wall Pack ESL-WPTP-2565W-13050-ff



#### Half-Moon Wall Pack ESL-WPHM-2565W-13050-ff

