

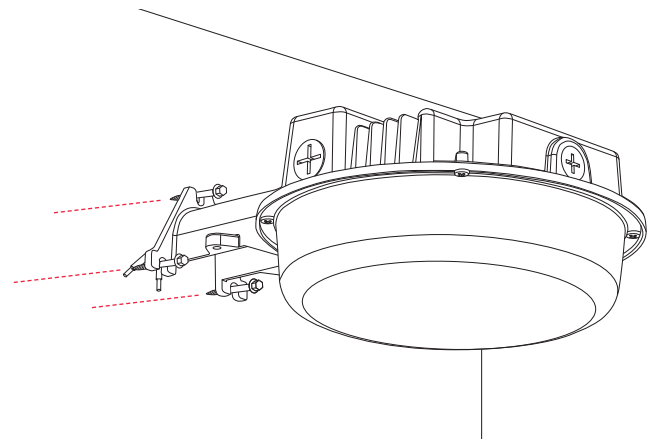
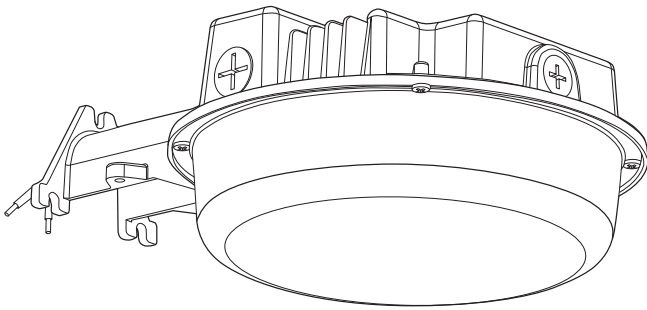
⚠ WARNING

1. To avoid electric shock, disconnect power at source prior to installation.
2. The installation should be performed by qualified electricians or lighting technicians.
3. Before installation, maintenance, or removal, disable all power.
4. Do not touch the fixture while it is in service.
5. If there is any problem with the fixture, turn off power and **DO NOT** attempt repair unless you are a qualified technician or the customer service member.

Wall Mount Installation

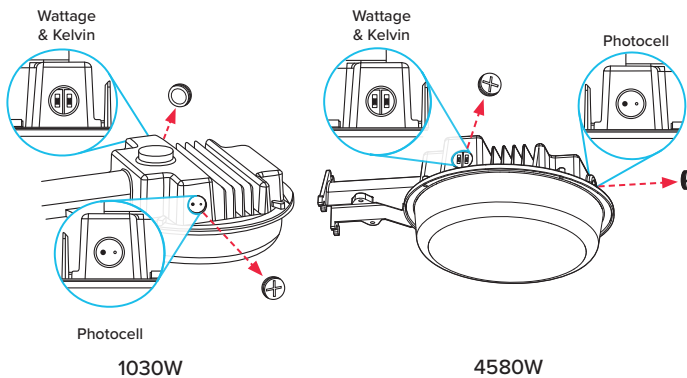
Tools Needed: #2 Phillips Head Screwdriver
8mm Hex Socket

Wire Cutters
Wire Strippers



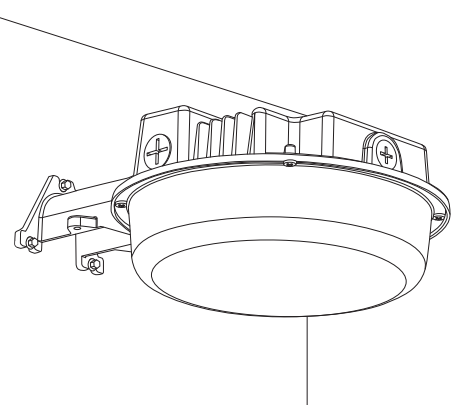
1 Select a suitable mounting location near a junction box. The hardware provided is for mounting to a wood surface, however if mounting to another type of surface use appropriate hardware.

2 Mark and drill holes for the mounting screws in line with the fixture's screw slots. Attach the fixture to the mounting surface using the included screws or other appropriate hardware. Wire the fixture according to the Wiring Diagram on Page 2.



3 Remove the side access plugs to access the Wattage and Kelvin controls, and the photocell. To adjust Wattage and Kelvin, slide each switch to the desired setting and replace the plug securely.

4 Turn the supply power on and test the fixture to ensure that it functions properly.

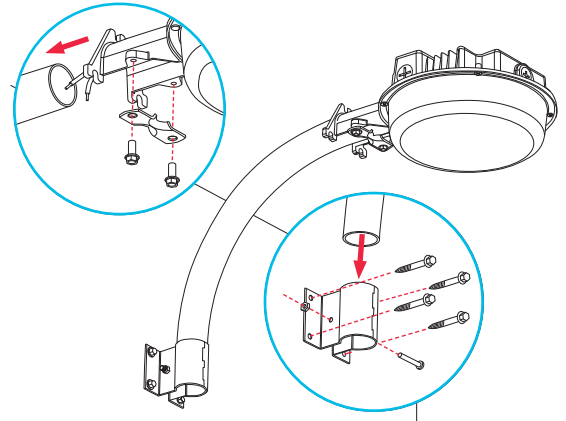
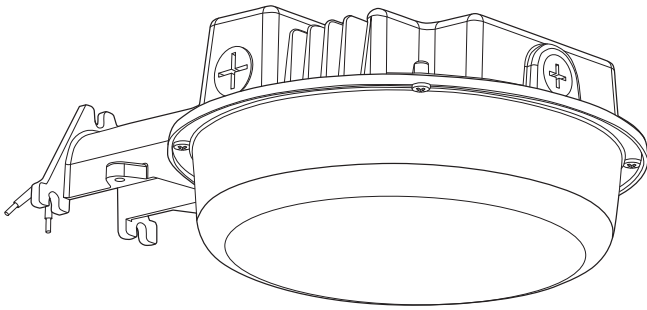


Pole Mount Installation

Tools Needed: #2 Phillips Head Screwdriver
8mm Hex Socket

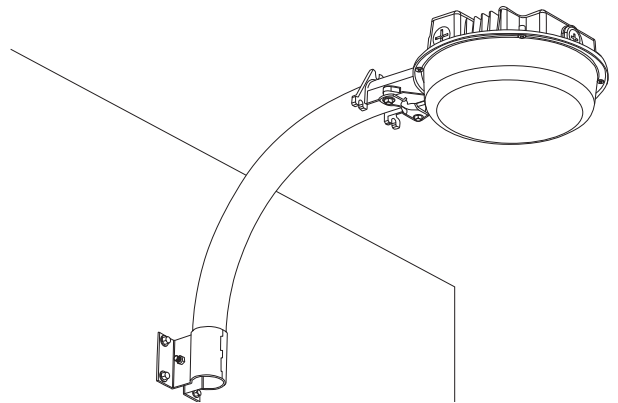
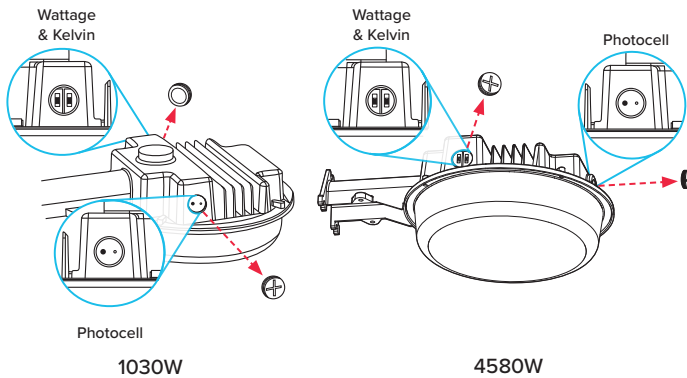
#2 Flat Head Screwdriver
10mm Hex Socket

Wire Cutters
Wire Strippers



1 Select a suitable mounting location near a junction box. The hardware provided is for mounting to a wood surface, however if mounting to another type of surface use appropriate hardware.

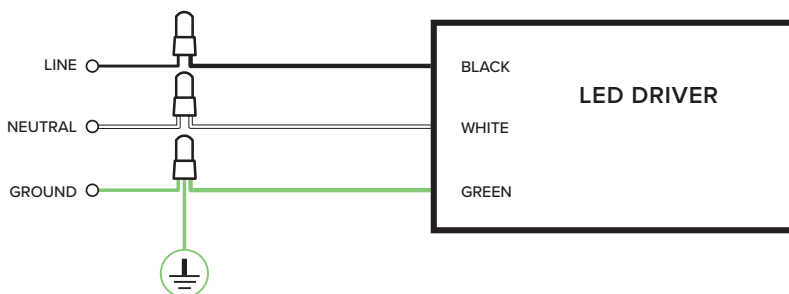
2 Mark and drill holes for the pole arm bracket. Attach the assembly to the mounting surface using appropriate hardware. Wire the fixture according to the Wiring Diagram below.



3 Remove the side access plugs to access the Wattage and Kelvin controls, and the photocell. Slide each switch to the desired setting and replace the plug securely.

4 Turn the supply power on and test the fixture to ensure that it functions properly.

Wiring Diagram



Note: This fixture is provided with a power cord. When wiring to a junction box, a waterproof connector must be used to prevent ingress.