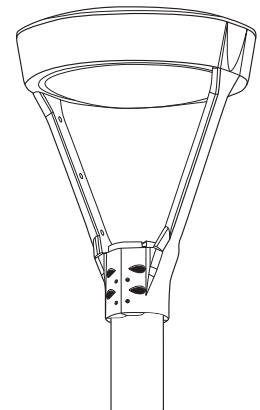
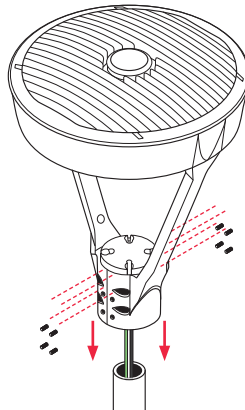
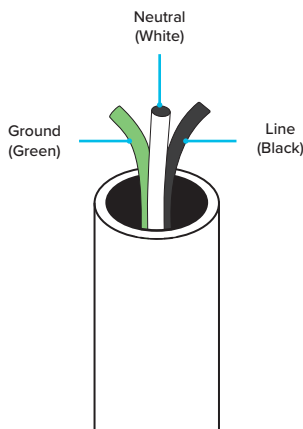


⚠ WARNING

1. To avoid electric shock, disconnect power at source prior to installation.
2. The installation should be performed by qualified electricians or lighting technicians.
3. Before installation, maintenance, or removal, disable all power.
4. Do not touch the fixture while it is in service.
5. If there is any problem with the fixture, turn off power and **DO NOT** attempt repair unless you are a qualified technician or the customer service member.

Standard Installation

Please note: This fixture is intended to be mounted on a heavy-duty pipe or tenon with a maximum outer dimension of 2³/₈" (60mm).

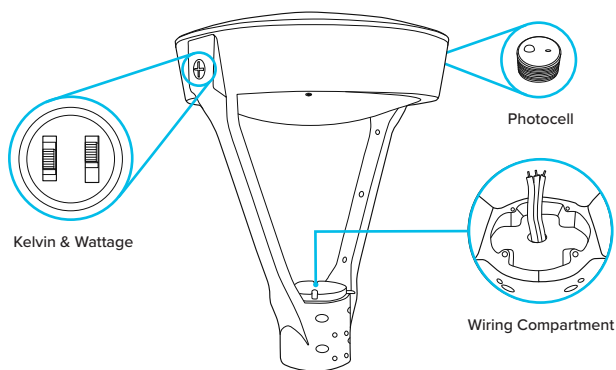


1 With the power disconnected, pass 3 wires into the post top tenon or pipe. Make wire connections as shown in the Wiring Diagram (below).

2 Position fixture on post top tenon or pipe. Tighten down all 8 allen head set screws to 6 ft-lbs (72 in-lbs).

3 Restore power and check to make sure the fixture is functioning properly.

Access Port Overview



Kelvin & wattage adjustment, the photocell receptacle, and the wiring compartment are easily accessed via side access plugs on the body of the fixture.

Wiring Diagram

