

Product Features:

- Secure mount kit for your Linear High Bays

Project: _____

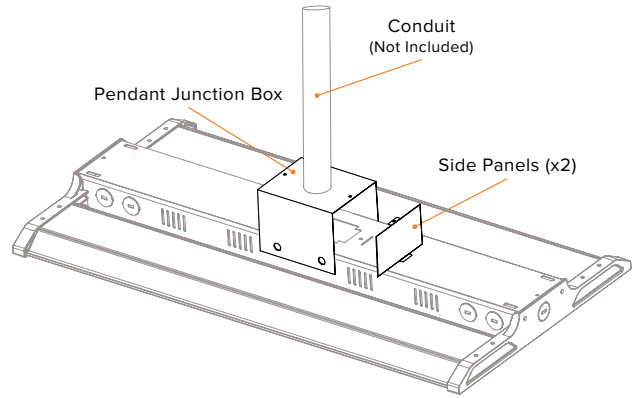
Date: _____

Catalog #: _____

Notes: _____

Ordering Guide:

ESL	FAMILY	GENERATION	TYPE
ESL	LHB (LHB) Linear High Bay	4 (4) 4 th Generation	PM-01 (PM-01) Pendant Mount for LHB4

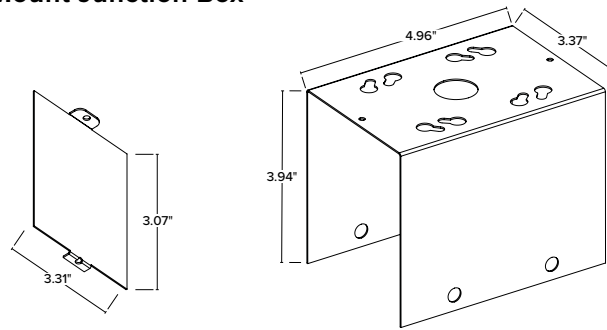


Catalog Data:

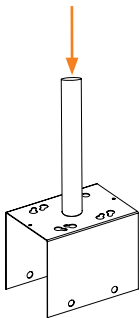
ITEM#	DESCRIPTION	DIMENSIONS
ESL-LHB4-PM-01	Pendant Mount for LHB4	3.94" x 4.96" x 3.37"

Dimensions:

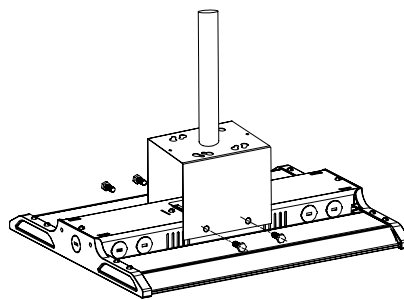
LHB Pendant Mount Junction Box
ESL-LHB4-PM-1



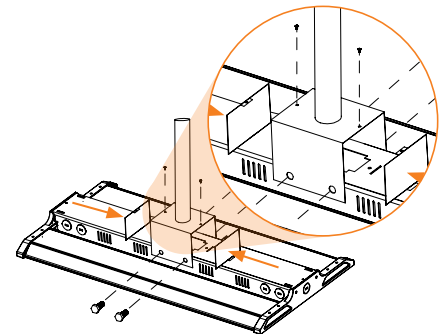
Installation Guide:



1 Mount bracket to 1/2" NPS thread conduit, feed wires through conduit.



2 Mount fixture to junction box bracket with the supplied bolts (x4), connect wires to fixture.



3 Put wires back into junction box, install side panels with supplied screws (x2).