

Key Features & Benefits:

- Kelvin and Wattage Selectable
- Die-Cast Aluminum Housing
- High Quality PC Lens
- IP65 Rated

Product Specifications:

Selectable Wattage: 100W–120W–150W
 Selectable Kelvin: 3000K–4000K–5000K
 Lumen Output: Up to 25,500 Lumens
 Efficacy (lm/W): Up to 170 Lumens per Watt
 Dimming: 0–10V Dimming
 CRI: >80
 Power Frequency: 50/60Hz
 Power Factor: >0.97@120 VAC, >0.92@277 VAC
 Operating Temperature: -40°F to 122°F (-40°C to 50°C)
 Input Voltage: 120–277 VAC
 Estimated L70 Lifetime 120,000 hrs Calculated Per TM21
 Warranty: 5 Year Warranty
 Product Weight (lbs): 6.2
 Dimensions: 16.63" x 8.66" x 2.07"
 Default Settings: 150W, 4000K

Project: _____

Date: _____

Catalog #: _____

Notes: _____



Ordering Guide:

ESL	TYPE	SELECTABLE WATTAGE	GEN	SELECTABLE KELVIN	FINISH	LENS	VOLTAGE
ESL	AL <small>(AL) Area Light</small>	100150W <small>(100150W) 100W–120W–150W (200300W) 200W–240W–300W</small>	D1 <small>(D1) 1st Gen</small>	3050 <small>(3050) 3000K–4000K–5000K</small>	BZ <small>(BZ) Bronze</small>	T3 <small>(T3) Default</small>	 <small>(Blank) Standard (HV) High Voltage</small>

FIELD INSTALLED ACCESSORIES

ESL-ALD1-BZSF*	Slip Fitter Mount
ESL-ALD1-BZUDM*	Direct Mount
ESL-ALD1-BZTM*	Trunnion Mount

* Mounts Sold Separately

Catalog Data:

ITEM#	SELECTABLE WATTAGE	SELECTABLE KELVIN	VOLTAGE	MAX LUMEN OUTPUT	EFFICACY (lm/W)	DIMENSIONS
ESL-AL-100150W-D13050-BZ-T3	100W-120W-150W	3000K-4000K-5000K	122-277 VAC	25,500	170	16.63" x 8.66" x 2.07"
ESL-AL-200300W-D13050-BZ-T3	200W-240W-300W	3000K-4000K-5000K		51,000	170	20.05" x 11.89" x 2.07"
ESL-AL-100150W-D13050-BZ-T3-HV	100W-120W-150W	3000K-4000K-5000K	277-480 VAC	25,500	170	16.63" x 8.66" x 2.07"
ESL-AL-200300W-D13050-BZ-T3-HV	200W-240W-300W	3000K-4000K-5000K		51,000	170	20.05" x 11.89" x 2.07"

Electrical Load – Standard Voltage:

SYSTEM WATTS	INPUT CURRENT				INPUT WATTAGE	INPUT FREQUENCY	POWER FACTOR	THD	OPERATING TEMPERATURE	SURGE PROTECTION	DIMMING
	120 VAC	208 VAC	240 VAC	277 VAC							
100	0.83	0.48	0.42	0.36	120-277 VAC	50/60 Hz	>0.97@120 VAC >0.92@277 VAC	<20%	-40°F to 122°F (-40°C to 50°C)	6kV Driver	0-10V Dim to Off
120	1.00	0.58	0.50	0.43							
150	1.25	0.72	0.63	0.54							
200	1.67	0.96	0.83	0.72							
240	2	1.15	1	0.87							
300	2.5	1.44	1.25	1.08							

Electrical Load – High Voltage:

SYSTEM WATTS	INPUT CURRENT			INPUT WATTAGE	INPUT FREQUENCY	POWER FACTOR	THD	OPERATING TEMPERATURE	SURGE PROTECTION	DIMMING
	277 VAC	347 VAC	480 VAC							
100	0.36	0.28	0.21	277-480 VAC	50/60 Hz	>0.95@277 VAC >0.90@480 VAC	<20%	-40°F to 122°F (-40°C to 50°C)	6kV Driver	0-10V Dim to Off
120	0.43	0.35	0.25							
150	0.54	0.43	0.31							
200	0.72	0.58	0.42							
240	0.87	0.69	0.50							
300	1.08	0.86	0.63							

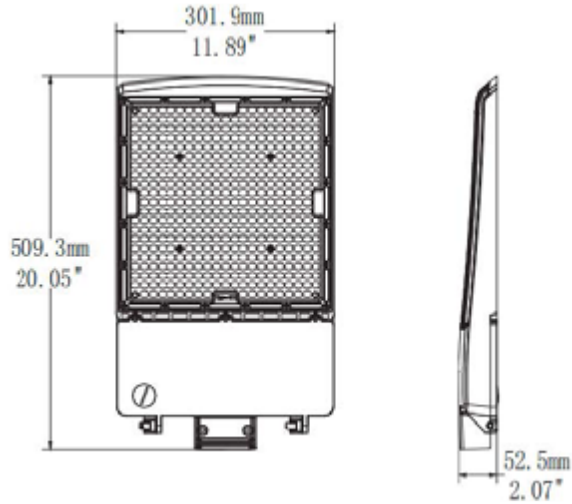
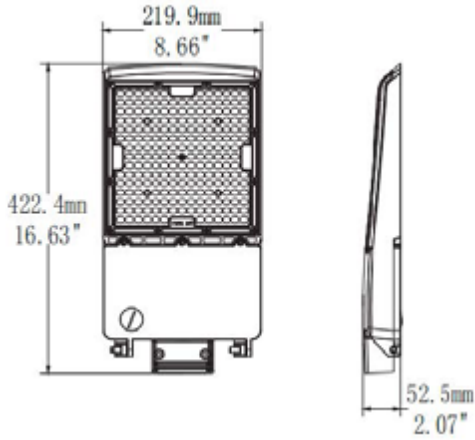
Lumen Ambient Temperature (LAT) Multipliers:

AMBIENT	LUMEN MULTIPLIER
0 °C / 32 °F	1.02
10 °C / 50 °F	1.01
20 °C / 68 °F	1.00
25 °C / 77 °F	1.00
30 °C / 86 °F	1.00
40 °C / 104 °F	0.99
50 °C / 122 °F	0.96

Dimensions:

**ESL-AL-100150W-D13050-BZ-T3 &
ESL-AL-100150W-D13050-BZ-T3-HV**

**ESL-AL-200300W-D13050-BZ-T3 &
ESL-AL-200300W-D13050-BZ-T3-HV**



Mounts:

Slip Fitter (SF)
ESL-ALD1-BZSF



Direct Mount (DM)
ESL-ALD1-BZUDM



Trunnion Mount (TM)
ESL-ALD1-BZTM

