

Key Features & Benefits:

- Kelvin and Wattage Selectable
- Die-Cast Aluminum Housing
- High Quality PC Lens
- IP65 Rated

Product Specifications:

Selectable Wattage: 200W–240W–300W
 Selectable Kelvin: 3000K–4000K–5000K
 Lumen Output: Up to 51,000 Lumens
 Efficacy (lm/W): Up to 170 Lumens per Watt
 Dimming: 0–10V Dimming
 CRI: >80
 Power Frequency: 50/60Hz
 Power Factor: >0.97@120 VAC, >0.92@277 VAC
 Operating Temperature: -40°F to 122°F (-40°C to 50°C)
 Input Voltage: 277–480 VAC
 Estimated L70 Lifetime 120,000 hrs Calculated Per TM21
 Warranty: 5 Year Warranty
 Product Weight (lbs): 6.2
 Dimensions: 20.05" x 11.89" x 2.07"
 Default Settings: 300W, 4000K

Project: _____ Date: _____
 Catalog #: _____
 Notes: _____



Ordering Guide:

ESL	TYPE	SELECTABLE WATTAGE	GEN	SELECTABLE KELVIN	FINISH	LENS	VOLTAGE
ESL	AL (AL) Area Light	200300W (100150W) 100W–120W–150W (200300W) 200W–240W–300W	D1 (D1) 1st Gen	3050 (3050) 3000K–4000K–5000K	BZ (BZ) Bronze	T3 (T3) Default	HV (Blank) Standard (HV) High Voltage

FIELD INSTALLED ACCESSORIES

ESL-ALD1-BZSF*	Slip Fitter Mount
ESL-ALD1-BZUDM*	Direct Mount
ESL-ALD1-BZTM*	Trunnion Mount

* Mounts Sold Separately

Catalog Data:

ITEM#	SELECTABLE WATTAGE	SELECTABLE KELVIN	VOLTAGE	MAX LUMEN OUTPUT	EFFICACY (lm/W)	DIMENSIONS
ESL-AL-100150W-D13050-BZ-T3	100W-120W-150W	3000K-4000K-5000K	122-277 VAC	25,500	170	16.63" x 8.66" x 2.07"
ESL-AL-200300W-D13050-BZ-T3	200W-240W-300W	3000K-4000K-5000K		51,000	170	20.05" x 11.89" x 2.07"
ESL-AL-100150W-D13050-BZ-T3-HV	100W-120W-150W	3000K-4000K-5000K	277-480 VAC	25,500	170	16.63" x 8.66" x 2.07"
ESL-AL-200300W-D13050-BZ-T3-HV	200W-240W-300W	3000K-4000K-5000K		51,000	170	20.05" x 11.89" x 2.07"

Electrical Load – Standard Voltage:

SYSTEM WATTS	INPUT CURRENT				INPUT WATTAGE	INPUT FREQUENCY	POWER FACTOR	THD	OPERATING TEMPERATURE	SURGE PROTECTION	DIMMING
	120 VAC	208 VAC	240 VAC	277 VAC							
100	0.83	0.48	0.42	0.36	120-277 VAC	50/60 Hz	>0.97@120 VAC >0.92@277 VAC	<20%	-40°F to 122°F (-40°C to 50°C)	6kV Driver	0-10V Dim to Off
120	1.00	0.58	0.50	0.43							
150	1.25	0.72	0.63	0.54							
200	1.67	0.96	0.83	0.72							
240	2	1.15	1	0.87							
300	2.5	1.44	1.25	1.08							

Electrical Load – High Voltage:

SYSTEM WATTS	INPUT CURRENT			INPUT WATTAGE	INPUT FREQUENCY	POWER FACTOR	THD	OPERATING TEMPERATURE	SURGE PROTECTION	DIMMING
	277 VAC	347 VAC	480 VAC							
100	0.36	0.28	0.21	277-480 VAC	50/60 Hz	>0.95@277 VAC >0.90@480 VAC	<20%	-40°F to 122°F (-40°C to 50°C)	6kV Driver	0-10V Dim to Off
120	0.43	0.35	0.25							
150	0.54	0.43	0.31							
200	0.72	0.58	0.42							
240	0.87	0.69	0.50							
300	1.08	0.86	0.63							

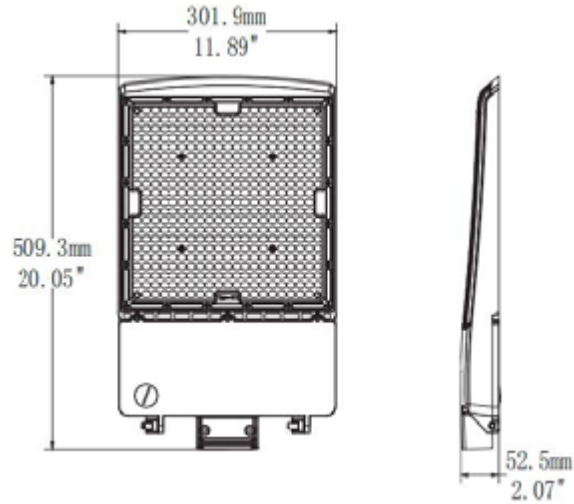
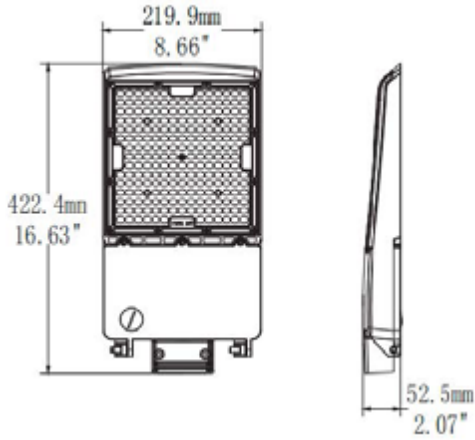
Lumen Ambient Temperature (LAT) Multipliers:

AMBIENT	LUMEN MULTIPLIER
0 °C / 32 °F	1.02
10 °C / 50 °F	1.01
20 °C / 68 °F	1.00
25 °C / 77 °F	1.00
30 °C / 86 °F	1.00
40 °C / 104 °F	0.99
50 °C / 122 °F	0.96

Dimensions:

**ESL-AL-100150W-D13050-BZ-T3 &
ESL-AL-100150W-D13050-BZ-T3-HV**

**ESL-AL-200300W-D13050-BZ-T3 &
ESL-AL-200300W-D13050-BZ-T3-HV**



Mounts:

Slip Fitter (SF)
ESL-ALD1-BZSF



Direct Mount (DM)
ESL-ALD1-BZUDM



Trunnion Mount (TM)
ESL-ALD1-BZTM

